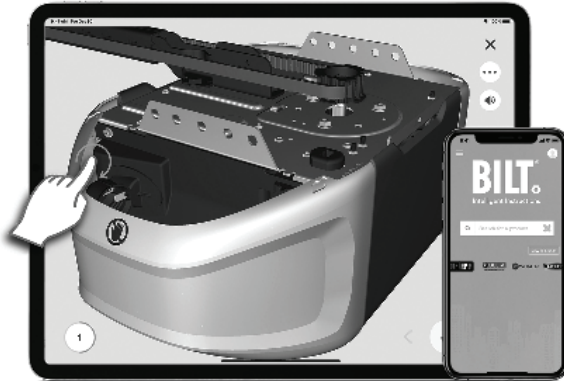


CHAMBERLAIN

Easy step-by-step interactive 3D instructions

for this product can be found in



BILT® INTELLIGENT INSTRUCTIONS

Download the free BILT App
before assembly

SCAN FOR BILT 3D INSTRUCTIONS



SCAN FOR BILT 3D INSTRUCTIONS

Download the free myQ® App



Monitor and control your garage from anywhere and
get real-time alerts with peace of mind.



Available on most iOS and Android Devices

Installation Manual Inside

Installation Manual

Belt Drive Garage Door Opener

Models B2202 • B2210T • B2211T • B2212T •
B2215T • B2401 • B2405 • B353 • B4505T
FOR RESIDENTIAL USE ONLY

PRE-PROGRAMMED REMOTE
CONTROL INCLUDED

To register your garage door opener to receive
updates and offers from Chamberlain, visit
chamberlain.registria.com or use the icon below:



1. Take a photo of the camera icon including the points (●).
2. Send it in by texting the photo to 71403 (US).



- Please read this manual and the enclosed safety materials carefully!
- Fasten the manual near the garage door after installation.
- The door **WILL NOT CLOSE** unless the Protector System® is connected and properly aligned.
- Periodic checks of the garage door opener are required to ensure safe operation.
- The model number label is located on the left side panel of your garage door opener.
- This garage door opener is compatible with myQ® and Security+ 2.0® accessories.
- **DO NOT** install on a one-piece door if using devices or features providing unattended close. Unattended devices and features are to be used **ONLY** with sectional doors.



Download the myQ®
App



Available on most iOS and Android Devices

Contents

Preparation	5
Assembly	9
Installation	14
Install the Door Control	24
Install the Protector System®	27
Connect Power	31
Adjustments	33
Battery Backup	36
myQ® App Control	37
Connect With Your Smartphone	37
Operation	38
Using your Garage Door Opener	38
Using your Door Control.....	39
Remote Control and Keyless Entry.....	41
HomeLink®.....	41
Erase the Memory.....	42
To Open the Door Manually.....	42
Maintenance	43
Troubleshooting	44
Warranty	46
Automatic Garage Door Opener Safety & Maintenance Guide	47
Repair Parts	49
Rail Assembly Parts	49
Installation Parts	49
Models B2202, B2401, B2405, and B353	50
Models B2210T, B2211T, B2212T, B2215T, and B4505T	51

Safety Symbol and Signal Word Review

This garage door opener has been designed and tested to offer safe service provided it is installed, operated, maintained, and tested in strict accordance with the instructions and warnings contained in this manual.

 **WARNING**

Mechanical

 **WARNING**

Electrical

When you see these Safety Symbols and Signal Words on the following pages, they will alert you to the possibility of **serious injury or death** if you do not comply with the warnings that accompany them. The hazard may come from something mechanical or from electric shock. Read the warnings carefully.

 **CAUTION**

When you see this Signal Word on the following pages, it will alert you to the possibility of damage to your garage door and/or the garage door opener if you do not comply with the cautionary statements that accompany it. Read them carefully.



WARNING: This product can expose you to chemicals including lead, which are known to the State of California to cause cancer or birth defects or other reproductive harm. For more information go to www.P65Warnings.ca.gov

Unattended Operation

The Timer-to-Close (TTC) feature, the myQ® App, and myQ® Garage Door and Gate Monitor are examples of unattended close and are to be used ONLY with sectional doors. Any device or feature that allows the door to close without being in the line of sight of the door is considered unattended close. The Timer-to-Close (TTC) feature, the myQ® App, and any other myQ® devices are to be used ONLY with sectional doors.

The images throughout this manual are for reference only and your product may look different.

Preparation

Check the Door

WARNING

To prevent possible **SERIOUS INJURY** or **DEATH**:

- ALWAYS call a trained door systems technician if garage door binds, sticks, or is out of balance. An unbalanced garage door may NOT reverse when required.
- NEVER try to loosen, move or adjust garage door, door springs, cables, pulleys, brackets, or their hardware, ALL of which are under **EXTREME** tension.
- Disable ALL locks and remove ALL ropes connected to garage door BEFORE installation and operating garage door opener to avoid entanglement.
- DO NOT install on a one-piece door if using devices or features providing unattended close. Unattended devices and features are to be used **ONLY** with sectional doors.

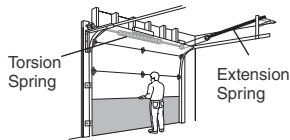
CAUTION

To prevent damage to garage door and opener:

- ALWAYS disable locks BEFORE installing and operating the opener.
- **ONLY** operate garage door opener at 120V, 60 Hz to avoid malfunction and damage.

Before you begin:

1. Disable locks and remove any ropes connected to the garage door.
2. Lift the door halfway up. Release the door. If balanced, it should stay in place, supported entirely by its springs.
3. Raise and lower the door to check for binding or sticking. If your door binds, sticks, or is out of balance, call a trained door systems technician.
4. Check the seal on the bottom of the door. Any gap between the floor and the bottom of the door must not exceed 1/4" (6 mm). Otherwise, the safety reversal system may not work properly.
5. The opener should be installed above the center of the door. If there is a torsion spring or center bearing plate in the way of the header bracket, it may be installed within 4 feet (1.2 m) to the left or right of the door center. See page 15.



Before You Connect with Your Smartphone

Monitor and control your garage door from anywhere using the myQ® App. You will need a router with Wi-Fi® and a smartphone or other mobile device. Make sure your mobile device is connected to your Wi-Fi® network. Hold your mobile device in the place where your garage door opener will be installed and check the Wi-Fi® signal strength.



Check Signal Strength. If you see:



Wi-Fi signal is strong. You're all set!
Install your new garage door opener.

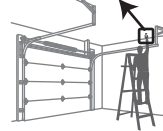


Wi-Fi signal is weak.
The garage door opener will likely connect to your Wi-Fi network. If not, try one of the options below.



No Wi-Fi signal. Try one of the following:

- Move your router closer to the garage door opener to minimize interference from walls and other objects.
- Buy a Wi-Fi range extender.

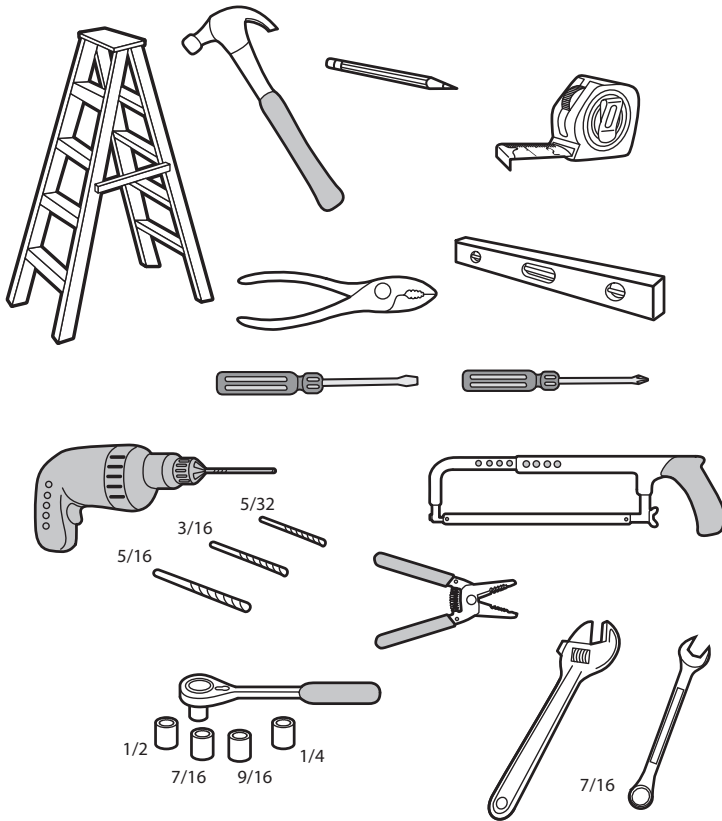


Visit support.chamberlaingroup.com for more details.

See myQ® App Control page 37 to connect your garage door opener to your Wi-Fi® network.

Preparation

Tools Needed

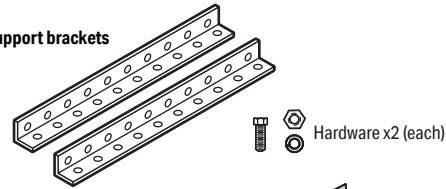


Additional Items You May Need:

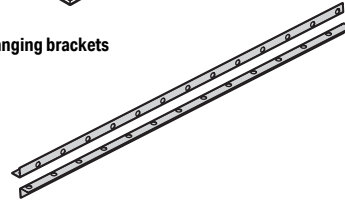
Survey your garage area to see if you will need any of the following items:

- **(2)2x4 Pieces of wood:** May be used to fasten the header bracket to the structural supports. Also used to position the garage door opener during installation and for testing the safety reversing sensors.
- **Support bracket and fastening hardware:** Must be used if you have a finished ceiling in your garage.

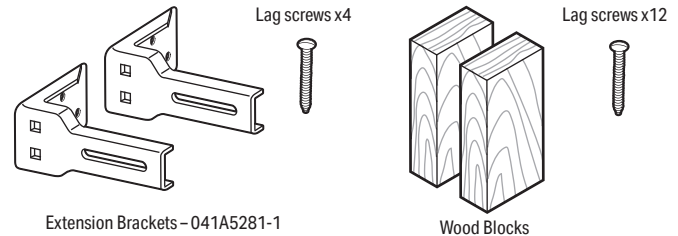
• Support brackets



• Hanging brackets



- **Extension brackets (Model 041A5281-1) or wood blocks:** Depending upon garage construction, extension brackets or wood blocks may be needed to install the safety reversing sensor.



- **Fastening hardware:** Alternate floor mounting of the safety reversing sensor will require hardware not provided.
- **Door reinforcement:** Required if you have a light weight steel, aluminum, fiberglass, or glass panel door.
- **Rail extension kit:** Required if your garage door is more than 7 feet (2.13 m) high.

Preparation

Carton Inventory

Save the carton and packing material until the installation and adjustment is complete. Instructions for the accessories will be attached to the accessory and are not included in this manual. The images throughout this manual are for reference only and your product may look different.

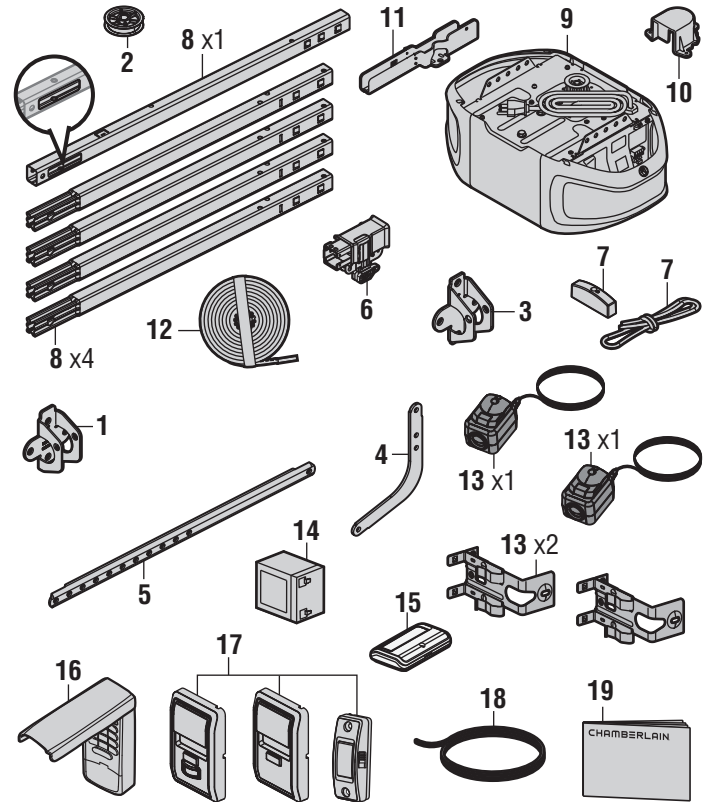
- Header bracket
- Pulley
- Door bracket
- Curved door arm
- Straight door arm
(Packaged inside front rail section)
- Trolley
- Emergency release rope and handle
- Rail (1 front and 4 center sections)
- Garage door opener (motor unit)
- Sprocket cover and screws
- "U" bracket
- Belt
- The Protector System®**
Safety reversing sensors with 2 conductor white and white/black wire attached: sending sensor (1), receiving sensor (1), and safety sensor brackets (2)
- Battery Backup - Model B2210T, B2212T, and B2215T
- Remote control
- Wireless keypad - Models B2215T, B2405, and B4505T
- Push Button Door Control - Models B2202, B2210T, B2211T, B2212T, B2401, and B353
Multi-Function Control Panel - Models B2215T and B2405
Motion Detecting Control Panel - Model B4505T
- White and red/white wire
- Installation manual and all warning labels

See Hardware page 8.

Go to chamberlain.com for replacement or additional accessories:

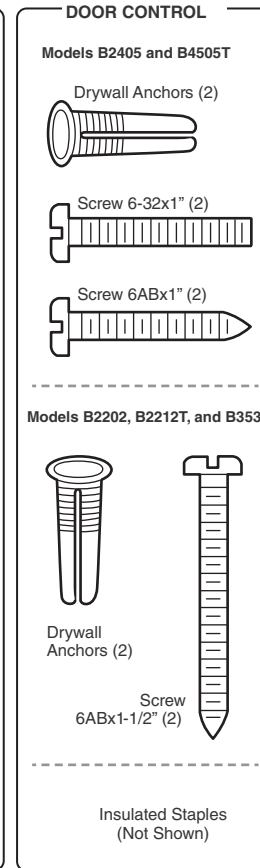
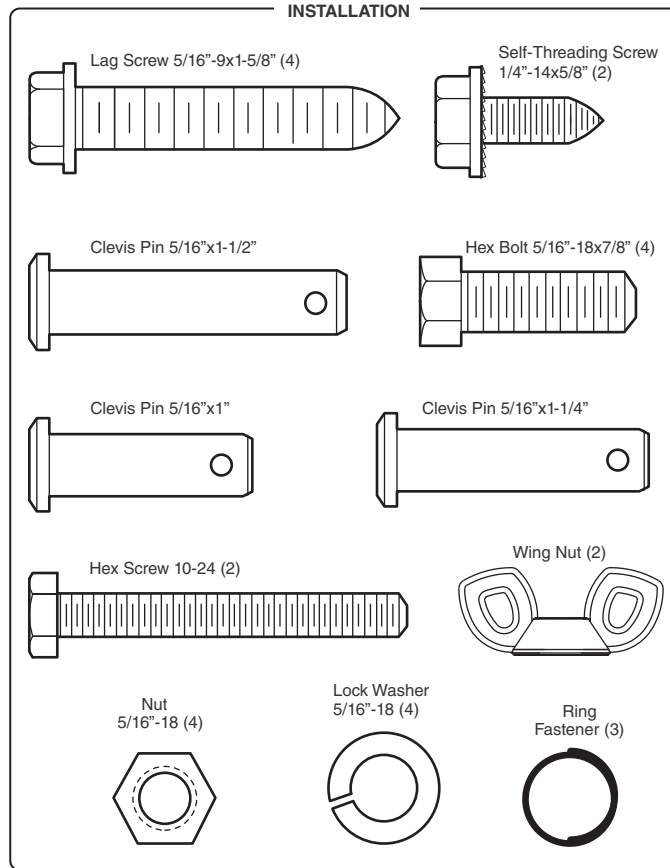
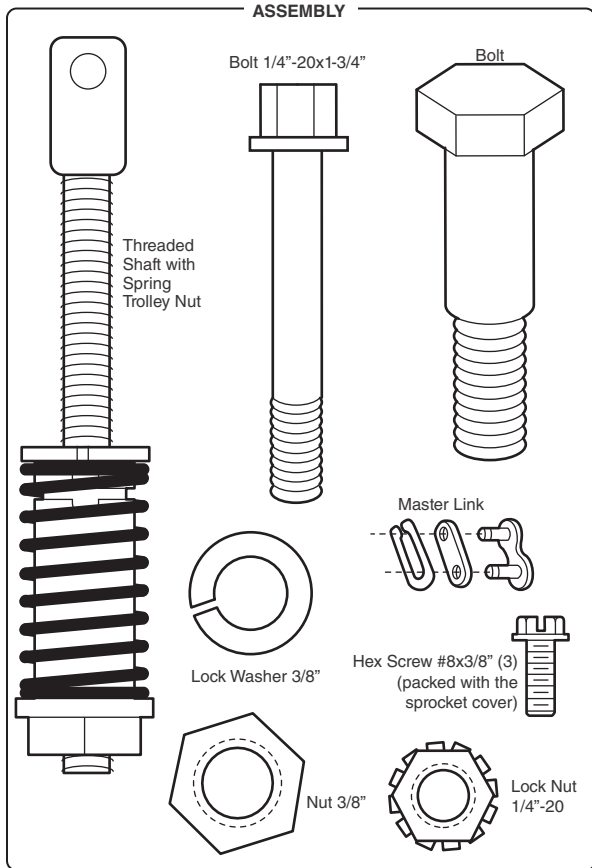
3-button remote control model 953EV-P2

Wireless keypad model 940EV-P2



Preparation

Hardware



Assembly

STEP 1 Assemble the Rail and Install the Trolley

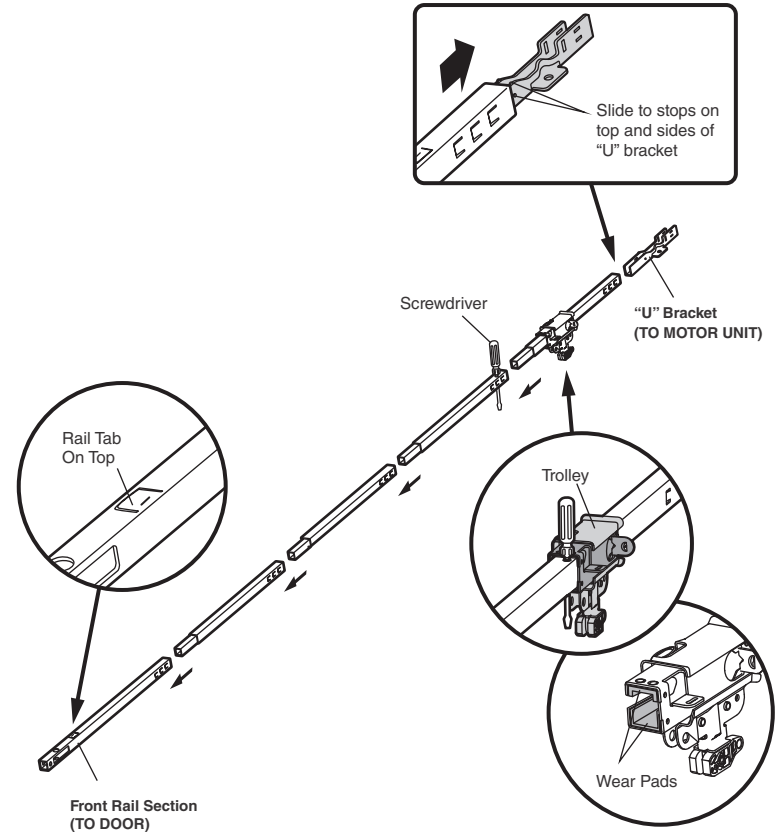
CAUTION

To prevent INJURY from pinching, keep hands and fingers away from the joints while assembling the rail.

To avoid installation difficulties, do not run the garage door opener until instructed to do so.

The front rail has a cut out "window" at the door end. The rail tab MUST be on top of the rail when assembled.

1. Remove the straight door arm and hanging bracket packaged inside the front rail and set aside for installation Step 5 and 9. **NOTE:** To prevent INJURY while unpacking the rail carefully remove the straight door arm stored within the rail section.
2. Align the rail sections on a flat surface as shown and slide the tapered ends into the larger ones. Tabs along the side will lock into place.
3. Place the motor unit on packing material to protect the cover, and rest the back end of the rail on top. For convenience, put a support under the front end of the rail.
4. As a temporary stop, insert a screwdriver into the hole in the second rail section from the motor unit, as shown.
5. Check to be sure there are 4 plastic wear pads inside the inner trolley. If they became loose during shipping, check all packing material. Snap them back into position as shown.
6. Slide the trolley assembly toward the screwdriver as shown.
7. Slide the rail onto the "U" bracket, until it reaches all the stops on the top and sides of the "U" bracket.



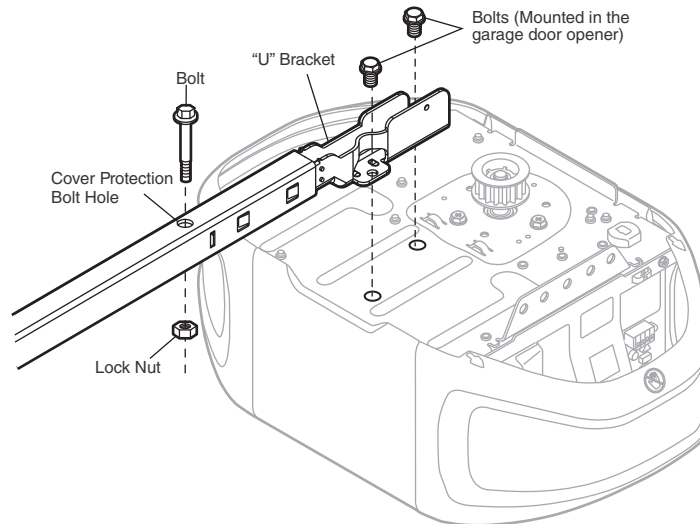
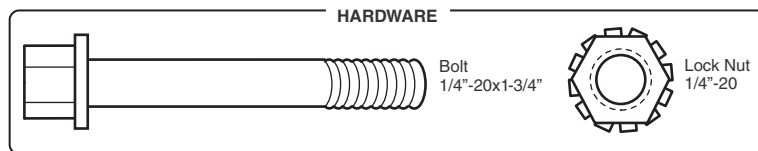
Assembly

STEP 2 Fasten the Rail to the Motor Unit

CAUTION

To avoid **SERIOUS** damage to garage door opener, use **ONLY** those bolts/fasteners mounted in the top of the opener.

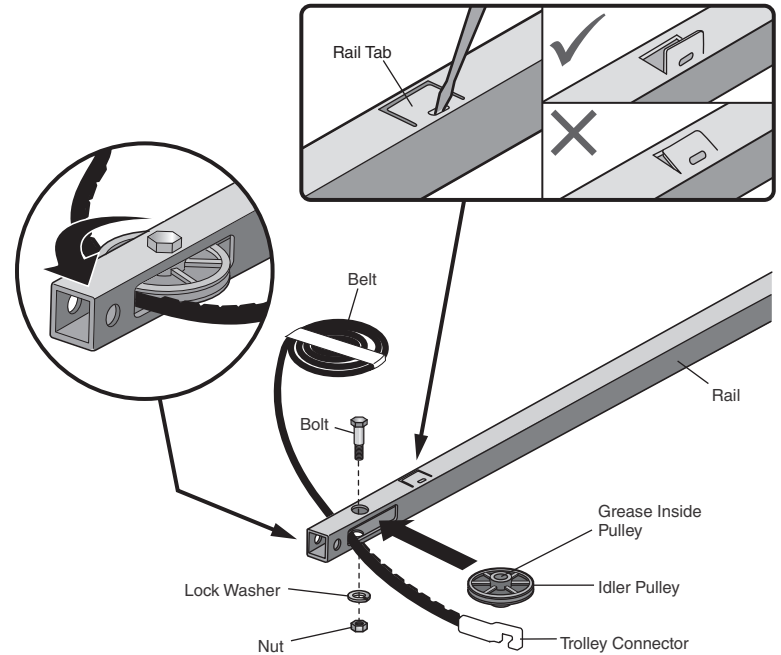
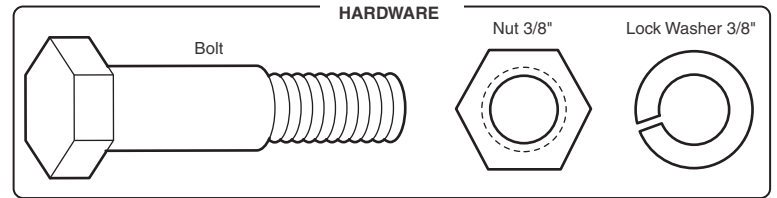
1. Insert a 1/4"-20 x 1-3/4" bolt into the cover protection bolt hole on the back end of the rail as shown. Tighten securely with a 1/4"-20 locknut. **DO NOT** over tighten.
2. Remove the bolts from the top of the motor unit.
3. Use the carton to support the front end of the rail.
4. Place the "U" bracket, flat side down, onto the motor unit and align the bracket holes with the bolt holes.
5. Fasten the "U" bracket with the previously removed bolts; **DO NOT** use any power tools. The use of power tools may permanently damage the garage door opener.



Assembly

STEP 3 Install the Idler Pulley

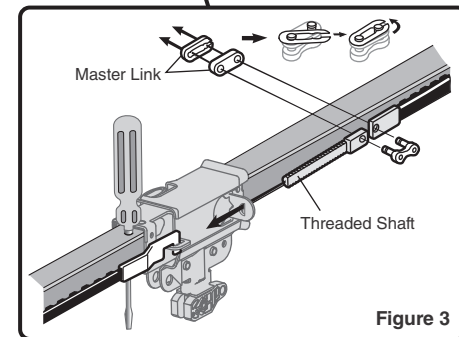
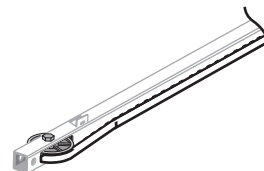
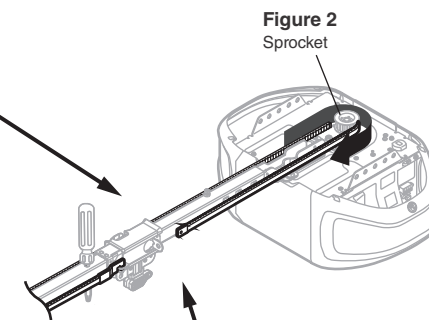
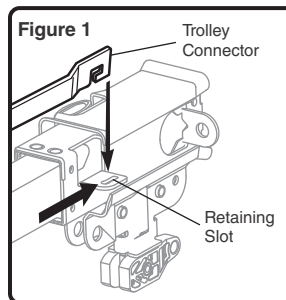
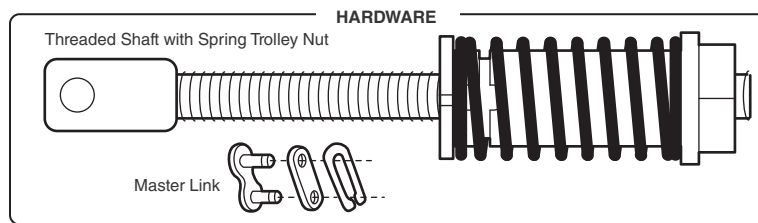
1. Lay the belt beside the rail, as shown. Grasp the end with the hooked trolley connector and pass approximately 12" (30 cm) of belt through the window. Keep the ribbed side toward the rail, and allow it to hang until Assembly Step 4.
2. Remove the tape from the idler pulley. The inside center should be pre-greased. If dry, regrease to ensure proper operation.
3. Place the idler pulley into the window as shown.
4. Insert the idler bolt from the top through the rail and pulley. Tighten with a 3/8" lock washer and nut underneath the rail until the lock washer is compressed.
5. Rotate the pulley to be sure it spins freely.
6. Locate the rail tab. The rail tab is between the idler bolt and the trolley in the front rail section. Use a flathead screwdriver and lift the rail tab until the tab is vertical (90°).



Assembly

STEP 4 Install the Belt

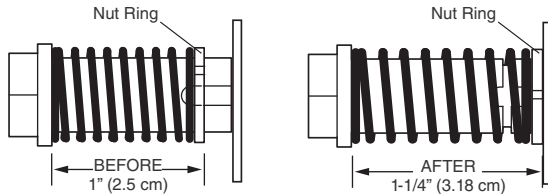
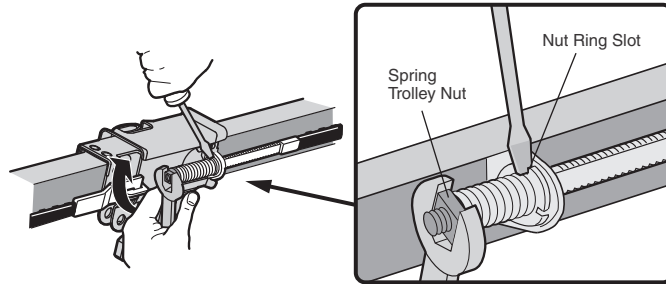
1. Pull the belt around the idler pulley and toward the trolley. The ribbed side must contact the pulley.
2. Hook the trolley connector into the retaining slot on the trolley as shown (Figure 1).
3. With the trolley against the screwdriver, dispense the remainder of the belt along the rail length toward the motor unit and around the sprocket (Figure 2). The sprocket teeth must engage the belt.
4. Check to make sure the belt is not twisted. Connect the trolley threaded shaft with the master link (Figure 3).
 - a. Push pins of master link bar through holes in end of belt and trolley threaded shaft.
 - b. Push master link cap over pins and past pin notches.
 - c. Slide the closed end of the clip-on spring over one of the pins. Push the open end of the clip-on spring onto the other pin.
5. Remove the spring trolley nut from the threaded shaft.
6. Insert the trolley threaded shaft through the hole in the trolley.



Assembly

STEP 5 Tighten the Belt

1. By hand, thread the spring trolley nut on the threaded shaft until it is finger tight against the trolley. Do not use any tools. Remove the screwdriver.
2. Insert a flathead screwdriver tip into one of the nut ring slots and brace it firmly against the trolley.
3. Tighten the spring trolley nut with an adjustable wrench or a 7/16" open end wrench about a quarter turn until the spring releases and snaps the nut ring against the trolley. This sets the spring to optimum belt tension.



STEP 6 Install the Sprocket Cover

WARNING

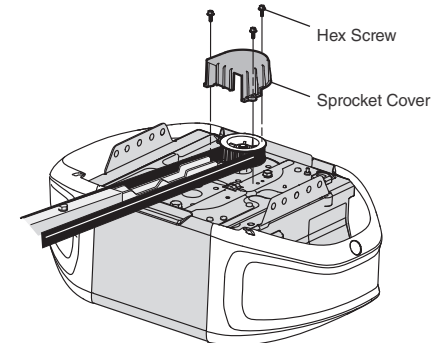
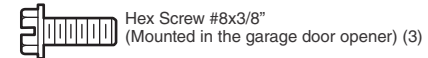
To avoid possible **SERIOUS INJURY** to finger from moving garage door opener:

- ALWAYS keep hand clear of sprocket while operating opener.
- Securely attach sprocket cover **BEFORE** operating.

1. Position the sprocket cover over the sprocket as shown and fasten to the mounting plate with #8x3/8" hex screws provided.

You have now finished assembling your garage door opener. Please read the following warnings before proceeding to the installation section.

HARDWARE



IMPORTANT INSTALLATION INSTRUCTIONS



To reduce the risk of SEVERE INJURY or DEATH:

1. READ AND FOLLOW ALL INSTALLATION WARNINGS AND INSTRUCTIONS.
2. Install garage door opener ONLY on properly balanced and lubricated garage door. An improperly balanced door may NOT reverse when required and could result in SEVERE INJURY or DEATH.
3. ALL repairs to cables, spring assemblies, and other hardware MUST be made by a trained door systems technician BEFORE installing opener.
4. Disable ALL locks and remove ALL ropes connected to garage door BEFORE installing opener to avoid entanglement.
5. Where possible, install the door opener 7 feet (2.13 m) or more above the floor.
6. Mount the emergency release within reach, but at least 6 feet (1.83 m) above the floor and avoiding contact with vehicles to avoid accidental release.
7. NEVER connect garage door opener to power source until instructed to do so.
8. NEVER wear watches, rings, or loose clothing while installing or servicing opener. They could be caught in garage door or opener mechanisms.
9. Install wall-mounted garage door control:
 - within sight of the garage door.
 - out of reach of small children at a minimum height of 5 feet (1.5 m) above floors, landings, steps, or any other adjacent walking surface.
 - away from ALL moving parts of the door.
10. Place entrapment warning label on wall next to garage door control in a prominent location.
11. Place emergency release/safety reverse test label in plain view on inside of garage door.
12. Upon completion of installation, test safety reversal system. Door MUST reverse on contact with a 1-1/2" (3.8 cm) high object (or a 2x4 laid flat) on the floor.
13. DO NOT install on a one-piece door if using devices or features providing unattended close. Unattended devices and features are to be used ONLY with sectional doors.

14. SAVE THESE INSTRUCTIONS.

Installation

STEP 1 Determine the Header Bracket Location

WARNING

To prevent possible **SERIOUS INJURY** or **DEATH**:

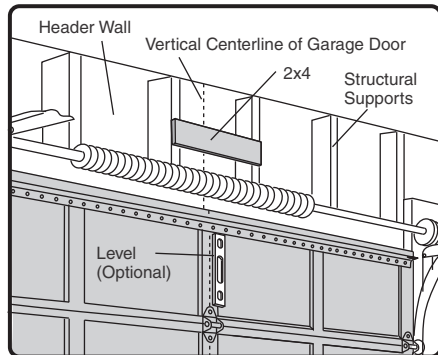
- Header bracket **MUST** be **RIGIDLY** fastened to structural support on header wall or ceiling, otherwise garage door might **NOT** reverse when required. **DO NOT** install header bracket over drywall.
- Concrete anchors **MUST** be used if mounting header bracket or 2x4 into masonry.
- **NEVER** try to loosen, move or adjust garage door, springs, cables, pulleys, brackets, or their hardware, **ALL** of which are under **EXTREME** tension.
- **ALWAYS** call a trained door systems technician if garage door binds, sticks, or is out of balance. An unbalanced garage door might **NOT** reverse when required.

Installation procedures vary according to garage door types. Follow the instructions which apply to your door.

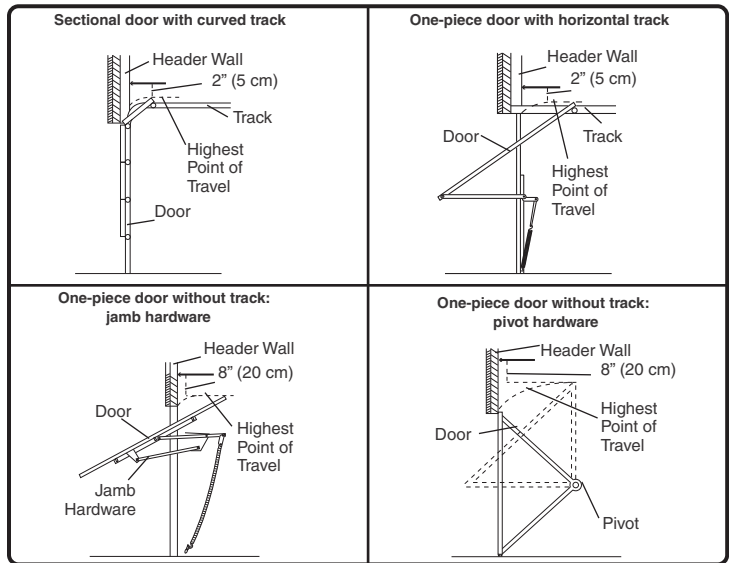
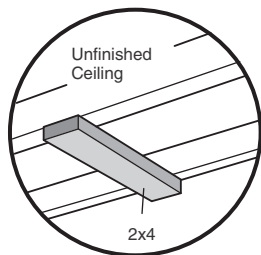
1. Close the door and mark the inside vertical centerline of the garage door.
2. Extend the line onto the header wall above the door. You can fasten the header bracket within 4 feet (1.22 m) of the left or right of the door center only if a torsion spring or center bearing plate is in the way; or you can attach it to the ceiling (see page 16) when clearance is minimal. It may be mounted on the wall upside down, if necessary, to gain approximately 1/2" (1 cm). If you need to install the header bracket on a 2x4 (on wall or ceiling), use lag screws (not provided) to securely fasten the 2x4 to structural supports as shown here and on page 16.
3. Open your door to the highest point of travel as shown. Draw an intersecting horizontal line on the header wall 2" (5 cm) above the highpoint:
 - 2" (5 cm) above the high point for sectional door and one-piece door with track.
 - 8" (20 cm) above the high point for one-piece door without track.

This height will provide travel clearance for the top edge of the door.

NOTE: If the total number of inches exceeds the height available in your garage, use the maximum height possible, or refer to page 16 for ceiling installation.



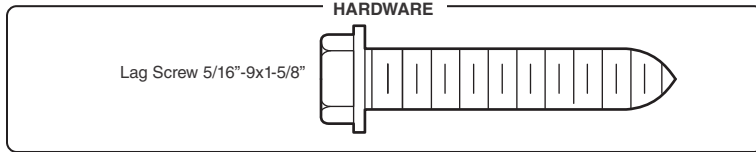
OPTIONAL CEILING MOUNT FOR HEADER BRACKET



Installation

STEP 2 Install the Header Bracket

You can attach the header bracket either to the wall above the garage door, or to the ceiling. Follow the instructions which will work best for your particular requirements. **Do not install the header bracket over drywall. If installing into masonry, use concrete anchors (not provided).**



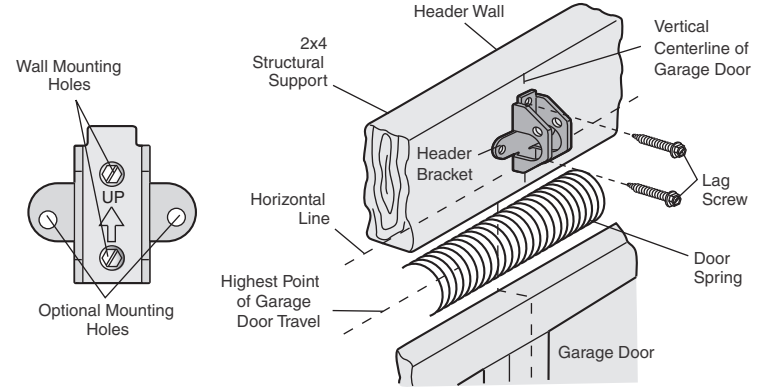
OPTION A - WALL INSTALLATION

1. Center the bracket on the vertical center line with the bottom edge of the bracket on the horizontal line as shown (with the arrow pointing toward the ceiling).
2. Mark the vertical set of bracket holes. Drill 3/16" pilot holes and fasten the bracket securely to a structural support with the hardware provided.

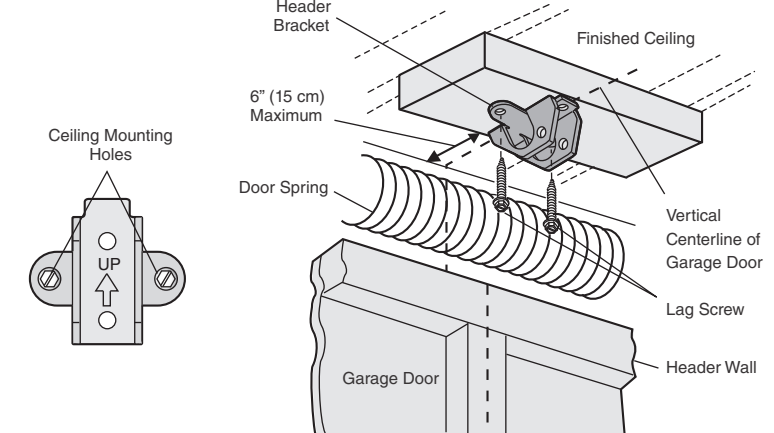
OPTION B - CEILING INSTALLATION

1. Extend the vertical centerline onto the ceiling as shown.
2. Center the bracket on the vertical mark, no more than 6" (15 cm) from the wall. Make sure the arrow is pointing away from the wall. The bracket can be mounted flush against the ceiling when clearance is minimal.
3. Mark the side holes. Drill 3/16" pilot holes and fasten bracket securely to a structural support with the hardware provided.

WALL INSTALLATION



CEILING INSTALLATION

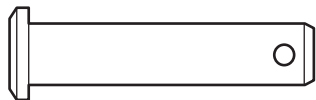


Installation

STEP 3 Attach the Rail to the Header Bracket

1. Position the opener on the garage floor below the header bracket. Use packing material as a protective base.
NOTE: If the door spring is in the way, you will need help. Have someone hold the opener securely on a temporary support to allow the rail to clear the spring.
2. Position the rail bracket against the header bracket.
3. Align the bracket holes and join with a clevis pin as shown.
4. Insert a ring fastener to secure.

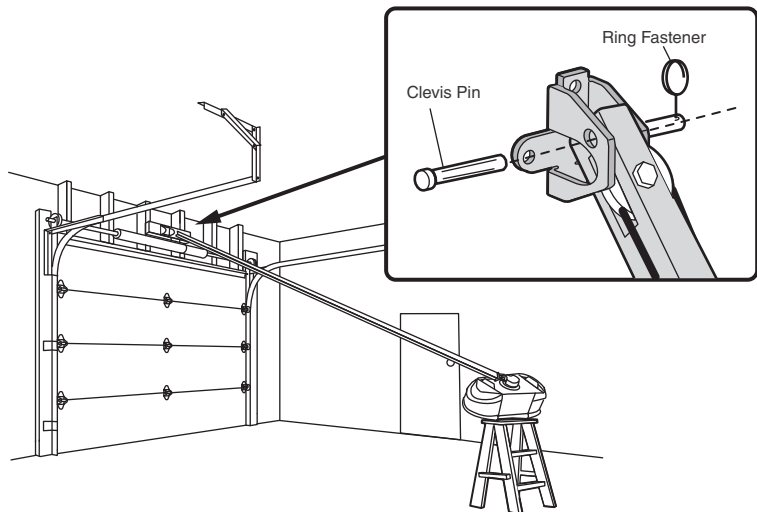
HARDWARE



Clevis Pin
5/16" x 1-1/2"



Ring Fastener



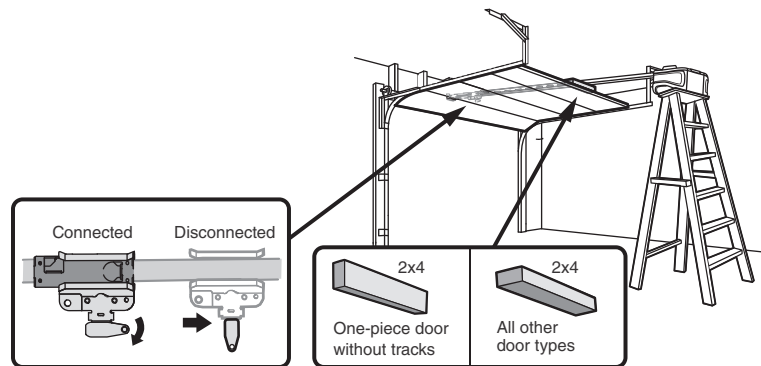
STEP 4 Position the Garage Door Opener

CAUTION

To prevent damage to garage door, rest garage door opener rail on 2x4 placed on top section of door.

1. Remove the packing material and lift the garage door opener onto a ladder.
2. Fully open the door and place a 2x4 (laid flat) under the rail. For one-piece doors without tracks, lay the 2x4 on its side.

NOTE: A 2x4 is ideal for setting the distance between the rail and the door. If the ladder is not tall enough, you will need help at this point. If the door hits the trolley when it is raised, pull the trolley release arm down to disconnect the inner and outer trolley. Slide the outer trolley toward the garage door opener. The trolley can remain disconnected until instructed.



Installation

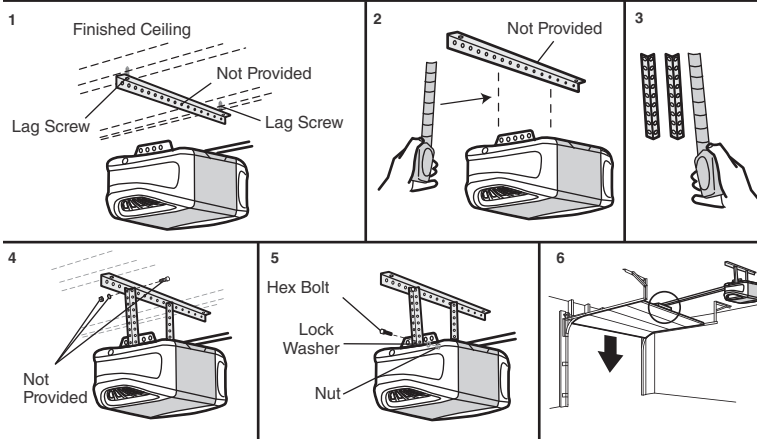
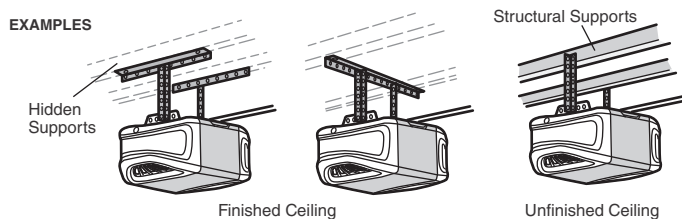
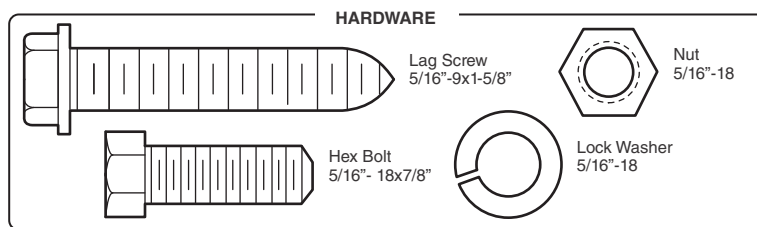
STEP 5 Hang the Garage Door Opener

WARNING

To avoid possible **SERIOUS INJURY** from a falling garage door opener, fasten it **SECURELY** to structural supports of the garage. Concrete anchors **MUST** be used if installing **ANY** brackets into masonry.

Hanging the garage door opener will vary depending on your garage. Below are three example installations. Your installation may be different. For **ALL** installations, the garage door opener **MUST** be connected to structural supports. The instructions illustrate one of the examples to the right.

1. On finished ceilings, use the lag screws to attach a support bracket (not provided) to the structural supports before installing the garage door opener.
2. Make sure the garage door opener is aligned with the header bracket. Measure the distance from each side of the garage door opener to the support bracket.
3. Cut both pieces of the hanging bracket (not provided) to required lengths.
4. Attach the end of each hanging bracket to the support bracket with appropriate hardware (not provided).
5. Attach the garage door opener to the hanging brackets with the hex bolts, lock washers, and nuts.
6. Remove the 2x4 and manually close the door. If the door hits the rail, raise the header bracket.



Installation

STEP 6 Install the Light Bulbs

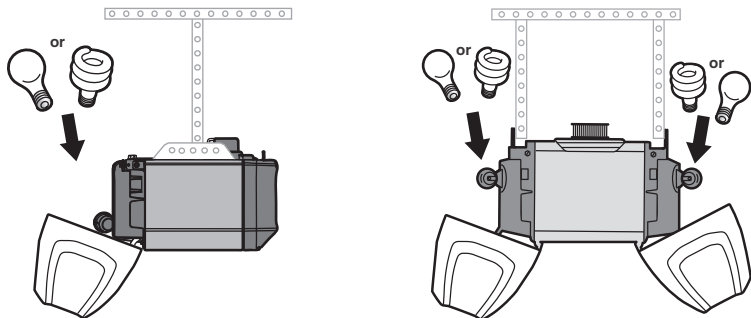
CAUTION

To prevent possible OVER HEATING of the end panel or light socket:

- Use ONLY A19 light bulbs.
- DO NOT use incandescent bulbs larger than 100W.
- DO NOT use compact fluorescent light bulbs larger than 26W (100W equivalent).
- DO NOT use halogen bulbs.
- DO NOT use short neck or specialty light bulbs.

LED bulbs may cause remote control radio interference. Use ONLY LED bulbs recommended here: chamberlain.com/bulb.

1. Pull light lens down.
2. Insert light bulb.
3. Close light lens.



STEP 7 Attach the Emergency Release Rope and Handle

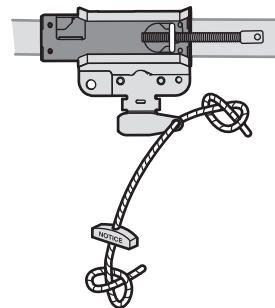
WARNING

To prevent possible SERIOUS INJURY or DEATH from a falling garage door:

- If possible, use emergency release handle to disengage trolley ONLY when garage door is CLOSED. Weak or broken springs or unbalanced door could result in an open door falling rapidly and/or unexpectedly.
- NEVER use emergency release handle unless garage doorway is clear of persons and obstructions.
- NEVER use handle to pull door open or closed. If rope knot becomes untied, you could fall.

1. Insert one end of the emergency release rope through the handle. Make sure that "NOTICE" is right side up. Secure with an overhand knot at least 1" (2.5 cm) from the end of the rope to prevent slipping.
2. Insert the other end of the emergency release rope through the hole in the trolley release arm. Mount the emergency release within reach, but at least 6 feet (1.83 m) above floor, avoiding contact with vehicles to prevent accidental release, and secure with an overhand knot.

NOTE: If it is necessary to cut the emergency release rope, seal the cut end with a match or lighter to prevent unraveling. Ensure the emergency release rope and handle are above the top of all vehicles to avoid entanglement.



Installation

STEP 8 Install the Door Bracket

CAUTION

Fiberglass, aluminum, or light weight steel garage doors **WILL REQUIRE** reinforcement BEFORE installation of door bracket. Contact the garage door manufacturer or installing dealer for opener reinforcement instructions or reinforcement kit. Failure to reinforce the top section as required according to the door manufacturer may void the door warranty.

A horizontal and vertical reinforcement is needed for light weight garage doors (fiber glass, aluminum, steel, doors with glass panel, etc.) (not provided). A horizontal reinforcement brace should be long enough to be secured to two or three vertical supports. A vertical reinforcement brace should cover the height of the top panel. Contact the garage door manufacturer or installing dealer for opener reinforcement instructions or reinforcement kit.

NOTE: Many door reinforcement kits provide for direct attachment of the clevis pin and door arm. In this case, you will not need the door bracket; proceed to the next step.

OPTION A - SECTIONAL DOORS

1. Center the door bracket on the previously marked vertical center line used for the header bracket installation. Note correct UP placement, as stamped inside bracket.
2. Position the top edge of the bracket 2"-4" (5-10 cm) below the top edge of the door, OR directly below any structural support across the top of the door.
3. Mark, drill holes, and install as follows, depending on your door's construction.

Metal or light weight doors using a vertical angle iron brace in the door panel support and the door bracket:

- Drill 3/16" fastening holes. Secure the door bracket using the two 1/4"-14x5/8" self-threading screws. (Figure 1)
- Alternately, use two 5/16"-18x2" bolts, lock washers and nuts (not provided). (Figure 2)

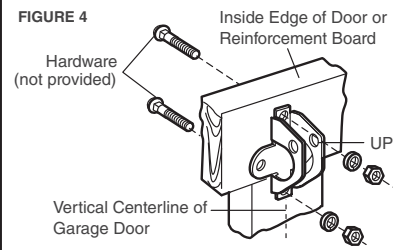
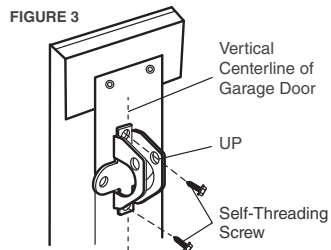
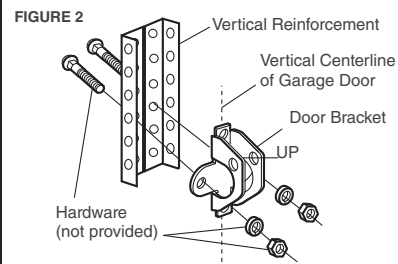
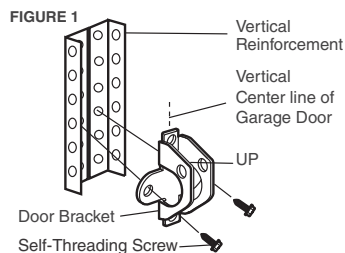
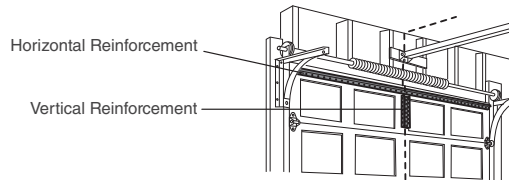
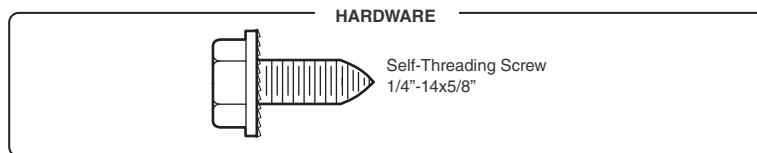
Metal, insulated, or light weight factory reinforced doors:

- Drill 3/16" fastening holes. Secure the door bracket using the self-threading screws. (Figure 3)

Wood doors:

- Use top and bottom or side to side door bracket holes. Drill 5/16" holes through the door and secure bracket with 5/16"-18x2" carriage bolts, lock washers, and nuts (not provided). (Figure 4)

NOTE: The 1/4"-14x5/8" self-threading screws are not intended for use on wood doors.



Installation

STEP 8 Install the Door Bracket (continued)

OPTION B - ONE-PIECE DOORS

1. Center the door bracket on the top of the door, in line with the header bracket as shown.
2. Mark either the left and right, or the top and bottom holes.

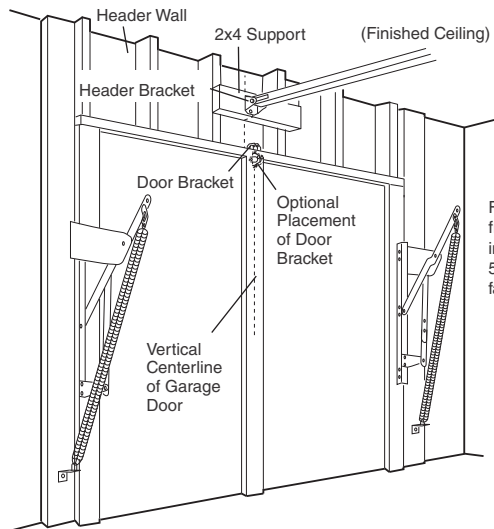
Metal Doors:

- Drill 3/16" pilot holes and fasten the bracket with the self-threading screws provided.

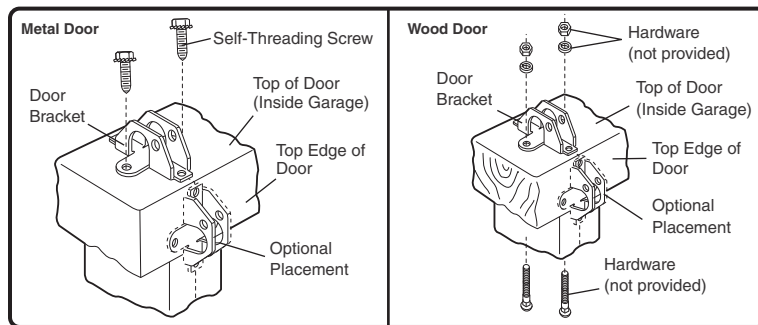
Wood Doors:

- Drill 5/16" holes and use 5/16"-18x2" carriage bolts, lock washers, and nuts (not provided) or 5/16"x1-1/2" lag screws (not provided) depending on your installation needs.

NOTE: The door bracket may be installed on the top edge of the door if required for your installation. (Refer to the dotted line optional placement drawing.)



For a door with no exposed framing, or for the optional installation, use lag screws 5/16"x1-1/2" (not provided) to fasten the door bracket.



Installation

STEP 9 Connect the Door Arm to the Trolley

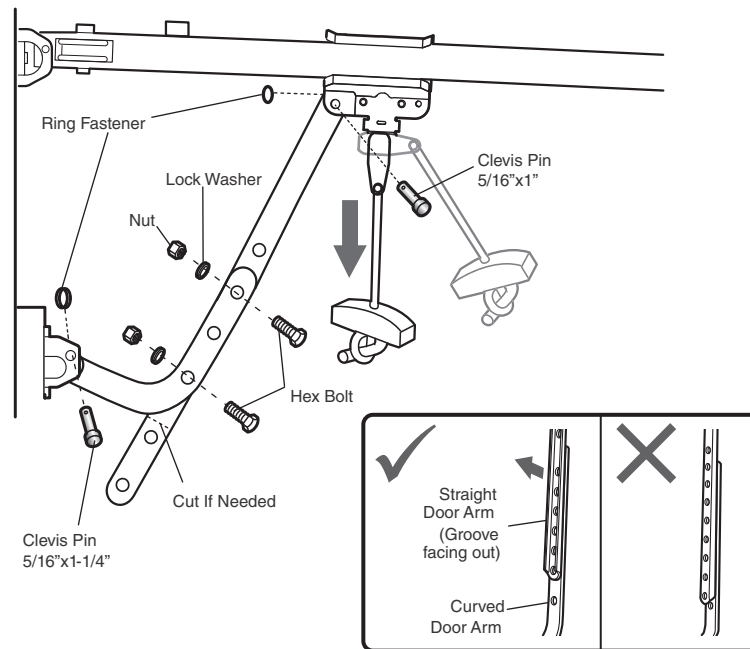
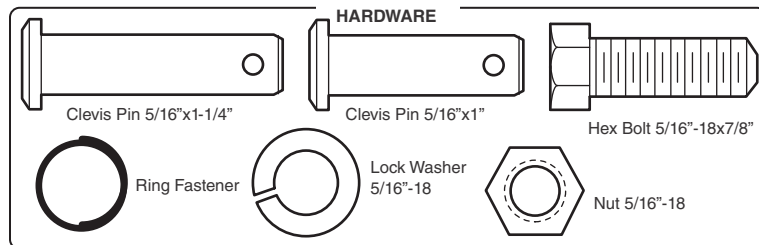
Installation will vary according to the garage door type. Follow the instructions which apply to your door.

OPTION A - SECTIONAL DOORS

IMPORTANT: The groove on the straight door arm **MUST** face away from the curved door arm.

1. Close the door. Disconnect the trolley by pulling the emergency release handle.
2. Attach the straight door arm to the outer trolley using the clevis pin. Secure with the ring fastener.
3. Attach the curved door arm to the door bracket using the clevis pin. Secure with the ring fastener.
4. Bring arm sections together. Find two pairs of holes that line up and join sections. Select holes as far apart as possible to increase door arm rigidity and attach using the bolts, nuts, and lock washers.
5. Pull the emergency release handle toward the garage door opener until the trolley release arm is horizontal. The trolley will re-engage automatically when the garage door opener is activated.

NOTE: If the holes in the curved door arm and the straight door arm do not align, reverse the straight door arm, select two holes (as far apart as possible), and attach using bolts, nuts, and lock washers. If the straight door arm is hanging down too far, you may cut 6" (15 cm) from the solid end.



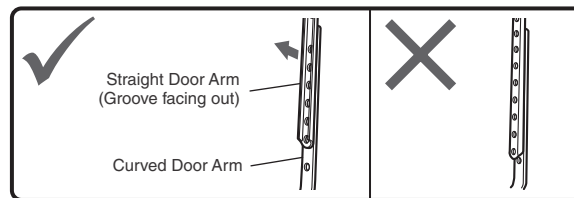
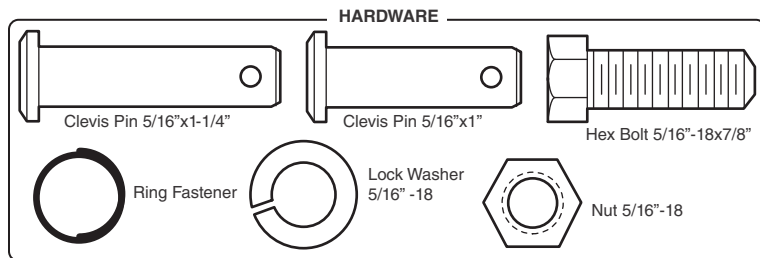
Installation

STEP 9 Connect the Door Arm to the Trolley (continued)

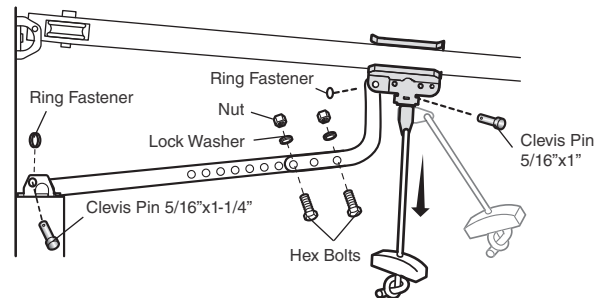
OPTION B - ONE-PIECE DOORS

IMPORTANT: The groove on the straight door arm MUST face away from the curved door arm.

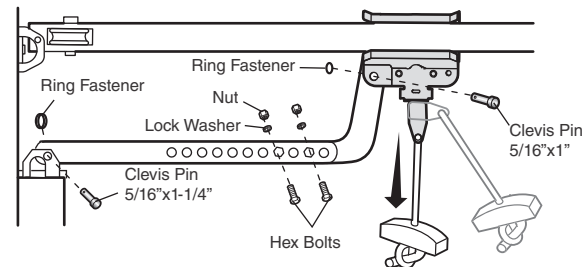
1. Close the door. Disconnect the trolley by pulling the emergency release handle.
2. Fasten the straight door arm and the curved door arm together to the longest possible length (with a 2- or 3-hole overlap) using the bolts, nuts, and lock washers.
3. Attach the straight door arm to the door bracket using the clevis pin. Secure with the ring fastener.
4. Attach the curved door arm to the trolley using the clevis pin. Secure with the ring fastener.
5. Pull the emergency release handle toward the garage door opener until the trolley release arm is horizontal.



One-Piece Door without Track



One-Piece Door with Track



Installation

STEP 10 Install the Door Control

PUSH BUTTON DOOR CONTROL

⚠️ ⚡ WARNING

To prevent possible **SERIOUS INJURY** or **DEATH** from electrocution:

- Be sure power is **NOT** connected **BEFORE** installing door control.
- Connect door control **ONLY** to **12 VOLT** low voltage wires.

To prevent possible **SERIOUS INJURY** or **DEATH** from a closing garage door:

- Install door control within sight of garage door, out of reach of small children at a minimum height of 5 feet (1.5 m) above floors, landings, steps or any other adjacent walking surface, and away from **ALL** moving parts of door.
- **NEVER** permit children to operate or play with door control push buttons or remote control transmitters.
- Activate door **ONLY** when it can be seen clearly, is properly adjusted, and there are no obstructions to door travel.
- **ALWAYS** keep garage door in sight until completely closed. **NEVER** permit anyone to cross path of closing garage door.

INTRODUCTION

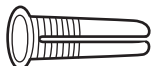
Install the door control within sight of the door at a minimum height of 5 feet (1.5 m) above floors, landings, steps or any other adjacent walking surface, where small children cannot reach, and away from the moving parts of the door.

NOTE: Your product may look different than the illustrations.

HARDWARE

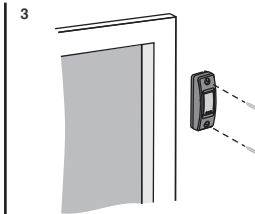
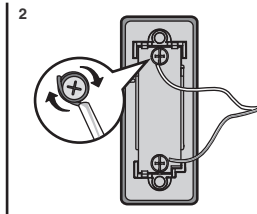
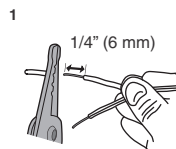


Screw 6ABx1-1/2" (2)



Drywall Anchors (2)

1. Strip 1/4" (6 mm) of insulation from one end of the wire and separate the wires.
2. Connect one wire to each of the two screws on the back of the door control. The wires can be connected to either screw.
3. Mount the door control with the hardware provided.



Installation

MOTION DETECTING AND MULTI-FUNCTION CONTROL PANEL

WARNING

To prevent possible **SERIOUS INJURY** or **DEATH** from electrocution:

- Be sure power is **NOT** connected **BEFORE** installing door control.
- Connect door control **ONLY** to **12 VOLT** low voltage wires.

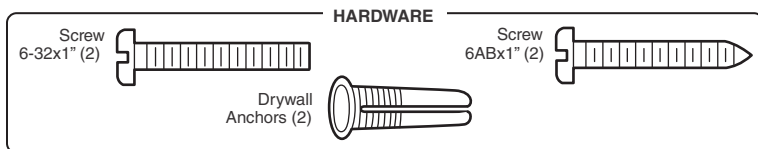
To prevent possible **SERIOUS INJURY** or **DEATH** from a closing garage door:

- Install door control within sight of garage door, out of reach of small children at a minimum height of 5 feet (1.5 m) above floors, landings, steps or any other adjacent walking surface, and away from **ALL** moving parts of door.
- **NEVER** permit children to operate or play with door control push buttons or remote control transmitters.
- Activate door **ONLY** when it can be seen clearly, is properly adjusted, and there are no obstructions to door travel.
- **ALWAYS** keep garage door in sight until completely closed. **NEVER** permit anyone to cross path of closing garage door.

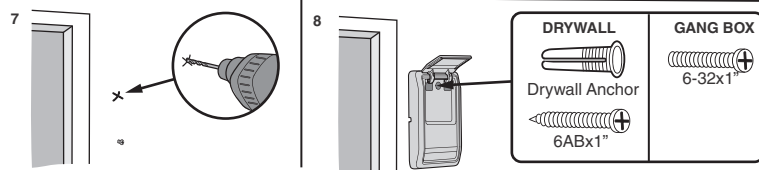
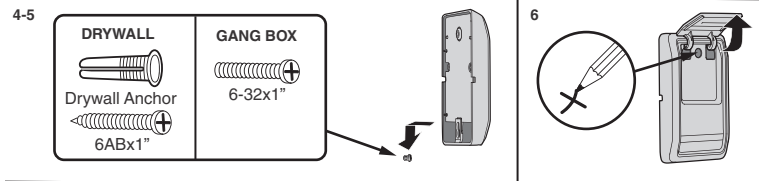
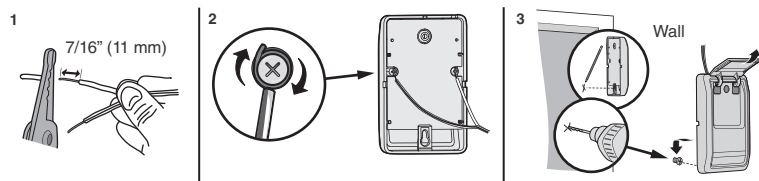
INTRODUCTION

Older Chamberlain door controls and third-party products are not compatible. Install door control within sight of garage door, out of reach of small children at a minimum height of 5 feet (1.5 m) above floors, landings, steps or any other adjacent walking surface, and away from **ALL** moving parts of door. For gang box installations, it is not necessary to drill holes or install the drywall anchors. Use the existing holes in the gang box.

NOTE: Your product may look different than the illustrations.



1. Strip 7/16" (11 mm) of insulation from one end of the wire and separate the wires.
2. Connect one wire to each of the two screws on the back of the door control. The wires can be connected to either screw. If your garage is pre-wired for the door control, choose any two wires to connect. Note which wires are used so the correct wires are connected to the garage door opener in a later step.
3. Mark the location of the bottom mounting hole and drill a 5/32" hole.
4. Install the bottom screw, allowing 1/8" (3 mm) to protrude from the wall.
5. Position the bottom hole of the door control over the screw and slide down into place.
6. Lift the push bar up and mark the top hole.
7. Remove the door control from the wall and drill a 5/32" hole for the top screw.
8. Position the bottom hole of the door control over the screw and slide down into place. Attach the top screw.



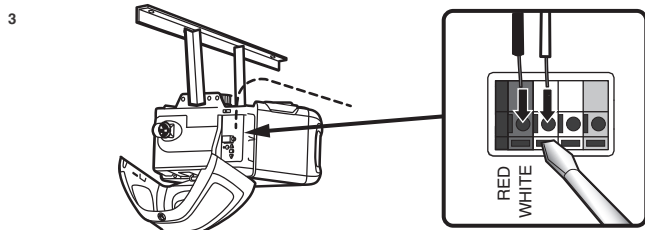
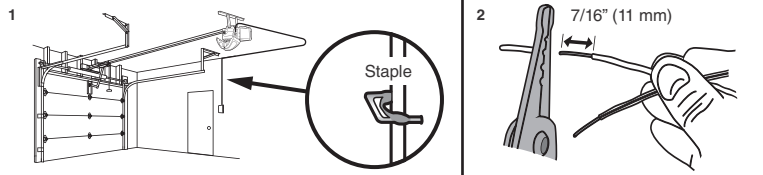
Installation

STEP 11 Wire the Door Control to the Garage Door Opener

1. Run the white and red/white wire from the door control to the garage door opener. Attach the wire to the wall and ceiling with the staple (not applicable for gang box or pre-wired installations). Do not pierce the wire with the staple as this may cause a short or an open circuit.
2. Strip 7/16" (11 mm) of insulation from the end of the wire near the garage door opener.
3. Connect the wire to the red and white terminals on the garage door opener. If your garage is pre-wired, make sure you use the same wires that are connected to the door control. To insert or release wires from the terminal, push in the tab with screw driver tip.

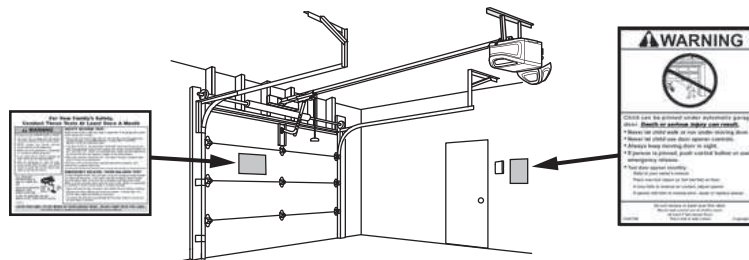
HARDWARE

Insulated Staple (Not Shown)



STEP 12 Attach the Warning Labels

1. Attach the entrapment warning label on the wall near the door control with tacks or staples.
2. Attach the manual release/safety reverse test label in a visible location on the inside of the garage door.



Installation

STEP 13 Install the Protector System®

WARNING

Be sure power is NOT connected to the garage door opener BEFORE installing the safety reversing sensor. To prevent SERIOUS INJURY or DEATH from closing garage door:

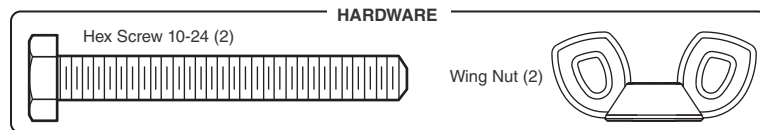
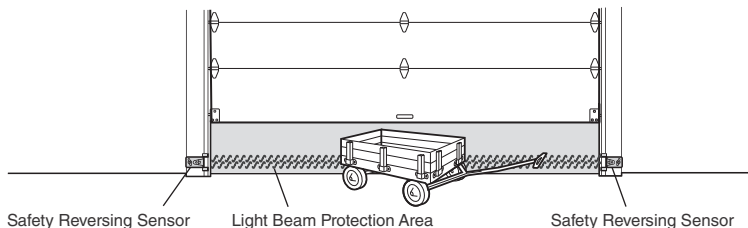
- Correctly connect and align the safety reversing sensor. This required safety device MUST NOT be disabled.
- Install the safety reversing sensor so beam is NO HIGHER than 6" (15 cm) above garage floor.

IMPORTANT: The safety reversing sensors MUST be connected and aligned correctly before the garage door opener will move in the down direction.

The Protector System® includes two safety reversing sensors which use a light beam to prevent the garage door from closing. The sending sensor (amber LED) transmits the beam to the receiving sensor (green LED) when both are powered and aligned. The receiving sensor has a sticker on the back. If an obstruction breaks the light beam while the door is closing, the door will stop, and reverse to the full open position.

When installing the safety reversing sensors, check:

- Sensors are installed INSIDE the garage.
- Sensor lenses are facing each other. **IMPORTANT: Do not allow direct sunlight to the receiving sensor (green LED).**
- Sensor beam is NO HIGHER than 6" (15 cm) above the floor and the light beam is unobstructed.

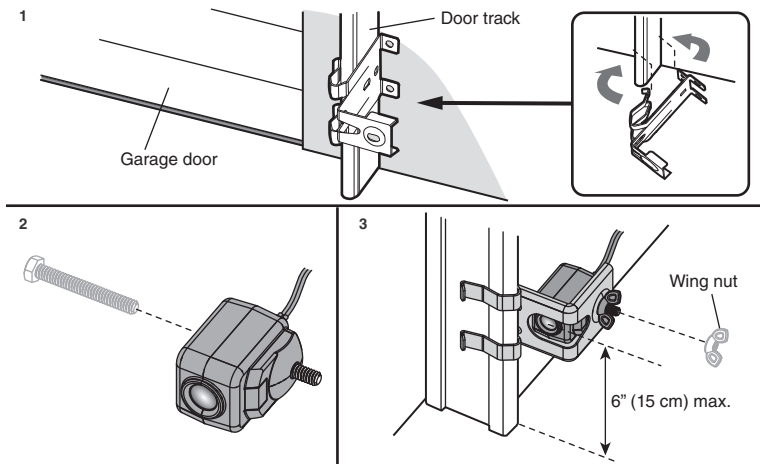


The safety reversing sensors are designed to clip onto the door track with the provided sensor brackets. If the door track will not support the sensor bracket, a wall installation is recommended. The sensor beam should be NO HIGHER than 6" (15 cm) above the floor.

DOOR TRACK INSTALLATION

1. Slide the curved arms of the sensor bracket around the edge of the door track. Snap into place so that the sensor bracket is flush against the track.
2. Slide the hex screw through the sensor.
3. Attach the sensor to the bracket with the wing nut. Make sure the lens is not obstructed by the bracket.

Repeat the steps with the other sensor on the opposite door track. Both lenses must face each other.



Installation

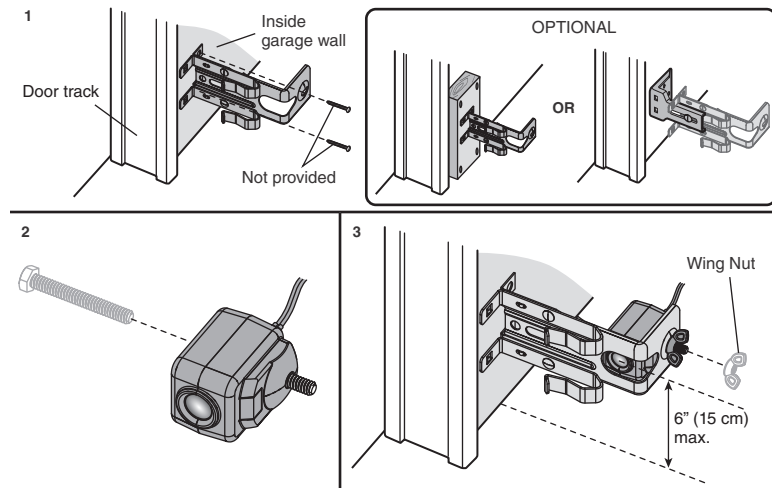
STEP 13 Install the Protector System (continued)

WALL OPTION

Make sure the brackets on each side are clear of the door track and have the same amount of clearance so the sensors will align correctly. If additional clearance is needed, use extension brackets 041A5281-1 (not provided) or wood blocks.

1. Attach the sensor bracket against the wall with two lag screws (not provided).
2. Slide the hex screw through the sensor.
3. Attach the sensor to the bracket with the wing nut. Make sure the lens is not obstructed by the bracket.

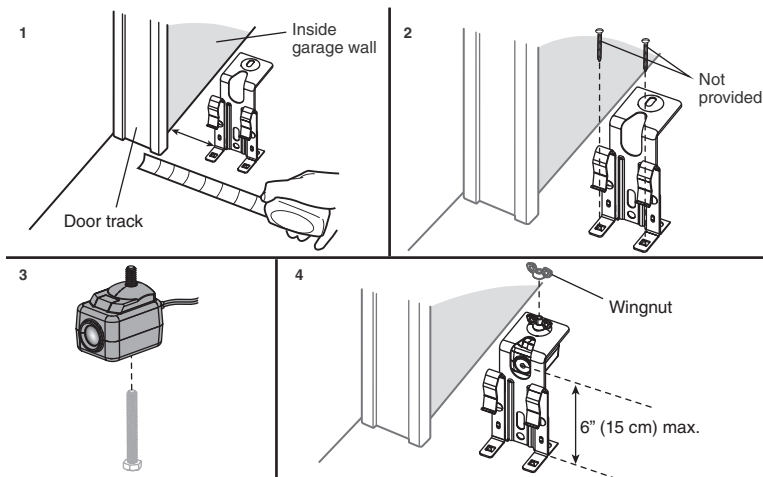
Repeat the steps with the other sensor on the opposite side of the garage door. Both lenses must face each other.



FLOOR OPTION

1. Measure the position of both sensor brackets so they will be the same distance from the wall and unobstructed.
2. Attach the bracket to the floor with concrete anchors (not provided).
3. Slide the hex screw through the sensor.
4. Attach the sensor to the bracket with the wing nut. Make sure the lens is not obstructed by the bracket.

Repeat the steps with the other sensor on the opposite side of the garage door. Both lenses must face each other.



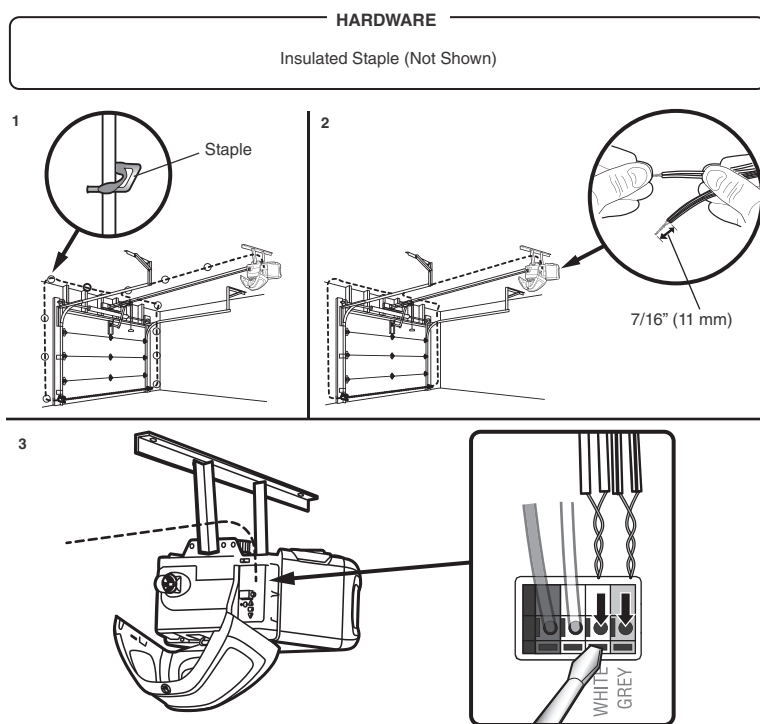
Installation

STEP 14 Wire the Safety Reversing Sensors

If your garage has pre-installed wiring for the safety reversing sensors, see OPTION B - PRE-WIRED INSTALLATION page 30.

OPTION A - INSTALLATION WITH NO PRE-WIRING

1. Run the wire from both sensors to the garage door opener. Attach with staples, but DO NOT puncture the wire.
2. Separate the sensor wires and strip insulation from each end. Twist the two white wires together. Then twist the two white/black wires together.
3. Using a screwdriver, push in the terminal tabs, and insert the white wires into the white terminal. Insert the white/black wires into the grey terminal.

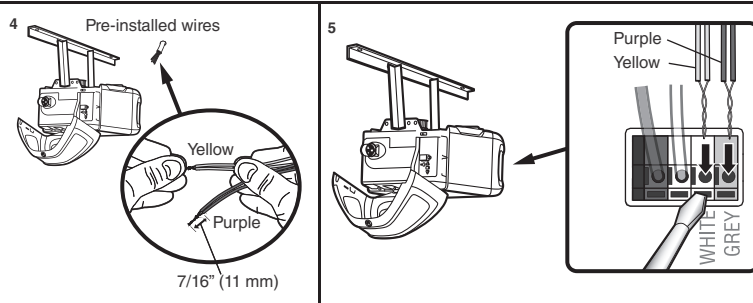
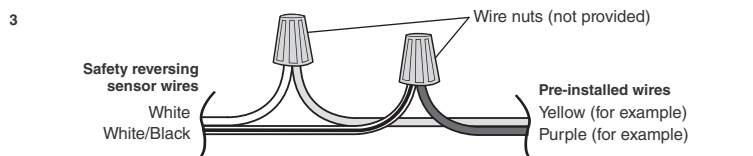
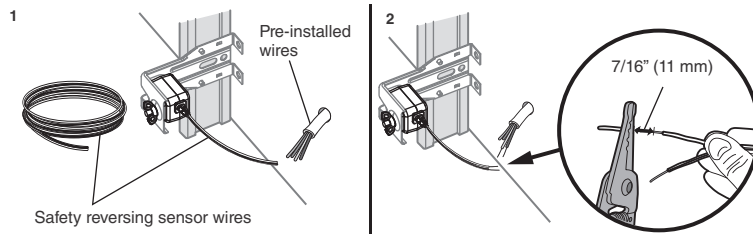


Installation

STEP 14 Wire the Safety Reversing Sensors (continued)

OPTION B - PRE-WIRED INSTALLATION

1. Cut the sensor wires, making sure there is enough wire to reach the pre-installed wires from the wall.
2. Separate the sensor wires and strip insulation from each end. Choose two of the pre-installed wires and strip insulation from each end. Choose the same color pre-installed wires for each sensor.
3. Connect the pre-installed wires to the sensor wires with wire nuts making sure the colors correspond for each sensor.
4. At the garage door opener, strip the end of the wires previously connected to the sensors. Twist the like-colored wires together.
5. Using a screwdriver, push in the terminal tabs, and insert the wire color connected to the sensor's white wire into the white terminal. Insert the other wire color connected to the sensor's white/black wire into the grey terminal.



Installation

STEP 15 Connect Power

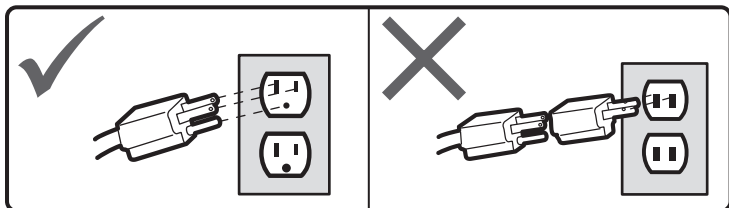
WARNING

To prevent possible **SERIOUS INJURY** or **DEATH** from electrocution or fire:

- Be sure power is **NOT** connected to the opener, and disconnect power to circuit **BEFORE** removing cover to establish permanent wiring connection.
- Garage door installation and wiring **MUST** be in compliance with **ALL** local electrical and building codes.
- **NEVER** use an extension cord, 2-wire adapter, or change plug in **ANY** way to make it fit outlet. Be sure the opener is grounded.

To avoid installation difficulties, do not run the opener at this time.

To reduce the risk of electric shock, your garage door opener has a grounding type plug with a third grounding pin. This plug will only fit into a grounding type outlet. If the plug doesn't fit into the outlet you have, contact a qualified electrician to install the proper outlet.



THERE ARE TWO OPTIONS FOR CONNECTING POWER:

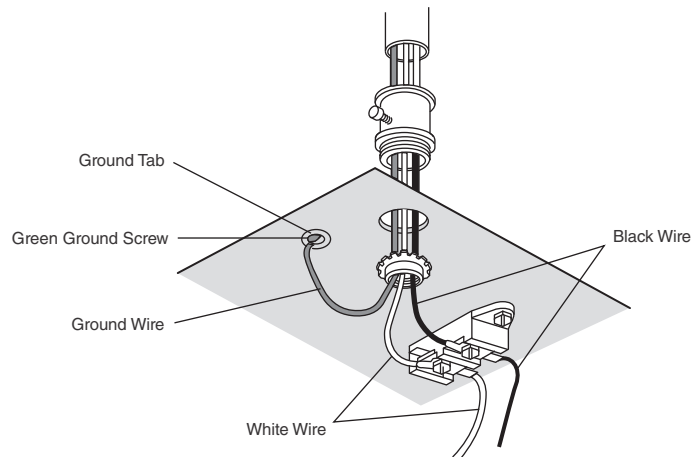
OPTION A - TYPICAL WIRING

1. Plug in the garage door opener into a grounded outlet.
2. **DO NOT** run garage door opener at this time.

OPTION B - PERMANENT WIRING

If permanent wiring is required by your local code, refer to the following procedure. To make a permanent connection through the 7/8-inch hole in the top of the motor unit (according to local code):

1. Remove the motor unit cover screws and set the cover aside.
2. Remove the attached 3-prong cord.
3. Connect the black (line) wire to the screw on the brass terminal; the white (neutral) wire to the screw on the silver terminal; and the ground wire to the green ground screw. **The opener must be grounded.**
4. Reinstall the cover.

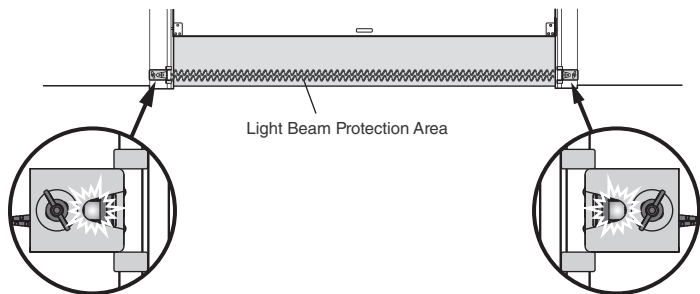


Installation

STEP 16 Align the Safety Reversing Sensors

IMPORTANT: The safety reversing sensors **MUST** be connected and aligned correctly before the garage door opener will move in the down direction.

When the garage door opener has power, check the safety reversing sensors. If the sensors are aligned and wired correctly, both LEDs will glow steadily.

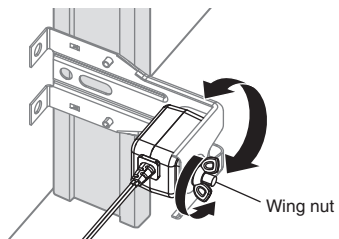


Sending sensor - amber LED

Receiving sensor - green LED
The receiving sensor has a sticker on the back.

To align the safety reversing sensors:

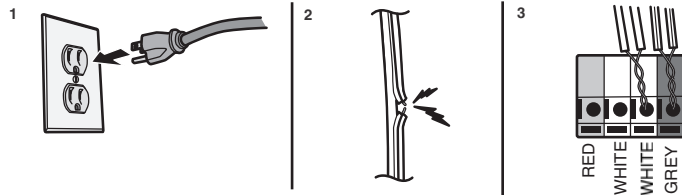
1. Loosen the wing nuts.
2. Adjust the sensors up or down until both LEDs glow steady indicating alignment.
3. Tighten the wing nut to secure the sensor.



SAFETY SENSOR TROUBLESHOOTING

If either of the sensor LEDs are off, there is no power to the sensor:

1. Check that you have power to the garage door opener.
2. Check the sensor wire is not shorted or broken.
3. Check that the sensors are wired correctly; white wires to white terminal and white/black wires to grey terminal.



If the green receiving sensor LED is blinking, the sensors are obstructed or misaligned:

1. Check for obstructions in the sensor light beam.
2. Align the sensors.
3. If the receiving sensor (green LED) faces direct sunlight, switch the receiving sensor with the sending sensor and repeat STEP 12 Install the Protector System® page 27 to assure proper operation.

STEP 17 Ensure the Door Control is Wired Correctly

If the door control has been installed and wired correctly, the command LED on the control panel will blink or the LED behind the push button will blink.

Adjustments

Introduction

WARNING

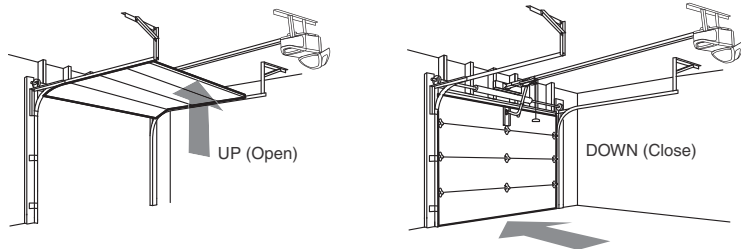
Without a properly installed safety reversal system, persons (particularly small children) could be **SERIOUSLY INJURED** or **KILLED** by a closing garage door.

- Incorrect adjustment of garage door travel limits will interfere with proper operation of safety reversal system.
- After **ANY** adjustments are made, the safety reversal system **MUST** be tested. Door **MUST** reverse on contact with 1-1/2" (3.8 cm) high object (or 2x4 laid flat) on floor.

CAUTION

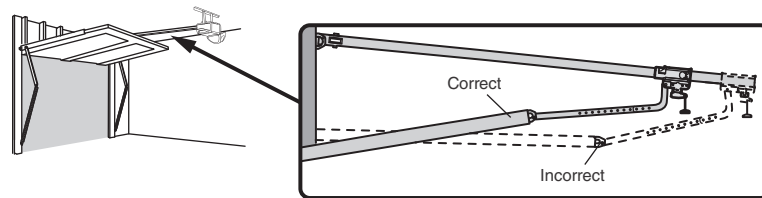
To prevent damage to vehicles, be sure fully open door provides adequate clearance.

Your garage door opener is designed with electronic controls to make setup and adjustments easy.



ONE-PIECE DOORS ONLY

When setting the UP travel for a one-piece door ensure that the door does not slant backwards when fully open (UP). If the door is slanted backwards, this will cause unnecessary bucking and/or jerking when the door is opening or closing.



PROGRAMMING BUTTONS

The programming buttons are located on the left side panel of the garage door opener and are used to program the travel. While programming, the UP and DOWN buttons can be used to move the door as needed.

Adjustment

1 - Program the Travel

WARNING

Without a properly installed safety reversal system, persons (particularly small children) could be **SERIOUSLY INJURED** or **KILLED** by a closing garage door.

- Incorrect adjustment of garage door travel limits will interfere with proper operation of safety reversal system.
- After ANY adjustments are made, the safety reversal system **MUST** be tested. Door **MUST** reverse on contact with 1-1/2" (3.8 cm) high object (or 2x4 laid flat) on floor.

While programming the travel, the UP and DOWN buttons can be used to move the door as needed. The Safety Reversing Sensors will be disconnected during the Program the Travel process. During the Automatic Force Setup, the door will automatically open and close.

1 Press and hold the Adjustment Button until the UP Button begins to flash and/or a beep is heard.

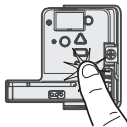


The Safety Reversing Sensors will be disconnected during the Program the Travel process.

2 Press and hold the UP Button until the door is in the desired UP position.



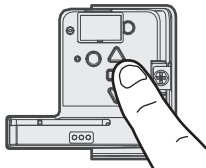
3 Once the door is in the desired UP position, press and release the Adjustment Button. The garage door opener lights will flash twice, and the DOWN Button will begin to flash.



4 Press and hold the DOWN button until the door is in the desired DOWN position.



5 Once the door is in the desired DOWN position, press and release the Adjustment Button. The garage door opener lights will flash twice. Program the Travel is now complete. If the garage door opener lights flash 5 times, then programming has timed out and the Travel Limits have not been set. Please restart the Program the Travel process.



2 - Automatic Force Set Up

Once both the up and down positions have been manually set, the Safety Reversing Sensors will reconnect and become operational. Then, the opener will enter a force-sensing operation by automatically moving the door open and close. The garage door opener will sound an audible and visual alert before automatically opening and closing the door. The garage door opener will beep three times, confirming that the Automatic Force Setup completed successfully. Adjustment is complete.

If you hear one long beep after the door attempts to move, then the Automatic Force Set Up has not completed successfully. Please start over at step 1 of Program the Travel.



Adjustments

3 - Test the Safety Reversal System

WARNING

Without a properly installed safety reversal system, persons (particularly small children) could be **SERIOUSLY INJURED** or **KILLED** by a closing garage door.

- Safety reversal system **MUST** be tested every month.
- After **ANY** adjustments are made, the safety reversal system **MUST** be tested. Door **MUST** reverse on contact with 1-1/2" (3.8 cm) high object (or 2x4 laid flat) on the floor.

- 1** With the door fully open, place a 1-1/2 inch (3.8 cm) board (or a 2x4 laid flat) on the floor, centered under the garage door.



- 2** Press the remote control push button to close the door. The door **MUST** reverse when it makes contact with the board.



If the door stops but does not reverse:

1. Repeat Program the Travel (see Adjustment Step 1).
2. Repeat the Safety Reversal test.

If the test continues to fail, call a trained door systems technician.

4 - Test the Protector System®

WARNING

Without a properly installed safety reversing sensor, persons (particularly small children) could be **SERIOUSLY INJURED** or **KILLED** by a closing garage door.

- 1** Open the door. Place an obstruction in the path of the door.



- 2** Press the remote control push button to close the door. The door will not move more than an inch (2.5 cm).



The garage door opener will not close from a remote control if the LED in either safety reversing sensor is off (alerting you to the fact that the sensor is misaligned or obstructed).

If the garage door opener closes the door when the safety reversing sensor is obstructed (and the sensors are no more than 6 inches [15 cm] above the floor), call for a trained door systems technician.

Battery Backup

Install the Battery

MODEL B2210T, B2211T, B2212T, and B2215T

WARNING

To reduce the risk of FIRE or INJURY to persons:

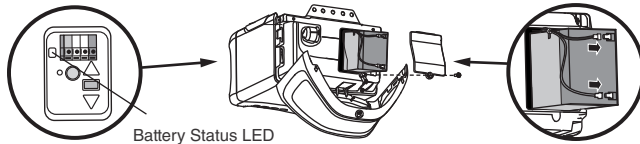
- Disconnect ALL electric and battery power BEFORE performing ANY service or maintenance.
- Use ONLY Chamberlain part # G4228 for replacement battery.
- DO NOT dispose of battery in fire. Battery may explode. Check with local codes for disposal instructions.

CAUTION

ALWAYS wear protective gloves and eye protection when changing the battery or working around the battery compartment.

The 12V battery backup allows access in and out of your garage, even when the power is out. The battery does not have to be fully charged to operate the garage door opener. When the garage door opener is operating on battery power, it may run slower, and the following features are disabled:

- Garage door opener lights
- myQ® App control and monitoring
- Unattended close including Timer-to-Close



1. Unplug the garage door opener.
2. Open the light lens on the right side panel of the garage door opener. Use a Phillips head screwdriver to remove the battery cover on the garage door opener.
3. Partially insert the battery into the battery compartment with the terminals facing out.
4. Connect red (+) and black (-) wires from the garage door opener to the corresponding terminals on the battery.
5. Replace the battery cover.
6. Plug in the garage door opener.
7. Wait for the green Battery Status LED to start flashing before proceeding to test the battery.

Test the Battery

Depending on the power level, the battery may need to charge before performing the test. The garage door opener must be unplugged to test the battery.

1. Open and close the door using the remote control or door control. While the motor is on, the battery status LED will either glow solid orange indicating opener is operating on battery power or will flash indicating low battery power. **NOTE:** The garage door opener may run slower if the battery is not fully charged.
2. Plug in the garage door opener. Verify the battery status LED is flashing green, indicating the battery is charging.

Charge the Battery

The battery charges when the garage door opener is plugged into a 120Vac electrical outlet that has power and requires 24 hours to fully charge. A fully charged battery supplies 12Vdc to the garage door opener for up to 24 hours of normal operation during an electrical power outage. After the electrical power has been restored, the battery will recharge within 24 hours. The battery will last approximately 1 to 2 years with normal usage. Instructions for replacement are provided with the battery. To obtain maximum battery life and prevent damage, disconnect the battery when the garage door opener is unplugged for an extended period of time, such as a summer or winter home.

Battery Status

Green battery status LED: All systems are normal.

- A solid green LED light indicates the battery is fully charged.
- A flashing green LED indicates the battery is being charged.

Orange battery status LED: The garage door opener has lost power and is in battery backup mode.

- A solid orange LED while the motor is on indicates the garage door opener is operating on battery power.
- A flashing orange LED while the motor is on indicates the battery is low.
- The opener beeps every 2 seconds while operating on battery power.

Red battery status LED: The battery needs to be replaced.

- A solid red LED indicates the battery will no longer hold a charge. Go to chamberlain.com to purchase a replacement battery to allow your system to operate during a power outage.

myQ® App Control

Connect With Your Smartphone

YOU WILL NEED:

- Wi-Fi® enabled smartphone, tablet, or laptop
- Broadband Internet connection
- Wi-Fi® signal in the garage (**2.4 GHz, 802.11b/g/n required**), see page 5
- Password for your home network (router's main account, not guest network)
- myQ® serial number located on the garage door opener

DOWNLOAD THE myQ® APP TO SET UP AN ACCOUNT AND CONNECT

Open and close your door, get alerts, and set schedules from anywhere. Connected smart garage door openers also receive software updates to ensure the opener has the latest operational features. The garage door opener must run through a complete cycle before it will activate Wi-Fi® programming.

1. Download the myQ® App.
2. Set up an account and connect.

If you already have the myQ® App installed:

1. Check that your mobile device has the latest software.
2. Download the latest version of the myQ® App.



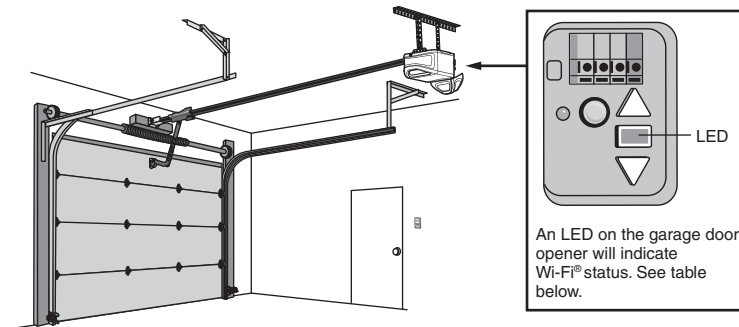
For more information on connecting your garage door opener, visit support.chamberlaingroup.com.

NOTES:

myQ® App control WILL NOT work if the garage door opener is operating on battery power. To erase the Wi-Fi settings from the opener, see page 42.

Google Play and the Google Play logo are trademarks of Google LLC.

App Store and the Apple and App Store logos are trademarks of Apple Inc.



Wi-Fi Status	
LED	Definition
Blue	Off - Wi-Fi® is not turned on. Blinking - Garage door opener is in Wi-Fi® learn mode. Solid - Mobile device connected to the garage door opener.
Blue and Green	Blinking - Attempting to connect to router.
Green	Blinking - Attempting to connect to the Internet server. Solid - Wi-Fi® has been set up and garage door opener is connected to the Internet.

IMPORTANT SAFETY INSTRUCTIONS



To reduce the risk of SEVERE INJURY or DEATH:

1. READ AND FOLLOW ALL WARNINGS AND INSTRUCTIONS.
2. ALWAYS keep remote controls out of reach of children. NEVER permit children to operate or play with garage door control push buttons or remote controls.
3. ONLY activate garage door when it can be seen clearly, it is properly adjusted, and there are no obstructions to door travel.
4. ALWAYS keep garage door in sight and away from people and objects until completely closed. NO ONE SHOULD CROSS THE PATH OF THE MOVING DOOR.
5. NO ONE SHOULD GO UNDER A STOPPED, PARTIALLY OPENED DOOR.
6. If possible, use emergency release handle to disengage trolley ONLY when garage door is CLOSED. Use caution when using this release with the door open. Weak or broken springs or unbalanced door could result in an open door falling rapidly and/or unexpectedly and increasing the risk of SEVERE INJURY or DEATH.
7. NEVER use emergency release handle unless garage doorway is clear of persons and obstructions.
8. NEVER use handle to pull garage door open or closed. If rope knot becomes untied, you could fall.
9. After ANY adjustments are made, the safety reversal system MUST be tested.
10. Safety reversal system MUST be tested every month. Garage door MUST reverse on contact with 1-1/2" (3.8 cm) high object (or a 2x4 laid flat) on the floor. Failure to adjust the garage door opener properly increases the risk of SEVERE INJURY or DEATH.
11. ALWAYS KEEP GARAGE DOOR PROPERLY BALANCED (see page 5). An improperly balanced door may NOT reverse when required and could result in SEVERE INJURY or DEATH.
12. ALL repairs to cables, spring assemblies and other hardware, ALL of which are under EXTREME tension, MUST be made by a trained door systems technician.
13. ALWAYS disconnect electric and battery power to garage door opener BEFORE making ANY repairs or removing covers.
14. This operator system is equipped with an unattended operation feature. The door could move unexpectedly. NO ONE SHOULD CROSS THE PATH OF THE MOVING DOOR.
15. DO NOT install on a one-piece door if using devices or features providing unattended close. Unattended devices and features are to be used ONLY with sectional doors.

16. SAVE THESE INSTRUCTIONS.

Using your Garage Door Opener

The garage door opener can be activated through a wall-mounted door control, remote control, wireless keyless entry, or myQ® App.

When the door is closed and the garage door opener is activated, the door will open. If the door makes contact with an obstruction while opening, the door will stop, opener beeps, and lights flash 5 times. When the door is in any position other than closed and the garage door opener is activated, the door will close. If the garage door makes contact with an obstruction while closing, the door will reverse, opener beeps and lights flash 5 times. However, you can close the door if you hold the button on the door control or keyless entry until the door is fully closed.

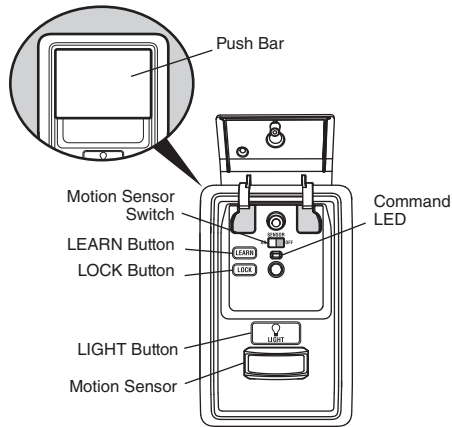
The safety reversing sensors do not affect the opening cycle. The safety reversing sensor must be connected and aligned correctly before the garage door opener will move in the down direction.

The garage door opener lights will turn on when the opener is initially plugged in, the opener is activated, or power is restored after interruption. The garage door opener lights automatically turn off after a set length of time. To adjust the light settings, see *Using your Door Control*.

Operation

Using your Door Control

MOTION DETECTING CONTROL PANEL



SYNCHRONIZE THE DOOR CONTROL: To synchronize the door control to the garage door opener, press the push bar until the garage door opener activates (it may take up to 3 presses). Test the door control by pressing the push bar; each press of the push bar will activate the garage door opener.

PUSH BAR: Press the push bar to open or close the door.

LEARN BUTTON: Use to program compatible remote controls, wireless keyless entries, and myQ® devices to the garage door opener.

MOTION SENSOR: Turns the garage door opener lights on when motion is detected. Lights stay on for 4-1/2 minutes (factory setting), then turn off. Set the motion sensor switch ON or OFF to control this feature.

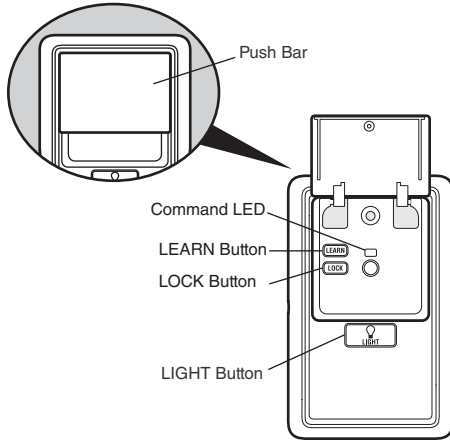
LOCK: Prevents remote controls from working, while still allowing activation from the door control and keyless entry. (Factory setting is OFF.)

Turn ON: Press and hold the LOCK button for 2 seconds. The command LED will flash as long as the lock feature is on.

Turn OFF: Press and hold the LOCK button for 2 seconds. The command LED will stop flashing and normal operation will resume.

Operation

MULTI-FUNCTION CONTROL PANEL



SYNCHRONIZE THE DOOR CONTROL: To synchronize the door control to the garage door opener, press the push bar until the garage door opener activates (it may take up to 3 presses). Test the door control by pressing the push bar; each press of the push bar will activate the garage door opener.

PUSH BAR: Press the push bar to open or close the door.

LEARN BUTTON: Use to program compatible remote controls, wireless keyless entries, and myQ® devices to the garage door opener.

LOCK: Prevents remote controls from working, while still allowing activation from the door control and keyless entry. (Factory setting is OFF.)

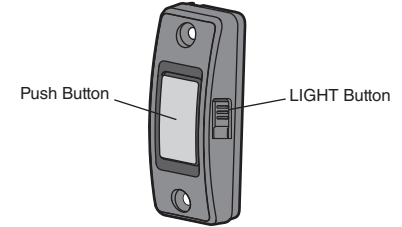
Turn ON:

Press and hold the LOCK button for 2 seconds. The command LED will flash as long as the lock feature is on.

Turn OFF:

Press and hold the LOCK button for 2 seconds. The command LED will stop flashing and normal operation will resume.

PUSH BUTTON DOOR CONTROL



SYNCHRONIZE THE DOOR CONTROL: To synchronize the door control to the garage door opener, press the push button until the garage door opener activates (it may take up to 3 presses).

PUSH BUTTON: Press the button to open or close the door.

LIGHT/LEARN BUTTON: Press the LIGHT button to turn the garage door opener lights on or off. When the lights are turned on, they will stay on until the LIGHT button is pressed again, or until the garage door opener is activated. Once the garage door opener is activated the lights will turn off after the specified period of time (the factory setting is 4-1/2 minutes). The LIGHT button will not control the lights when the door is in motion.

Operation

Remote Control and Keyless Entry

PRE-PROGRAMMED REMOTE CONTROL INCLUDED, NO NEED TO PROGRAM THE REMOTE.

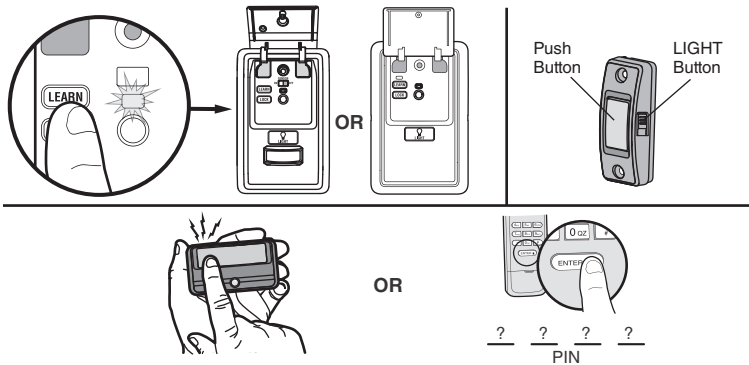
To add or reprogram a remote control, follow the instructions below. Older Chamberlain remote controls are NOT compatible.

PROGRAM USING THE MOTION DETECTING OR MULTI-FUNCTION CONTROL PANEL

1. Press the LEARN button on the door control to enter programming mode. The command LED will flash once.
2. Press the LEARN button again, the command LED will flash once again.
3. **Remote control:** Press the button on the remote control that you wish to operate your garage door.
Keyless entry: Enter a 4-digit personal identification number (PIN) of your choice on the keyless entry keypad. Then press the ENTER button.

PROGRAM USING THE PUSH BUTTON DOOR CONTROL

1. Press and hold the light button and the push button until the push button LED begins to blink.
2. **Remote control:** Press the button on the remote control that you wish to operate your garage door.
Keyless entry: Enter a 4-digit personal identification number (PIN) of your choice on the keyless entry keypad. Then press the ENTER button.

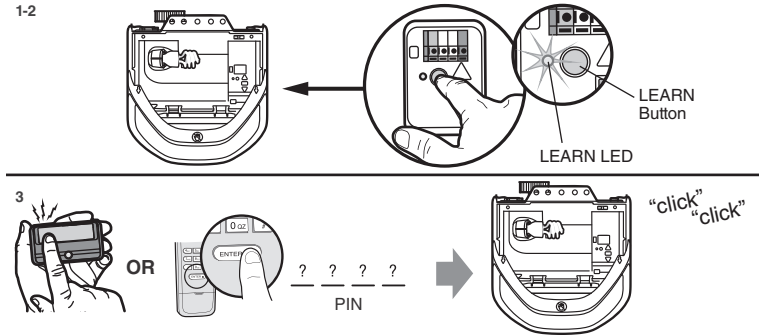


The garage door opener lights will flash (or two clicks will be heard) when the code has been programmed. Repeat the steps for programming additional remote controls or keyless entry devices. If programming is unsuccessful, repeat the steps using the LEARN button on the garage door opener.

PROGRAM USING THE GARAGE DOOR OPENER LEARN BUTTON

1. Locate the LEARN Button.
2. Press and immediately release the LEARN button. The LEARN LED will glow steady for 30 seconds. Within 30 seconds...
3. **Remote Control:** Press and hold the button on the remote control that you wish to use.
Keyless Entry: Enter a 4-digit personal identification number (PIN) of your choice on the keyless entry keypad. Then press and hold the ENTER button.

Release the button when the garage door opener lights blink or two clicks are heard.



HomeLink®

If your vehicle is equipped with HomeLink®, a Compatibility Bridge™ (not included) may be necessary for certain vehicles. Visit bridge.chamberlain.com to find out if a Bridge is needed.

Operation

Erase the Memory

ERASE ALL REMOTE CONTROLS AND KEYLESS ENTRIES

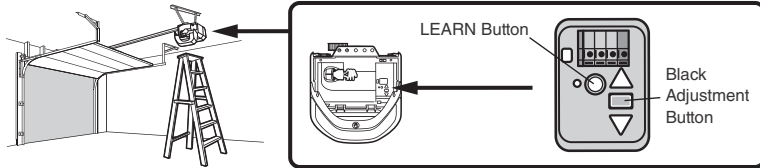
1. Press and hold the LEARN button on garage door opener until the learn LED goes out (approximately 6 seconds). All remote control and keyless entry codes are now erased. Reprogram any accessory you wish to use.

ERASE ALL DEVICES INCLUDING myQ® ENABLED ACCESSORIES

1. Press and hold the LEARN button on garage door opener until the learn LED goes out (approximately 6 seconds).
2. Immediately press and hold the LEARN button again until the learn LED goes out. All codes are now erased. Reprogram any accessory you wish to use.

ERASE THE CONNECTION FROM GARAGE DOOR OPENER TO HOME Wi-Fi® NETWORK

1. Press and hold the black adjustment button on the garage door opener until 3 beeps are heard (Approximately 6 seconds).



To Open the Door Manually

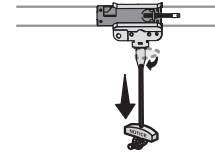
WARNING

To prevent possible **SERIOUS INJURY** or **DEATH** from a falling garage door:

- If possible, use emergency release handle to disengage trolley **ONLY** when garage door is **CLOSED**. Weak or broken springs or unbalanced door could result in an open door falling rapidly and/or unexpectedly.
- **NEVER** use emergency release handle unless garage doorway is clear of persons and obstructions.
- **NEVER** use handle to pull door open or closed. If rope knot becomes untied, you could fall.

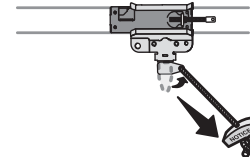
DISCONNECT THE TROLLEY

1. The door should be fully closed if possible.
2. Pull down on the emergency release handle so the trolley release arm snaps to the vertical position. The door can now be raised and lowered as often as necessary.



TO RE-CONNECT THE TROLLEY

1. Pull the emergency release handle toward the garage door opener so the trolley release arm snaps to the horizontal position. The trolley will reconnect on the next UP or DOWN operation, either manually or by using the door control or remote control.



Maintenance

Maintenance Schedule

EVERY MONTH

- Manually operate door. If it is unbalanced or binding, call a trained door systems technician.
- Check to be sure door opens and closes fully. Adjust if necessary, see page 33.
- Test the safety reversal system. Adjust if necessary, see page 35.

EVERY YEAR

- Oil door rollers, bearings, and hinges. The garage door opener does not require additional lubrication. Do not grease the door tracks.
- Test the battery backup and consider replacing the battery to ensure the garage door opener will operate during an electrical power outage, see page 36 to test the battery backup.

The Remote Control Battery

WARNING

To prevent possible **SERIOUS INJURY** or **DEATH**:

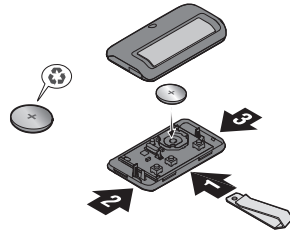
- NEVER allow small children near batteries.
- If battery is swallowed, immediately notify doctor.

To reduce risk of fire, explosion, or chemical burn:

- Replace **ONLY** with 3V CR2032 coin batteries.
- **DO NOT** recharge, disassemble, heat above 212°F (100°C), or incinerate.

The 3V CR2032 Lithium battery should produce power for up to 3 years. If the battery is low, the remote control's LED will not flash when the button is pressed.

To replace battery, pry open the case first in the middle (1), then at each side (2 and 3) with the visor clip. Replace the batteries with only 3V CR2032 coin cell batteries. Insert battery positive side up. Dispose of old batteries properly.



NOTICE: This device complies with part 15 of the FCC rules and Innovation, Science and Economic Development Canada license-exempt RSSs. Operation is subject to the following two conditions: (1) this device may not cause harmful interference, and (2) this device must accept any interference received, including interference that may cause undesired operation.

Any changes or modifications not expressly approved by the party responsible for compliance could void the user's authority to operate the equipment.

This device must be installed to ensure a minimum 20 cm (8 in.) distance is maintained between users/bystanders and device.

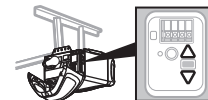
This device has been tested and found to comply with the limits for a Class B digital device, pursuant to part 15 of the FCC rules and Industry Canada ICES standard. These limits are designed to provide reasonable protection against harmful interference in a residential installation. This equipment generates, uses and can radiate radio frequency energy and, if not installed and used in accordance with the instructions, may cause harmful interference to radio communications. However, there is no guarantee that interference will not occur in a particular installation. If this equipment does cause harmful interference to radio or television reception, which can be determined by turning the equipment off and on, the user is encouraged to try to correct the interference by one or more of the following measures:

- Reorient or relocate the receiving antenna.
- Increase the separation between the equipment and receiver.
- Connect the equipment into an outlet on a circuit different from that to which the receiver is connected.
- Consult the dealer or an experienced radio/TV technician for help.

Troubleshooting

Diagnostic Chart

Your garage door opener is programmed with self-diagnostic capabilities. The UP and DOWN arrows on the garage door opener flash the diagnostic codes.



DIAGNOSTIC CODE		SYMPTOM	SOLUTION
△ Flashes	▽ Flashes		
1	1	The garage door opener will not close.	Safety reversing sensors are not installed, connected, or wires may be cut. Inspect sensor wires for a disconnected or cut wire.
1	2	The garage door opener will not close.	There is a short or reversed wire for the safety reversing sensors. Inspect safety sensor wire at all staple and connection points, replace wire or correct as needed.
1	3	The door control will not function.	The wires for the door control are shorted or the door control is faulty. Inspect door control wires at all staple and connection points, replace wire or correct as needed.
1	4	The garage door opener will not close.	Safety reversing sensors are misaligned or were momentarily obstructed. Realign both sensors until both LEDs are glowing steady. Make sure nothing is hanging or mounted on the door that would interrupt the sensor's path while closing.
1	5	Door moves 6-8" (15-20 cm) stops or reverses.	Manually open and close the door. Check for binding or obstructions, such as a broken spring or door lock, correct as needed. Check wiring connections at travel module and at the logic board. Replace travel module if necessary.
		No movement, only a single click.	Manually open and close the door. Check for binding or obstructions, such as a broken spring or door lock, correct as needed. Replace logic board if necessary.
		Opener hums for 1-2 seconds no movement.	Manually open and close the door. Check for binding or obstructions, such as a broken spring or door lock, correct as needed. Replace motor if necessary.
1	6	Door coasts after it has come to a complete stop.	Program travel to coasting position or have door balanced by a trained door systems technician.
2	1-5	No movement, or sound.	Replace logic board.
3	2	Unable to set the travel or retain position.	Check travel module for proper assembly, replace if necessary.
3	3	The battery status LED is constantly flashing green.	Battery backup charging circuit error, replace the logic board.
4	1-4	Door is moving, stops or reverses. Opener beeps and lights flash.	Manually open and close the door. Check for binding or obstructions, such as a broken spring or door lock, correct as needed. If the door is binding or sticking contact a trained door systems technician. If door is not binding or sticking attempt to reprogram travel, see Program the Travel page 34.
4	5	Opener runs approximately 6-8" (15-20 cm), stops and reverses.	Communication error to travel module. Check travel module connections, replace travel module if necessary.
4	6	The garage door opener will not close.	Safety reversing sensors are misaligned or were momentarily obstructed. Realign both sensors to ensure both LEDs are steady and not flickering. Make sure nothing is hanging or mounted on the door that would interrupt the sensor's path while closing.

Troubleshooting

Additional Troubleshooting

My garage door opener stops, reverses, beeps, and flashes its lights:

- Garage door opener has been activated through a device or feature such as Timer-to-Close or garage door monitor.

My remote control will not activate the garage door:

- Verify the lock feature is not activated on the door control.
- Reprogram the remote control.
- If the remote control will still not activate the door check the diagnostic codes to ensure the garage door opener is working properly.

My door will not close:

The safety reversing sensor must be connected and aligned correctly before the garage door opener will move in the down direction.

- Check for binding or obstructions anywhere along the track to garage floor.
- The safety reversing sensor must be connected and aligned correctly before the garage door opener will move in the down direction.
 - Verify the safety reversing sensors are properly installed, aligned, and free of any obstructions.
 - If the receiving sensor (green LED) faces direct sunlight, switch the receiving sensor with the sending sensor so the receiving sensor is not in direct sunlight.

Wi-Fi® troubleshooting

The garage door opener will NOT enter Wi-Fi® learn mode:

- After the initial installation of the garage door opener, the garage door opener must complete a full cycle (open and closed) before the Wi-Fi® learn mode can be activated.
- If there has been a recent power outage, the garage door opener must complete a full cycle before the Wi-Fi® learn mode can be activated.

See page 37 to activate Wi-Fi LEARN mode.

If your black adjustment button is not solid green, go to support.chamberlaingroup.com.

My vehicle's Home link® is not programming to my garage door opener:

Compatibility Bridge (not included) may be necessary for certain vehicles. Visit bridge.chamberlain.com to find out if a Bridge is needed.

My neighbor's remote control opens my garage door:

Erase the memory from your garage door opener and reprogram the remote control(s).

Safety sensor LED lights are not lit:

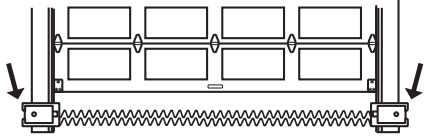
If the sensor LEDs do not glow steadily when the opener is activated, see SAFETY SENSOR TROUBLESHOOTING page 32.

Warranty

Contact Information

STOP!

This garage door opener **WILL NOT** work until the safety reversing sensors are properly installed and aligned.



Visit us online at:

support.chamberlaingroup.com

The proper operation of this product is dependent on your compliance with the instructions regarding installation, operation, and maintenance and testing. Failure to comply strictly with those instructions will void this limited warranty in its entirety.

If, during the limited warranty period, this product appears to contain a defect covered by this limited warranty, visit chamberlain.com, before dismantling this product. You will be advised of disassembly and shipping. Then send the product or component, pre-paid and insured, as directed to our service center for warranty repair. Please include a brief description of the problem and a dated proof-of-purchase receipt with any product returned for warranty repair. Products returned to Seller for warranty repair, which upon receipt by Seller are confirmed to be defective and covered by this limited warranty, will be repaired or replaced (at Seller's sole option) at no cost to you and returned pre-paid. Defective parts will be repaired or replaced with new or factory-rebuilt parts at Seller's sole option. [You are responsible for any costs incurred in removing and/or reinstalling the product or any component].

ALL IMPLIED WARRANTIES FOR THE PRODUCT, INCLUDING BUT NOT LIMITED TO ANY IMPLIED WARRANTIES OF MERCHANTABILITY AND FITNESS FOR A PARTICULAR PURPOSE, ARE LIMITED IN DURATION TO THE APPLICABLE LIMITED WARRANTY PERIOD SET FORTH ABOVE FOR THE RELATED COMPONENT(S), AND NO IMPLIED WARRANTIES WILL EXIST OR APPLY AFTER SUCH PERIOD. Some States and Provinces do not allow limitations on how long an implied warranty lasts, so the above limitation may not apply to you. THIS LIMITED WARRANTY DOES NOT COVER NON-DEFECT DAMAGE, DAMAGE CAUSED BY IMPROPER INSTALLATION, OPERATION OR CARE (INCLUDING, BUT NOT LIMITED TO ABUSE, MISUSE, FAILURE TO PROVIDE REASONABLE AND NECESSARY MAINTENANCE, UNAUTHORIZED REPAIRS OR ANY ALTERATIONS TO THIS PRODUCT), LABOR CHARGES FOR REINSTALLING A REPAIRED OR REPLACED UNIT, REPLACEMENT OF CONSUMABLE ITEMS (E.G., BATTERIES IN REMOTE CONTROL TRANSMITTERS AND LIGHT BULBS), OR UNITS INSTALLED FOR NON-RESIDENTIAL USE. THIS LIMITED WARRANTY DOES NOT COVER ANY PROBLEMS WITH, OR RELATING TO, THE GARAGE DOOR OR GARAGE DOOR HARDWARE, INCLUDING BUT NOT LIMITED TO THE DOOR SPRINGS, DOOR ROLLERS, DOOR ALIGNMENT OR HINGES. THIS LIMITED WARRANTY ALSO DOES NOT COVER ANY PROBLEMS CAUSED BY INTERFERENCE. UNDER NO CIRCUMSTANCES SHALL SELLER BE LIABLE FOR CONSEQUENTIAL, INCIDENTAL OR SPECIAL DAMAGES ARISING IN CONNECTION WITH USE, OR INABILITY TO USE, THIS PRODUCT. IN NO EVENT SHALL SELLER'S LIABILITY FOR BREACH OF WARRANTY, BREACH OF CONTRACT, NEGLIGENCE OR STRICT LIABILITY EXCEED THE COST OF THE PRODUCT COVERED HEREBY. NO PERSON IS AUTHORIZED TO ASSUME FOR US ANY OTHER LIABILITY IN CONNECTION WITH THE SALE OF THIS PRODUCT.

Some states and provinces do not allow the exclusion or limitation of consequential, incidental or special damages, so the above limitation or exclusion may not apply to you. This limited warranty gives you specific legal rights, and you may also have other rights, which vary from state to state and province to province.

CHAMBERLAIN® LIMITED WARRANTY

The Chamberlain Group, Inc.® ("Seller") warrants to the first retail purchaser of this product, for the residence in which this product is originally installed, that it is free from defects in materials and/or workmanship for a specific period of time as defined below (the "Warranty Period"). The warranty period commences from the date of purchase.

WARRANTY PERIOD					
Model	Parts	Motor	Accessories	Belt	Battery Backup
B2202	1 year	6 years	1 year	5 years	—
B2210T	1 year	6 years	1 year	5 years	1 year
B2211T	1 year	6 years	1 year	5 years	1 year
B2212T	1 year	6 years	1 year	5 years	1 year
B2215T	1 year	6 years	1 year	5 years	1 year
B2401	1 year	10 years	1 year	15 years	—
B2405	1 year	10 years	1 year	15 years	—
B353	1 year	6 years	1 year	5 years	—
B4505T	5 years	Lifetime	1 year	Lifetime	—

Automatic Garage Door Opener Safety & Maintenance Guide

Garage Door Opener Safety—An Automatic Decision

A garage door is the largest moving object in the home. An improperly adjusted garage door and opener can exert deadly force when the door closes – which could lead to entrapment of children or adults and subsequent injury or death.

Proper installation, operation, maintenance, and testing of the garage door and automatic opener are necessary to provide a safe, trouble-free system. Careless operation or allowing children to play with or use garage door opener controls are also dangerous situations that can lead to tragic results. A few simple precautions can protect your family and friends from potential harm. Please review the safety and maintenance tips in this guide carefully and keep it for reference. Check the operation of your garage door and opener to ensure they function in a safe and trouble-free manner. Be sure to read all Important Safety Information found in your garage door opener's manual as it provides more details and safety considerations than can be supplied with this guide.

Garage Door Openers are Not Toys

Discuss garage door and opener safety with your children. Explain the danger of being trapped under the door.



Stay away from a moving door.



The wall-mounted push button should be out of reach of children, at least 5 feet from the nearest standing surface and away from all moving parts. Mount and use the button where you can clearly see the closing garage door.




Keep transmitters and remote controls out of reach of children. Do not let children play with or use transmitters or other remote control devices.



Keep the door in sight until it completely closes when using the wall-mounted push button or transmitter.

Routine Maintenance Can Prevent Tragedies

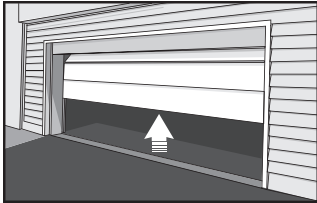
Make monthly inspection and testing of your garage door and opener system a part of your regular routine. Review your owner's manual for both the door and door opener. If you don't have the owner's manuals, contact the manufacturer(s) and request a copy for your specific model(s). Look for the opener model number on the back of the power unit.

 **WARNING—SPRINGS ARE UNDER HIGH TENSION. ONLY QUALIFIED INDIVIDUALS SHOULD ADJUST THEM.**



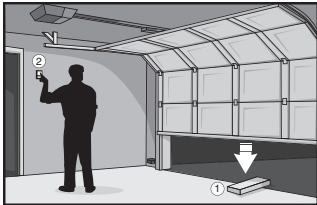
Visually check the door and installation:

- Starting with the door in the closed position, use the manual disconnect on the opener to disconnect the door.
- Look for signs of wear or damage on hinges, rollers, springs, and door panels.
- These parts may require periodic lubrication. Check the owner's manual for suggested maintenance.
- If any signs of damage are evident, contact a trained door systems technician for assistance.
- Verify the photo eye height is no higher than 6" from the garage floor.



Test the door for proper operation:

- Open and close the door manually using handles or suitable gripping points.
- The door should move freely and without difficulty.
- **The door should balance and stay partially open 3–4 feet above the floor.**
- If you detect any signs of improper operation, contact a trained door systems technician for assistance.



Test the opener safety features:

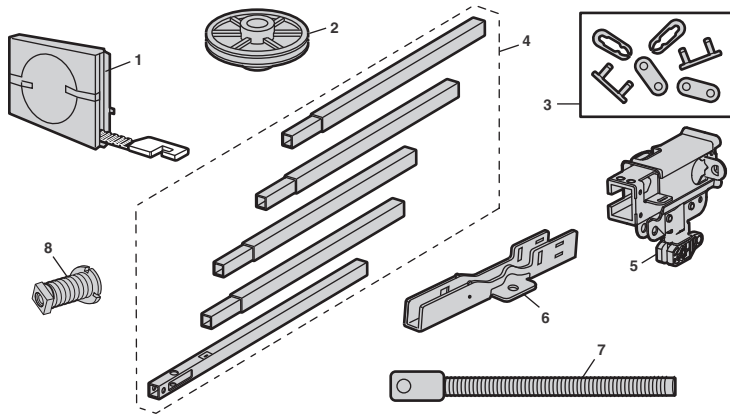
- Reconnect the opener to the door using the manual disconnect and open the door.
- Place a 2x4 board flat in the path of the door (1) and try to close it (2). The door should stop when it comes in contact with the 2x4 and then reverse direction.
- Block the photoelectric sensor by waving an object in front of the sensor and attempt to close the door. The door should not close unless the wall-mounted push button is manually held during operation.
- If the opener does not perform as described, contact a trained door systems technician for assistance.



Repair Parts

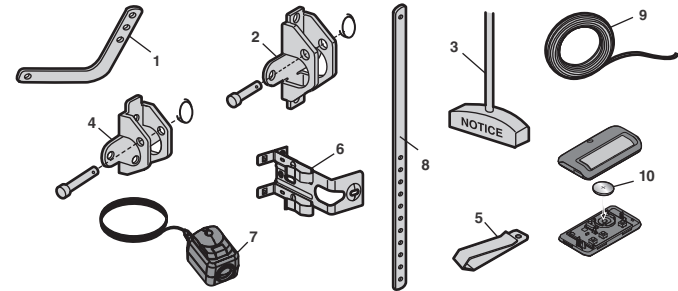
Rail Assembly Parts

Description	Part Number
1 Belt	041A5250
2 Pulley	144C0054M
3 Master link	004A1008
4 Rail	041A5665
5 Trolley assembly: threaded shaft (1), clevis pin (1), and ring (1)	041C5141-2
6 "U" bracket	041D0598-1
7 D-shape threaded shaft	041A6689
8 Spring trolley nut	041B4103
Not shown	
Wear pads	041A7276
Hardware bag	041A7920-2



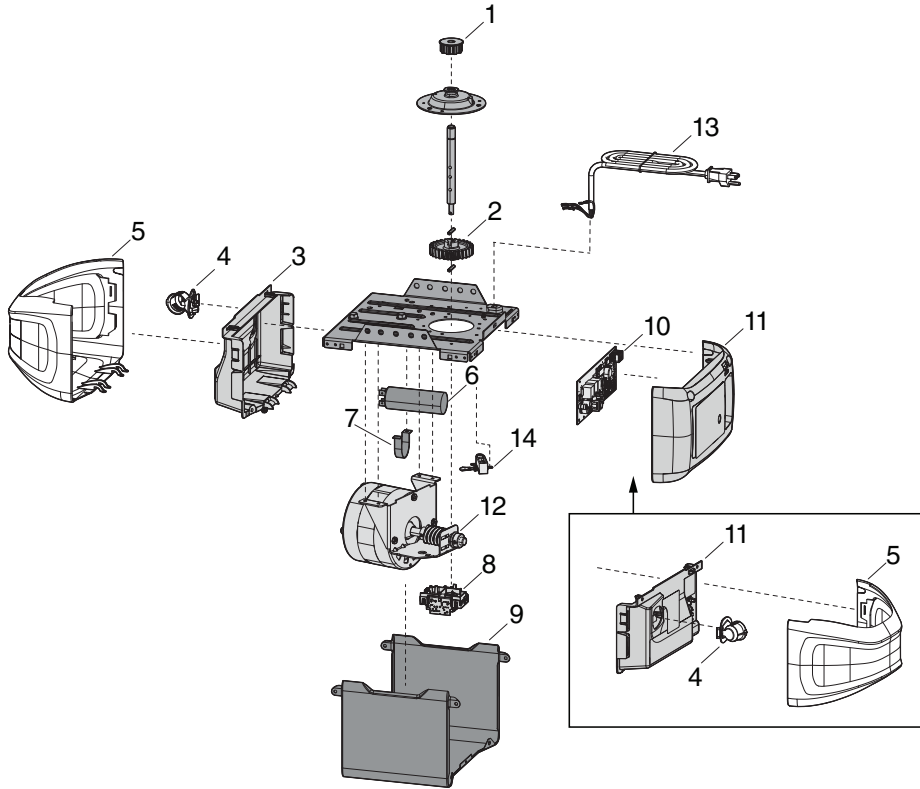
Installation Parts

Description	Part Number
1 Curved door arm	041B0035B
2 Door bracket with clevis pin and fastener	041A5047-1
3 Emergency release rope and handle	041A282 8
4 Header bracket with clevis pin and fastener	041A5047-2
5 Remote control visor clip	K029B0137
6 Safety sensor bracket	041-0155-000
7 Safety sensor kit: receiving and sending sensors with 2-conductor wire	041-0136-000
8 Straight door arm	4178B0034B
9 White and red/white wire	041B4494-1
10 3V CR2032 lithium battery	K010A0020
Not shown	
Installation Manual	114-5556-000



Repair Parts

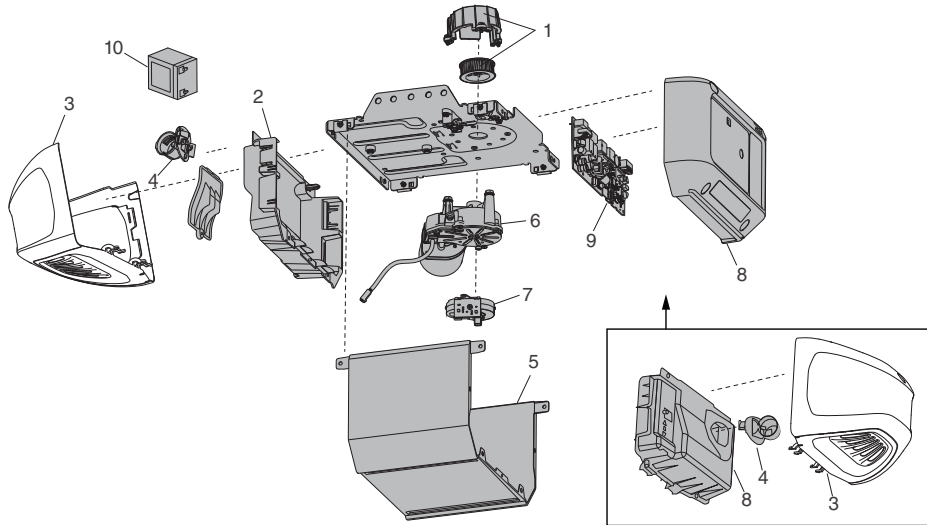
Garage Door Opener Parts - Models B2202, B2401, B2405, and B353



Description	Part Number
1 Sprocket cover	041A4371
2 Gear	041A5885-4
3 End Panel with Light Cover	041-0037-000
4 Light socket	041C0279
5 Light Lens	K108D0079M
6 Capacitor	030B0532-1
7 Capacitor Bracket	K012A0373
8 Travel Module	041D7742-7
9 Cover	041-0024-000
10 Receiver Logic Board	050ACTB
11 Logic Board End Panel	041-0025-000
12 Motor with Travel Module	041D7440
13 Line Cord	041B4245-1
14 Terminal Block	041A3150
Not Shown	
Wire Harness	041A7946

Repair Parts

Garage Door Opener Parts - Models B2210T, B2211T, B2212T, B2215T, and B4505T



Description	Part Number
1 Sprocket cover	041B5348-2
2 Front End Panel	041A7618
3 Light Lens	041-0144
4 Light Socket	041C0279
5 Cover	041-0229-000
6 Motor with Travel Module	041D8006-1
7 Travel Module	041D8071-4
8 Logic Board End Panel	041D0233-3
9 Logic Board	050DCTBMC
10 12V Battery	G4228
Not Shown	
Wire Harness	041D9069
Transformer	041D0277-1
Line Cord	041B4245
Terminal Block	041A3150

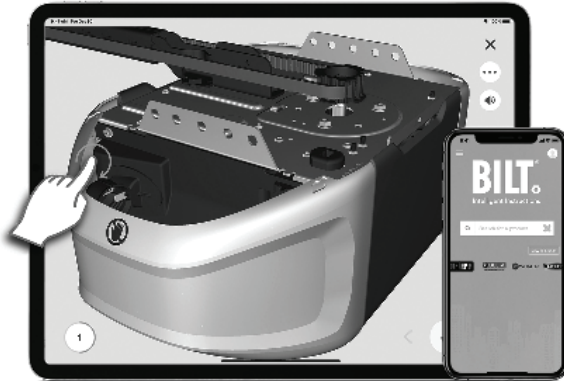
© 2023, The Chamberlain Group LLC
All Rights Reserved
Wi-Fi® is a registered trademark of Wi-Fi Alliance
Home Link® is a registered trademark of Gentex Corporation

114-5745-020

The Chamberlain Group LLC
300 Windsor Drive
Oak Brook, IL 60523

CHAMBERLAIN.

Las instrucciones paso a paso
interactivas y sencillas en 3D
de este producto están disponibles en



BILT® INSTRUCCIONES INTELIGENTES

Descargue la aplicación gratuita
BILT antes de ensamblar

ESCANEE PARA OBTENER LAS INSTRUCCIONES EN 3D DE BILT



IMPULSADO POR THE INTELIGENT ESTABLISHMENT

Descargue la aplicación
gratuita myQ®



Supervise y controle su garaje desde cualquier lugar
y reciba alertas en tiempo real, con tranquilidad.



Disponible en la mayoría de los
dispositivos iOS y Android

Manual de instalación en el interior

Manual de instalación

Abrepuertas de garaje con cinta

Modelos B2202 • B2210T • B2211T • B2212T •
B2215T • B2401 • B2405 • B353 • B4505T

SOLO PARA USO RESIDENCIAL

CONTROL REMOTO
PREPROGRAMADO INCLUIDO

Para registrar su abrepuertas de garaje y recibir actualizaciones y ofertas de Chamberlain, visite chamberlain.registria.com o use el icono que aparece a continuación:



1. Tome una foto del icono de cámara que incluya los puntos (●).
2. Envíela por mensaje de texto al 71403 (EE. UU.).



- ¡Lea con atención este manual y el material de seguridad adjunto!
- Deje el manual cerca de la puerta del garaje después de la instalación.
- La puerta **NO SE CERRARÁ** a menos que el Protector System® esté conectado y bien alineado.
- Se requieren verificaciones periódicas del abrepuertas de garaje para garantizar el funcionamiento seguro.
- La etiqueta con el número de modelo se encuentra en el panel izquierdo de su abrepuertas de garaje.
- Este abrepuertas de garaje es compatible con los accesorios myQ® y Security+ 2.0®.
- **NO** debe instalarse en una puerta de una sola pieza si se utilizan dispositivos o funciones que brinden un cierre sin supervisión. Los dispositivos y las funciones sin supervisión deben usarse **SOLO** con puertas seccionales.



Descargue la aplicación
myQ®



Disponible en la mayoría de los dispositivos iOS y Android

Contenido

Preparación	5
Ensamblaje	9
Instalación	14
Instalación del control de la puerta	24
Instalación del Protector System®	27
Conexión de la alimentación	31
Ajustes	33
Batería de respaldo	36
Control de la aplicación myQ®	37
Conexión con su smartphone	37
Funcionamiento	38
Uso del abrepuertas de garaje	38
Uso del control de la puerta	39
Control remoto e ingreso sin llave	41
HomeLink®	41
Borrado de memoria	42
Apertura manual de la puerta	42
Mantenimiento	43
Resolución de problemas	44
Garantía	46
Guía de seguridad y mantenimiento del abrepuertas de garaje automático	47
Piezas de repuesto	49
Piezas para montar el riel	49
Piezas de instalación	49
Modelos B2202, B2401, B2405 y B353	50
Modelos B2210T, B2211T, B2212T, B2215T, y B4505T	51

Análisis de símbolos de seguridad y palabras de señalización

Este abrepuertas de garaje se ha diseñado y probado para ofrecer un servicio seguro siempre que se instale, opere, mantenga y pruebe en estricto cumplimiento de las instrucciones y advertencias de este manual.

ADVERTENCIA

Mecánica

ADVERTENCIA

Eléctrica

Cuando vea estos símbolos de seguridad y palabras de señalización en las páginas siguientes, estos le alertarán de la posibilidad de **lesiones graves o la muerte** si no cumple con las advertencias que los acompañan. El peligro puede provenir de algo mecánico o de una descarga eléctrica. Lea las advertencias detenidamente.

PRECAUCIÓN

Cuando vea esta palabra de señalización en las páginas siguientes, le alertará de la posibilidad de daños a la puerta de garaje o al abrepuertas de garaje si no cumple con las declaraciones de precaución que la acompañan. Léalas con atención.



ADVERTENCIA: Con este producto, puede exponerse a sustancias químicas, incluido el plomo, que el Estado de California reconoce como causantes de cáncer o anomalías congénitas u otros daños reproductivos. Para obtener más información, visite www.P65Warnings.ca.gov

Funcionamiento sin supervisión

La función Temporizador de cierre (TTC), la aplicación myQ® y el monitor de puerta de garaje y compuerta myQ® son ejemplos de cierres sin supervisión y SOLO deben utilizarse con puertas seccionales. Cualquier dispositivo o función que permita que la puerta se cierre sin estar en la línea de visión de la puerta se considera un cierre sin supervisión. La función Temporizador de cierre (TTC), la aplicación myQ® y cualquier otro dispositivo myQ® SOLO deben usarse con puertas seccionales.

Las imágenes de este manual son únicamente de referencia, y su producto podría tener un aspecto diferente.

Preparación

Revisar la puerta

⚠ ADVERTENCIA

Para evitar posibles LESIONES GRAVES o la MUERTE:

- Llame SIEMPRE a un técnico capacitado en sistemas de puertas si la puerta de garaje se traba, bloquea o no está balanceada. Una puerta de garaje no balanceada podría NO invertir la dirección de movimiento cuando se necesita.
- NUNCA intente aflojar, mover o ajustar la puerta de garaje, resortes, cables, poleas, soportes o el herraje de estos; TODOS están bajo tensión EXTREMA.
- Deshabilite TODAS las trabas y quite TODAS las sogas conectadas a la puerta ANTES de instalar y operar el abrepuertas de garaje para evitar enredos.
- NO debe instalarse en una puerta de una sola pieza si se utilizan dispositivos o funciones que proporcionen un cierre sin supervisión.
Los dispositivos y las funciones sin supervisión deben usarse SOLO con puertas seccionales.

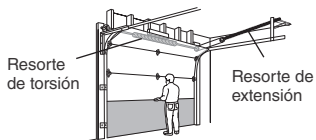
⚠ PRECAUCIÓN

Para evitar daños en la puerta de garaje y en el abrepuertas:

- Deshabilite SIEMPRE las trabas ANTES de instalar y operar el abrepuertas.
- SOLO use el abrepuertas de garaje a 120 V, 60 Hz para evitar averías y daños.

Antes de empezar:

1. Deshabilite las trabas y retire todas las sogas conectadas a la puerta de garaje.
2. Levante la puerta hasta la mitad. Suéltela. Si está balanceada, debe quedarse en su lugar, sostenida por completo por los resortes.
3. Levante y baje la puerta para verificar si se adhiere o traba. Si la puerta se adhiere, traba o no está balanceada, llame a un técnico capacitado en sistemas de puerta.
4. Verifique el sello en la parte inferior de la puerta. Cualquier espacio entre el suelo y la parte inferior de la puerta no debe exceder 1/4" (6 mm). De lo contrario, el sistema de inversión de seguridad podría no funcionar correctamente.
5. El abrepuertas debe instalarse arriba del centro de la puerta. Si hay un resorte de torsión o una placa de soporte central en el camino del soporte del cabezal, puede instalarse dentro de los 4 pies (1.2 m) a la izquierda o derecha del centro de la puerta. Consulte la página 15.



Antes de conectarlo con su smartphone

Supervise y controle su puerta de garaje desde cualquier lugar mediante la aplicación myQ®. Necesitará un enrutador con Wi-Fi® y un smartphone u otro dispositivo móvil. Asegúrese de que su dispositivo móvil esté conectado a su red Wi-Fi®. Sostenga el dispositivo móvil en el lugar donde se instalará el abrepuertas de garaje y compruebe el Wi-Fi®.



Compruebe la intensidad de la señal. Si observa lo siguiente:



La señal Wi-Fi es potente. ¡Ya está todo listo!
Instale su nuevo abrepuertas de garaje.

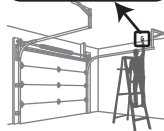


La señal Wi-Fi es débil.
Es probable que el abrepuertas de garaje se conecte a su red Wi-Fi. De lo contrario, intente una de las opciones siguientes.



No hay señal Wi-Fi. Intente una de las opciones siguientes:

- Acerque el enrutador al abrepuertas de garaje para minimizar las interferencias de las paredes y otros objetos.
- Compre un extensor de alcance del Wi-Fi.



Visite support.chamberlaingroup.com para obtener más información.

Consulte la página 37 del control de la aplicación myQ® para conectar su abrepuertas de garaje a la red Wi-Fi.

Preparación

Inventario en la caja

Guarde la caja y el material de embalaje hasta que la instalación y el ajuste se hayan completado. Las instrucciones para los accesorios estarán incluidas con el accesorio y no se incluyen en este manual. Las imágenes utilizadas en este manual son solo de referencia, y es posible que su producto tenga un aspecto diferente.

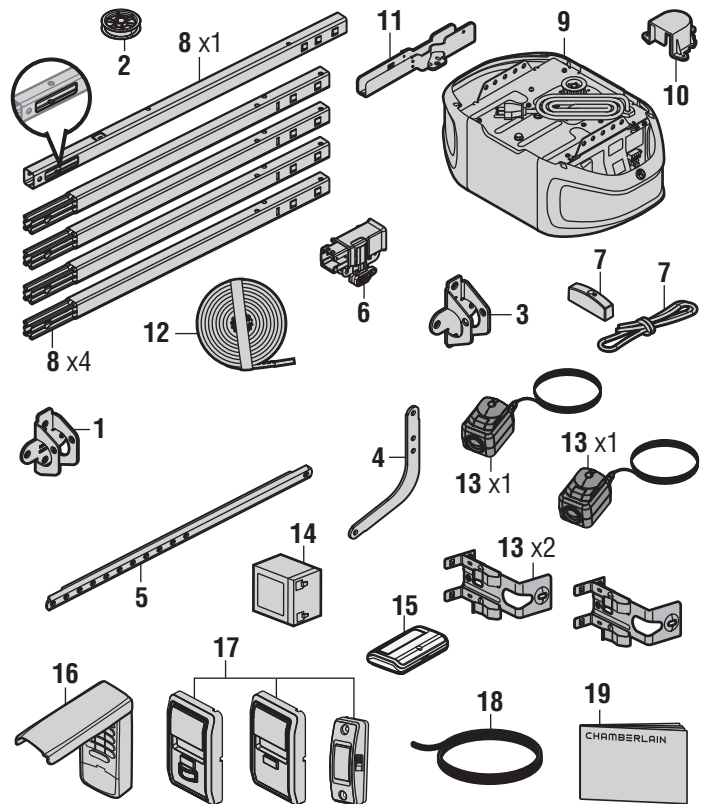
1. Soporte del cabezal
2. Polea
3. Soporte de la puerta
4. Brazo curvo de la puerta
5. Brazo recto de la puerta (incluido dentro de la sección del riel delantero)
6. Carro
7. Soga y manija de liberación de emergencia
8. Riel (1 sección delantera y 4 secciones centrales)
9. Abrepuertas de garaje (unidad del motor)
10. Cubierta de la rueda dentada y tornillos
11. Soporte en "U"
12. Cinta
13. **El Protector System®**
Sensores de inversión de seguridad con 2 cables conductores blanco y negro conectados: sensor emisor (1), sensor receptor (1) y soportes del sensor de seguridad (2)
14. Batería de respaldo: Modelos B2210T, B2212T y B2215T
15. Control remoto
16. Teclado numérico inalámbrico: Modelos B2215T, B2405 y B4505T
17. Botón pulsador del control de la puerta: Modelos B2202, B2210T, B2211T, B2212T, B2401 y B353
Panel del control multifunción: Modelos B2215T y B2405
Panel de control de detección de movimiento: Modelo B4505T
18. Cable blanco y rojo/blanco
19. Manual de instalación y todas las etiquetas de advertencia

Consulte Herrajes en la página 8.

Visite chamberlain.com para conocer accesorios de reemplazo o adicionales:

Modelo de control remoto de 3 botones 953EV-P2

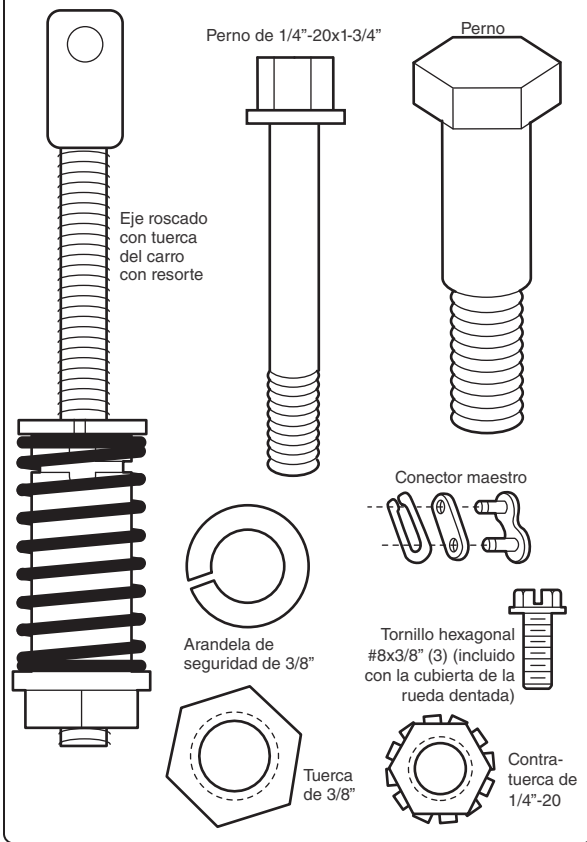
Modelo de teclado numérico inalámbrico 940EV-P2



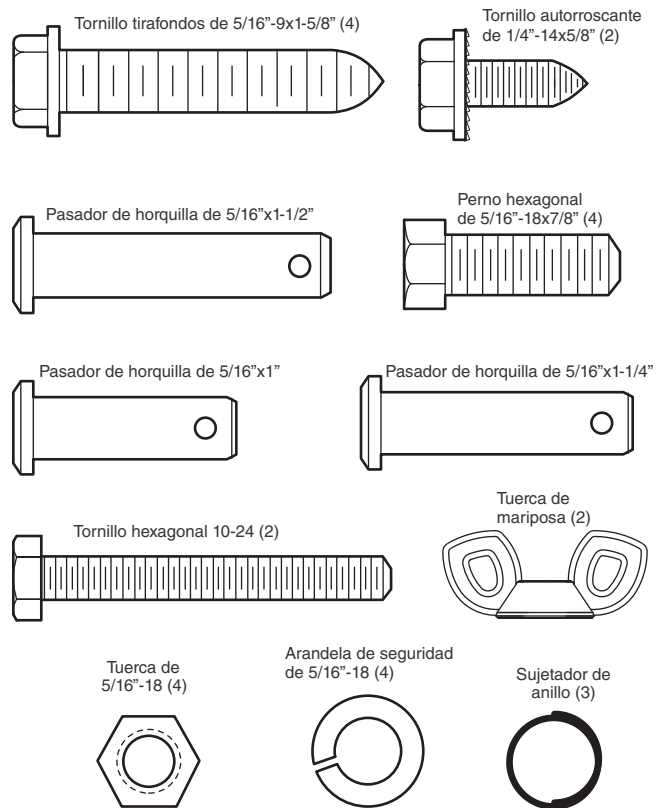
Preparación

Herrajes

ENSAMBLAJE



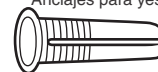
INSTALACIÓN



CONTROL DE LA PUERTA

Modelos B2405 y B4505T

Anclajes para yeso (2)



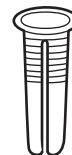
Tornillo 6-32x1" (2)



Tornillo 6ABx1" (2)



Modelos B2202, B2212T y B353



Anclajes para yeso (2)



Tornillo 6ABx1-1/2" (2)

Grapas aisladas (no se muestran)

Ensamblaje

PASO 1 Ensamblar el riel e instalar el carro

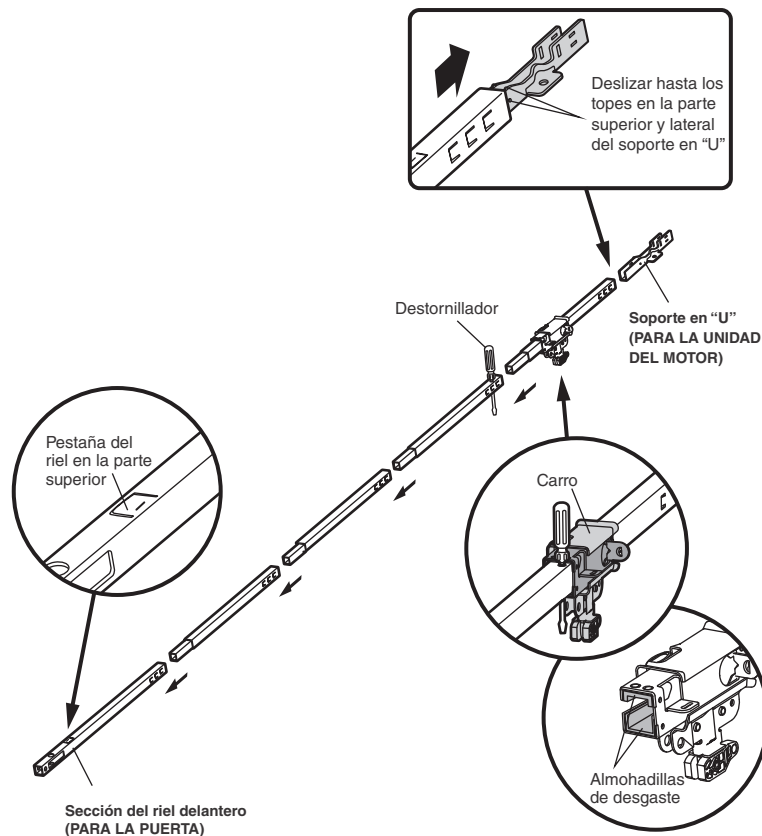
PRECAUCIÓN

Para evitar LESIONES por pinzado, mantenga las manos y los dedos lejos de las bisagras al ensamblar el riel.

Para evitar dificultades a la hora de la instalación, no ponga el abrepuertas de garaje en funcionamiento hasta que no se le indique hacerlo.

El riel delantero tiene una "ventana" recortada en el extremo de la puerta. La pestaña del riel DEBE estar en la parte superior del riel una vez ensamblado.

1. Retire el brazo recto de la puerta y el soporte colgante embalados en el interior del riel delantero y déjelos a un lado para los pasos 5 y 9 de la instalación. **NOTA:** Para evitar LESIONES al desembalar el riel, retire con sumo cuidado el brazo recto de la puerta almacenado dentro de la sección del riel.
2. Alinee las secciones del riel sobre una superficie plana, tal como se muestra, y deslice los extremos cónicos hacia el interior de los más grandes. Las pestañas a lo largo del lateral se trabarán en posición.
3. Coloque la unidad del motor en el material de embalaje para proteger la cubierta, y apoye el extremo posterior del riel sobre ella. Para mayor conveniencia, coloque un soporte debajo del extremo delantero del riel.
4. Como tope temporal, inserte un destornillador dentro del orificio en la segunda sección del riel desde la unidad del motor, tal como se muestra.
5. Compruebe que haya 4 almohadillas plásticas de desgaste dentro del carro interior. Si se hubieran aflojado durante el transporte, verifique todo el material de embalaje. Vuelva a engancharlas en su posición, tal como se muestra.
6. Deslice el conjunto del carro hacia el destornillador, tal como se muestra.
7. Deslice el riel sobre el soporte en "U", hasta que llegue a todos los topes en la parte superior y en los laterales del soporte en "U".



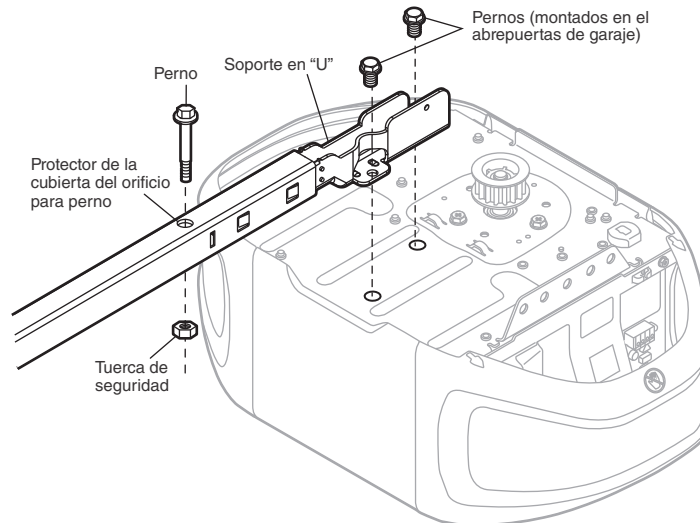
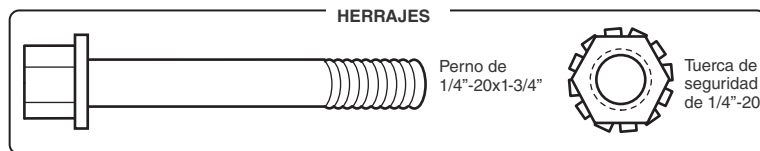
Ensamblaje

PASO 2 Sujetar el riel a la unidad del motor

PRECAUCIÓN

Para evitar daños GRAVES al abrepuertas de garaje, utilice SOLO aquellos pernos/sujetadores montados en la parte superior del abrepuertas.

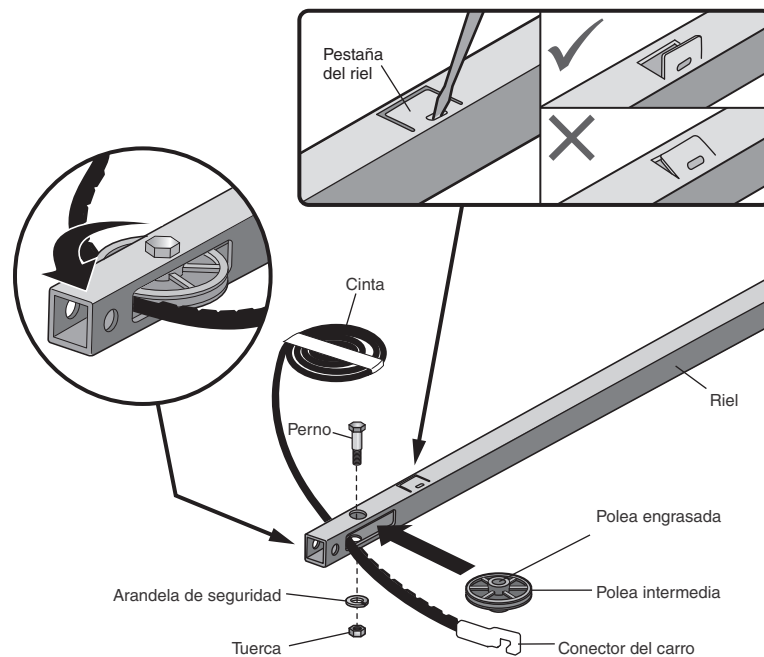
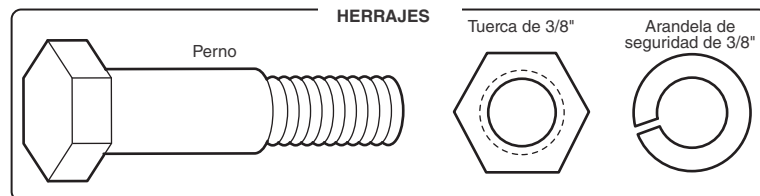
1. Inserte un perno de 1/4"-20 x 1-3/4" en el orificio para perno del protector de la cubierta, en el extremo posterior del riel, tal como se muestra. Apriete firmemente con una contratuerca de 1/4"-20. **NO** apriete demasiado.
2. Retire los pernos de la parte superior de la unidad del motor.
3. Use la caja de cartón para apoyar el extremo delantero del riel.
4. Coloque el soporte en "U", con el lado plano hacia abajo sobre la unidad del motor y alinee los orificios del soporte con los orificios para perno.
5. Sujete el soporte en "U" con los pernos previamente retirados; **NO** use ninguna herramienta eléctrica. El uso de herramientas eléctricas puede causar daños permanentes al abrepuertas de garaje.



Ensamblaje

PASO 3 Instalar la polea intermedia

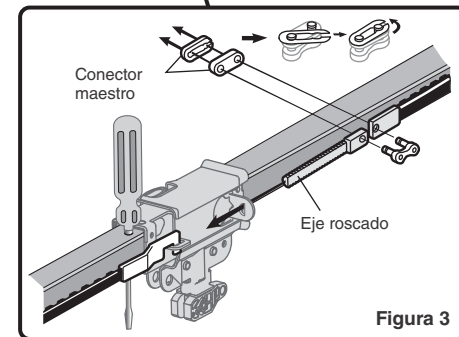
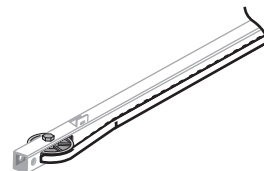
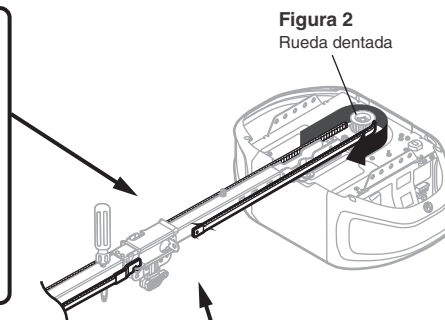
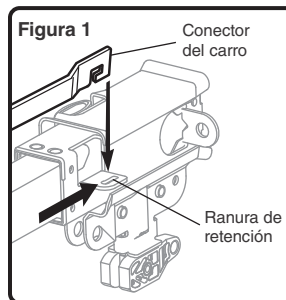
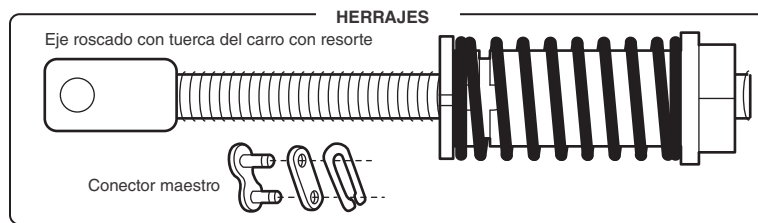
1. Coloque la cinta junto al riel, tal como se muestra. Sujete el extremo al conector del carro enganchado y pase alrededor de 12" (30 cm) de cinta a través de la ventana. Mantenga el lado acanalado hacia el riel y déjelo colgar hasta el paso 4 de ensamblaje.
2. Quite la cinta de la polea intermedia. El centro interno debería estar previamente engrasado. Si está seco, vuelva a engrasar para asegurar un correcto funcionamiento.
3. Coloque la polea intermedia en la ventana, tal como se muestra.
4. Inserte el perno intermedio desde la parte superior a través del riel y la polea. Ajuste con una arandela de seguridad de 3/8" y una tuerca debajo del riel hasta que la arandela de seguridad esté apretada.
5. Rote la polea para asegurarse de que pueda girar libremente.
6. Busque la pestaña del riel. La pestaña del riel está entre el perno de la polea tensora y el carro en la sección del riel frontal. Use un destornillador de cabeza plana y levante la pestaña del riel hasta que la pestaña quede vertical (90°).



Ensamblaje

PASO 4 Instalar la cinta

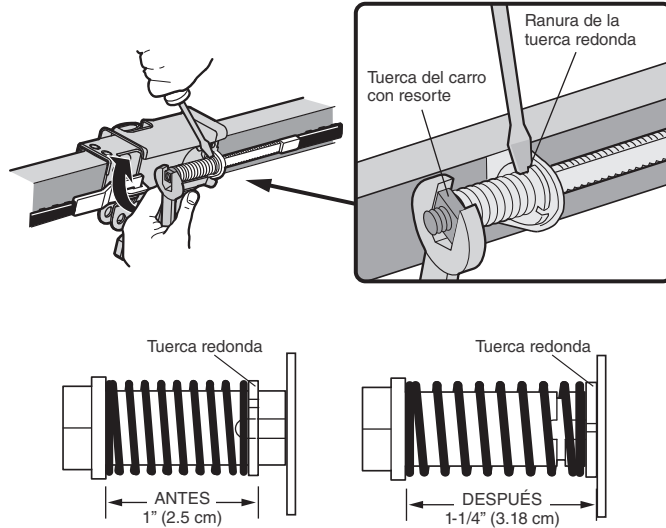
1. Enrolle la cinta alrededor de la polea intermedia y hacia el carro. El lado acanalado debe estar en contacto con la polea.
2. Enganche el conector del carro a la ranura de retención en el carro, tal como se muestra (Figura 1).
3. Una vez que el carro está contra el destornillador, distribuya el resto de la cinta a lo largo del riel hacia la unidad de motor y alrededor de la rueda dentada (Figura 2). Los dientes de la rueda dentada deben engranar la cinta.
4. Verifique para asegurarse de que la cinta no está retorcida. Conecte el eje roscado del carro con el conector maestro (Figura 3).
 - a. Empuje los pasadores de la barra del conector maestro a través de los orificios en el extremo de la cinta y el eje roscado del carro.
 - b. Empuje la tapa del conector maestro sobre los pasadores y más allá de las muescas para pasadores.
 - c. Deslice el extremo cerrado del resorte de enganche sobre uno de los pasadores. Empuje el extremo abierto del resorte de enganche sobre el otro pasador.
5. Quite la tuerca del carro con resorte del eje roscado.
6. Inserte el eje roscado del carro a través del orificio del carro.



Ensamblaje

PASO 5 Apretar la cinta

1. A mano, enrosque la tuerca del carro con resorte en el eje roscado hasta que el esté apretado para los dedos contra el carro. No use ninguna herramienta. Quite el destornillador.
2. Inserte la punta de un destornillador plano en una de las ranuras de la tuerca redonda y sujétela con firmeza contra el carro.
3. Apriete la tuerca del carro con resorte con una llave ajustable o una llave abierta de 7/16" un cuarto de giro hasta que el resorte se libere y ajuste la tuerca redonda contra el carro. Esto lleva el resorte a la tensión óptima de la cinta.



PASO 6 Instalar la cubierta de la rueda dentada

⚠ ADVERTENCIA

Para evitar posibles LESIONES GRAVES en los dedos al mover el abrepuertas de garaje realice lo siguiente:

- Mantenga SIEMPRE la mano alejada de la rueda dentada mientras opera el abrepuertas.
- Ajuste con cuidado la cubierta de la rueda dentada ANTES de operar.

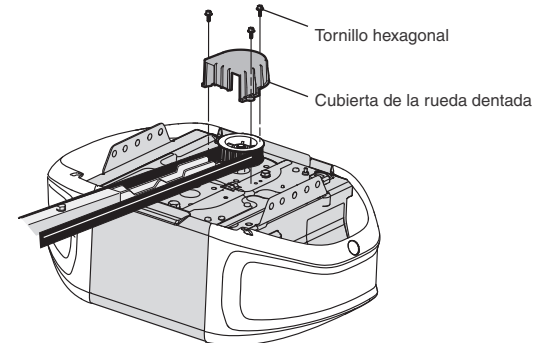
1. Coloque la cubierta de la rueda dentada sobre la rueda dentada como se muestra y sujete a la placa de montaje con los tornillos hexagonales de #8 x 3/8" suministrados.

Ahora terminó de ensamblar su abrepuertas de garaje. Lea las siguientes advertencias antes de proceder con la sección de instalación.

HERRAJES



Tornillos #8 x 3/8"
(montados en el abrepuertas de garaje) (3)



INSTRUCCIONES IMPORTANTES DE INSTALACIÓN

ADVERTENCIA

Para reducir el riesgo de LESIONES GRAVES o la MUERTE, realice lo siguiente:

1. LEA Y SIGA TODAS LAS ADVERTENCIAS E INSTRUCCIONES DE LA INSTALACIÓN.
2. Instale el abrepuertas de garaje SOLO sobre una puerta bien balanceada y lubricada. Una puerta mal balanceada podría NO invertirse cuando sea necesario y provocar LESIONES GRAVES o la MUERTE.
3. Un técnico capacitado en sistemas de puerta DEBE realizar TODAS las reparaciones de cables, conjuntos de resortes y otros herrajes ANTES de instalar el abrepuertas de garaje.
4. Deshabilite TODAS las trabas y quite TODAS las sogas conectadas a la puerta ANTES de instalar el abrepuertas de garaje para evitar enredos.
5. Donde sea posible, instale el abrepuertas a 7 pies (2.13 m) o más por encima del suelo.
6. Monte la liberación de emergencia al alcance pero al menos a 6 pies (1.83 m) por encima del suelo y evitando el contacto con vehículos para evitar la liberación accidental.
7. NUNCA conecte el abrepuertas de garaje a la fuente de alimentación hasta que se le instruya hacerlo.
8. NUNCA use relojes, anillos o prendas sueltas cuando instale o realice el mantenimiento del abrepuertas. Podrían quedar enganchados en la puerta del garaje o en los mecanismos del abrepuertas.
9. Instale el control de la puerta de garaje montado en la pared:
 - a la vista de la puerta de garaje;
 - fuera del alcance de niños pequeños, a una altura mínima de 5 pies (1.5 m) por encima del suelo, descansos, escalones u otras superficies adyacentes de tránsito;
 - lejos de TODAS las piezas móviles de la puerta.
10. Coloque la etiqueta de advertencia de atrapamiento en la pared, al lado del control de la puerta de garaje, en una ubicación visible.
11. Coloque la liberación de emergencia/etiqueta de prueba de inversión de seguridad a simple vista en el interior de la puerta de garaje.
12. Al completar la instalación, pruebe el sistema de inversión de seguridad. La puerta DEBE invertir la marcha al contacto con un objeto de 1-1/2" (3.8 cm) de alto (o 2x4 colocado plano) en el suelo.
13. NO debe instalarse en una puerta de una sola pieza si se utilizan dispositivos o funciones que brinden un cierre sin supervisión. Los dispositivos y las funciones sin supervisión deben usarse SOLO con puertas seccionales.

14. GUARDE ESTAS INSTRUCCIONES.

Instalación

PASO 1 Determinar la ubicación del soporte del cabezal

⚠ ADVERTENCIA

Para evitar posibles LESIONES GRAVES o la MUERTE:

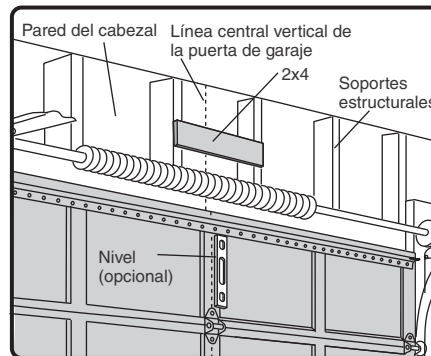
- El soporte del cabezal **DEBE** estar sujetado **RÍGIDAMENTE** al soporte estructural en la pared del cabezal o en el techo, ya que, de lo contrario, la puerta de garaje podría **NO** invertirse cuando sea necesario. **NO** instale el soporte del cabezal sobre un panel de yeso.
- **DEBEN** usarse anclajes para concreto si se monta el soporte del cabezal o la madera de 2x4 en mampostería.
- **NUNCA** intente aflojar, mover o ajustar la puerta de garaje, resortes de puerta, cables, poleas, soportes o el herraje de estos; **TODOS** están bajo tensión **EXTREMA**.
- Llame **SIEMPRE** a un técnico capacitado en sistemas de puerta si la puerta de garaje se atora, adhiere o no está balanceada. Una puerta de garaje no balanceada podría **NO** invertir la dirección de movimiento cuando se necesita.

Los procedimientos de instalación varían según el tipo de puerta de garaje. Siga las instrucciones que correspondan a su puerta.

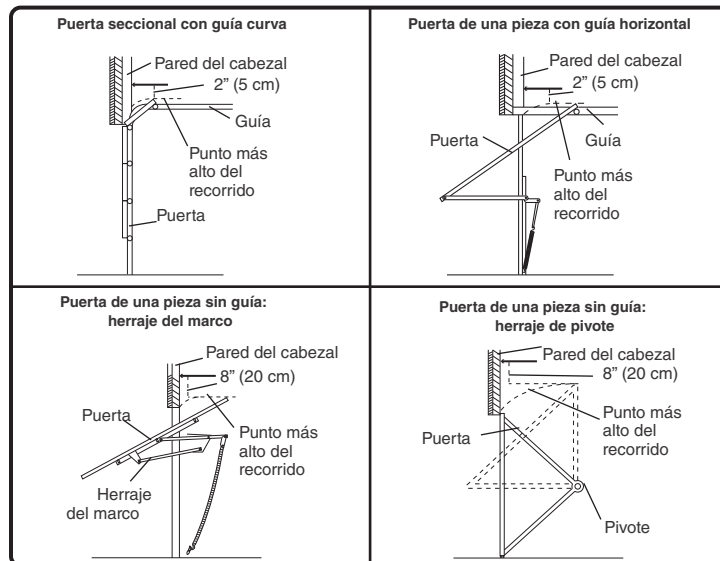
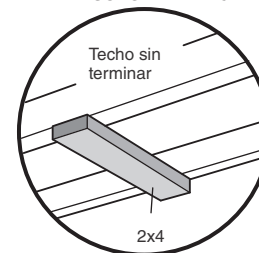
1. Cierre la puerta y marque la línea central vertical interior de la puerta de garaje.
2. Extienda la línea hacia la pared del cabezal por encima de la puerta. Puede fijar el soporte del cabezal a menos de 4 pies (1.22 m) a la izquierda o a la derecha del centro de la puerta solo si hay un resorte de torsión o una placa de soporte central en el camino; o puede fijarlo al techo (consulte la página 16) cuando el espacio libre resulte mínimo. Se puede montar en la pared boca abajo si es necesario, para ganar aproximadamente 1/2" (1 cm). Si necesita instalar el soporte del cabezal en una madera de 2x4 (en la pared o en el techo), utilice tornillos tirafondos (no suministrados) para fijar de forma segura la madera de 2x4 a los soportes estructurales como se muestra aquí y en la página 16.
3. Abra la puerta en el punto más alto del recorrido, tal como se muestra. Dibuje una línea horizontal de intersección en la pared del cabezal a 2" (5 cm) por encima del punto alto:
 - 2" (5 cm) por arriba del punto alto para una puerta seccional y una puerta de una pieza con guía.
 - 8" (20 cm) por arriba del punto alto para una puerta de una pieza sin guía.

Esta altura brindará un espacio libre de recorrido para el borde superior de la puerta.

NOTA: Si el número total de pulgadas excede la altura disponible en su garaje, use la altura máxima posible, o consulte la página 16 para la instalación en el techo.



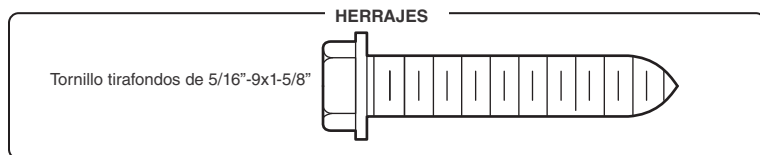
MONTAJE DE TECHO OPCIONAL PARA EL SOPORTE DEL CABEZAL



Instalación

PASO 2 Instalar el soporte del cabezal

Puede conectar el soporte del cabezal a la pared por arriba de la puerta de garaje o al techo. Siga las instrucciones que sean mejores para sus requisitos particulares. **No instale el soporte del cabezal sobre un panel de yeso. Si se instala en mampostería, use anclajes para concreto (no suministrados).**



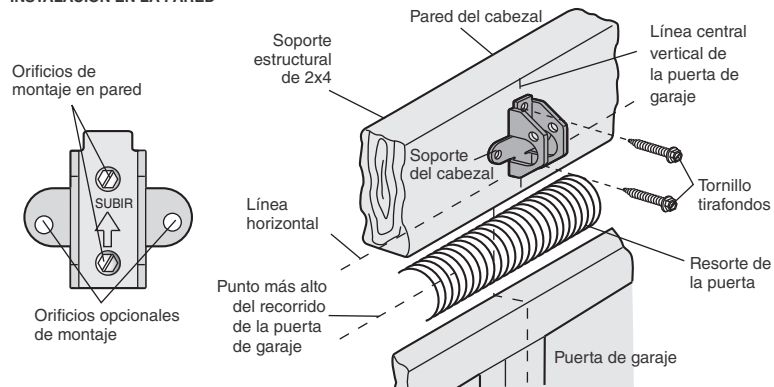
OPCIÓN A: INSTALACIÓN EN LA PARED

1. Centre el soporte en la línea central vertical con el borde inferior del soporte en la línea horizontal, tal como se muestra (con la flecha orientada hacia el techo).
2. Marque la serie vertical de orificios para el soporte. Taladre orificios piloto de 3/16" y sujete el soporte firmemente a un soporte estructural con los herrajes suministrados.

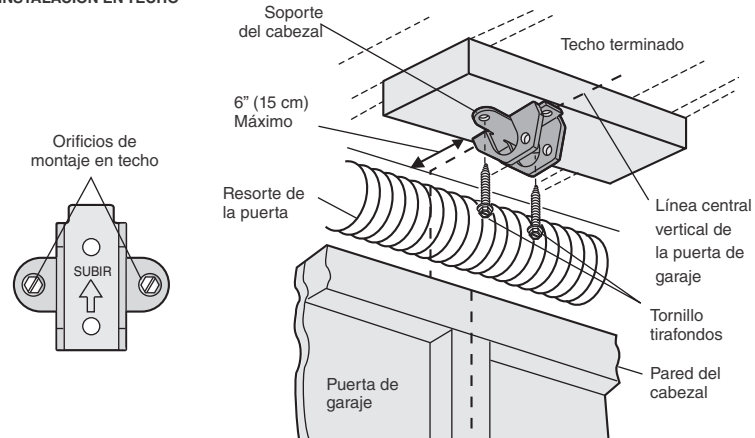
OPCIÓN B: INSTALACIÓN EN EL TECHO

1. Extienda la línea central vertical en el techo, tal como se muestra.
2. Centre el soporte en la marca vertical, a no más de 6" (15 cm) de la pared. Asegúrese de que la flecha quede orientada en dirección contraria a la pared. El soporte puede montarse al ras contra el techo cuando el espacio libre es mínimo.
3. Marque los orificios laterales. Taladre orificios piloto de 3/16" y sujete el soporte firmemente a un soporte estructural con los herrajes provistos.

INSTALACIÓN EN LA PARED



INSTALACIÓN EN TECHO

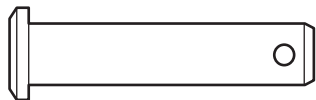


Instalación

PASO 3 Conectar el riel al soporte del cabezal

1. Posicione el abrepuertas en el suelo del garaje, debajo del soporte del cabezal. Use el material de embalaje como base protectora.
NOTA: Si el resorte de la puerta está en el camino, necesitará ayuda. Pida que alguien sujete el abrepuertas firmemente sobre un soporte temporal para permitir al riel evitar el resorte.
2. Posicione el soporte del riel contra el soporte del cabezal.
3. Alinee los orificios del soporte y únalos con un pasador de horquilla, tal como se muestra.
4. Inserte un sujetador de anillo para fijar.

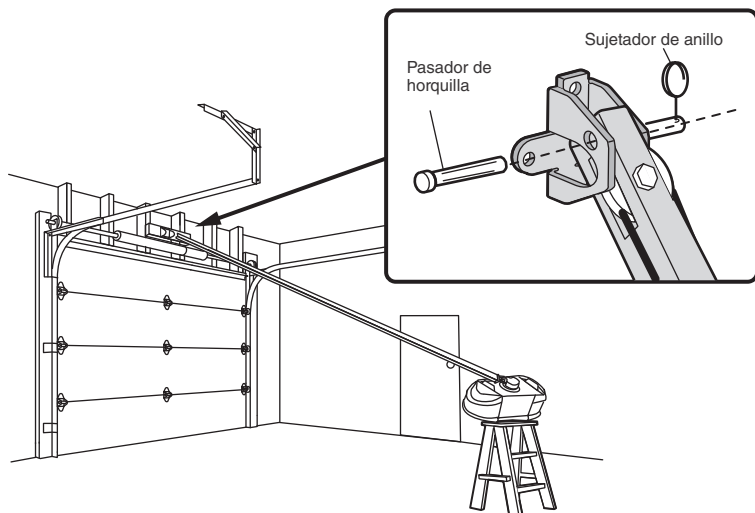
HERRAJES



Pasador de horquilla
5/16" x 1-1/2"



Sujetador de anillo



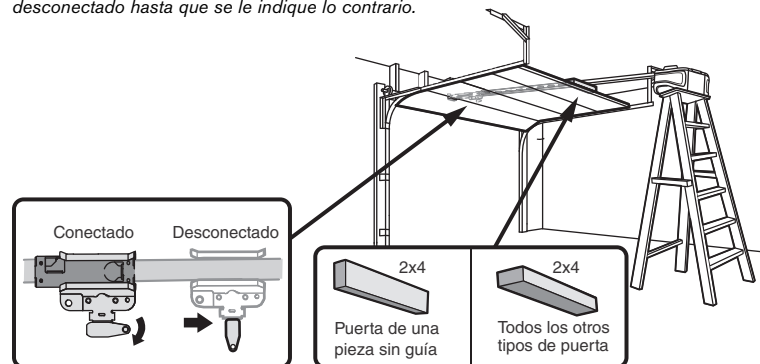
PASO 4 Posicionar el abrepuertas de garaje

⚠ PRECAUCIÓN

Para evitar daños a la puerta de garaje, apoye el riel del abrepuertas de garaje sobre la madera de 2x4 colocada en la sección superior de la puerta.

1. Retire el material de embalaje y levante el abrepuertas de garaje sobre una escalera.
2. Abra la puerta completamente y coloque una madera de 2x4 (apoyada de manera horizontal) debajo del riel. Para puertas de una pieza sin guía, coloque la madera de 2x4 de lado.

NOTA: Una madera de 2x4 es ideal para establecer la distancia entre el riel y la puerta. Si la escalera no tiene la altura suficiente, necesitará ayuda en este momento. Si la puerta choca con el carro cuando se levanta, tire del brazo de liberación del carro para desconectar el carro interior y exterior. Deslice el carro exterior hacia el abrepuertas de garaje. El carro puede permanecer desconectado hasta que se le indique lo contrario.



Instalación

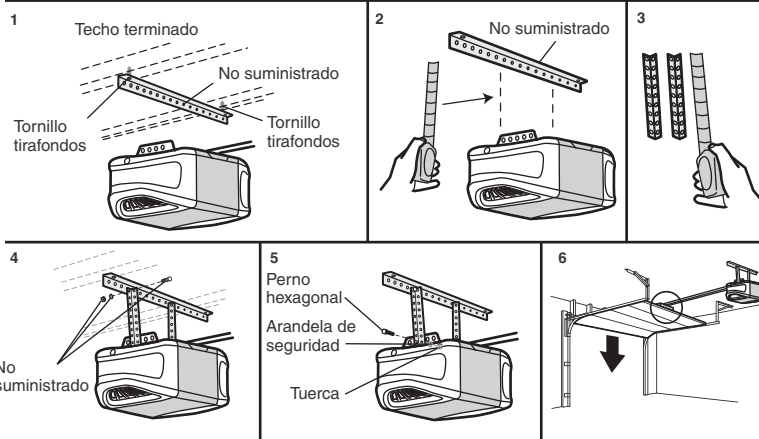
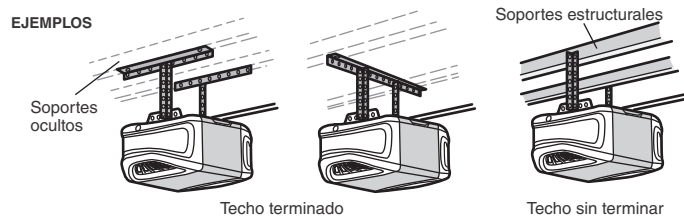
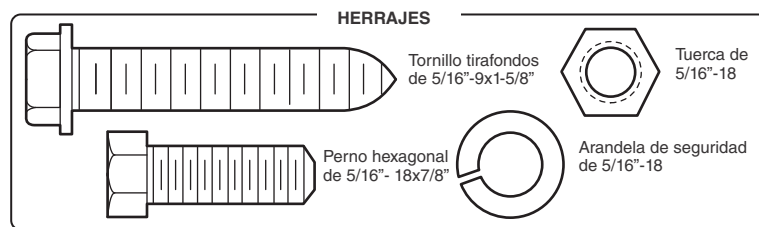
PASO 5 Colgar el abrepuertas de garaje

⚠ ADVERTENCIA

Para evitar posibles LESIONES GRAVES debido a la caída de un abrepuertas de garaje, sujételo FIRMEMENTE a los soportes estructurales del garaje. DEBEN usarse anclajes para concreto si se instala CUALQUIER soporte en mampostería.

La manera de instalar el abrepuertas de garaje dependerá de su garaje. A continuación se muestran tres ejemplos de instalación. Es posible que su instalación sea diferente. En TODAS las instalaciones, el abrepuertas de garaje DEBE estar conectado a soportes estructurales. Las instrucciones ejemplifican uno de los ejemplos a la derecha.

1. En techos terminados, use los tornillos tirafondos para fijar un soporte (no suministrados) a los soportes estructurales, antes de instalar el abrepuertas de garaje.
2. Asegúrese de que el abrepuertas de garaje esté alineado con el soporte del cabezal. Mida la distancia que hay desde cada lado del abrepuertas de garaje hasta el soporte.
3. Corte ambas piezas del soporte colgante (no suministrado) a las longitudes requeridas.
4. Fije el extremo de cada soporte colgante al soporte con los herrajes correspondientes (no suministrados).
5. Conecte el abrepuertas de garaje a los soportes colgantes mediante el uso de pernos hexagonales, arandelas de seguridad y tuercas.
6. Retire la madera de 2x4 y cierre la puerta manualmente. Si la puerta choca con el riel, levante el soporte del cabezal.



Instalación

PASO 6 Instalar las bombillas

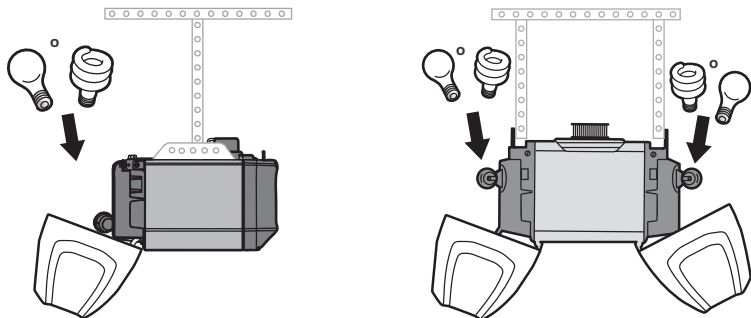
⚠ PRECAUCIÓN

Para evitar un posible SOBRECALENTAMIENTO del panel del extremo o del portalámparas realice lo siguiente:

- Use SOLO bombillas A19.
- NO use bombillas incandescentes de más de 100 W.
- NO use bombillas fluorescentes compactas de más de 26 W (equivalente a 100 W).
- NO use bombillas halógenas.
- NO use bombillas de cuello corto o especiales.

Las bombillas LED pueden provocar radiointerferencia con el control remoto. Use SOLO las bombillas LED recomendadas aquí: chamberlain.com/bulb.

1. Tire el lente de la luz hacia abajo.
2. Inserte la bombilla.
3. Cierre el lente de la luz.



PASO 7 Fijar la soga y manija de liberación de emergencia

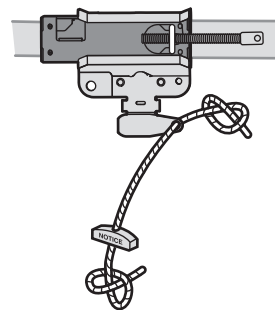
⚠ ADVERTENCIA

Para evitar posibles LESIONES GRAVES o la MUERTE por la caída de la puerta de garaje, realice lo siguiente:

- De ser posible, use la manija de liberación de emergencia para soltar la puerta SOLO cuando la puerta de garaje está CERRADA. Los muelles débiles o rotos o una puerta no balanceada podrían causar que la puerta caiga rápido o de forma repentina.
- NUNCA use la manija de liberación de emergencia a menos que no haya personas ni obstrucciones en la puerta de garaje.
- NUNCA use la manija para abrir o cerrar la puerta. Si se desata el nudo de la soga, podría caerse.

1. Inserte un extremo de la soga de liberación de emergencia por la manija. Asegúrese de que la palabra "NOTICE" (AVISO) esté correctamente orientada para permitir su lectura. Fije con un nudo simple a una distancia de por lo menos 1" (2.5 cm) desde el extremo de la soga para evitar resbalamiento.
2. Inserte el otro extremo de la soga de liberación de emergencia por el orificio en el brazo de liberación del carro. Monte la liberación de emergencia al alcance pero al menos a 6 pies (1.83 m) por encima del suelo, evitando el contacto con vehículos para evitar la liberación accidental, y fije con un nudo simple.

NOTA: De ser necesario cortar la soga de liberación de emergencia, selle el extremo cortado con un fósforo o encendedor para evitar que se desate. Asegúrese de que la soga y manija de liberación de emergencia estén por arriba de todos los vehículos para evitar enredos.



Instalación

PASO 8 Instalar el soporte de la puerta

PRECAUCIÓN

Las puertas de garaje de fibra de vidrio, aluminio o de acero liviano **REQUERIRÁN** refuerzo ANTES de la instalación del soporte de la puerta. Comuníquese con el fabricante de la puerta de garaje o con el distribuidor de instalación para obtener instrucciones sobre refuerzos del abrepuertas o un kit de refuerzo. Si no se refuerza la sección superior según lo requerido de acuerdo con el fabricante de la puerta, se podría anular la garantía de la puerta.

Se necesita un refuerzo horizontal y vertical para puertas de garaje livianas (fibra de vidrio, aluminio, acero, puertas con paneles de vidrio, etc.) (no suministrado). Un soporte de refuerzo horizontal debe ser lo suficientemente largo como para ser fijado a dos o tres soportes verticales. Un soporte de refuerzo vertical debe cubrir la altura del panel superior. Comuníquese con el fabricante de la puerta de garaje o con el distribuidor de instalación para obtener instrucciones sobre refuerzos del abrepuertas o un kit de refuerzo.

NOTA: Muchos kits de refuerzo para puertas permiten la conexión directa del pasador de horquilla y el brazo de la puerta. En este caso, no necesitará el soporte de la puerta; proceda al paso siguiente.

OPCIÓN A: PUERTAS SECCIONALES

1. Centre el soporte de la puerta en la línea central vertical ya marcada, que se utiliza para la instalación del soporte del cabezal. Observe la colocación correcta de la posición UP (SUBIR), tal como aparece impreso dentro del soporte.
2. Posicione el borde superior del soporte de 2"-4" (5-10 cm) debajo del borde superior de la puerta, O BIEN directamente debajo de cualquier soporte estructural a través de la parte superior de la puerta.
3. Marque, taladre orificios e instale tal como se indica, según la construcción de su puerta.

Puertas metálicas o livianas que usan un soporte de hierro angular vertical en el soporte del panel de la puerta y en el soporte de la puerta:

- Taladre orificios de sujeción de 3/16". Fije el soporte de la puerta usando los dos tornillos autorroscantes de 1/4"-14x5/8". (Figura 1)
- Como alternativa, use dos pernos de 5/16"-18x2", arandelas de seguridad y tuercas (no suministrados). (Figura 2)

Puertas metálicas, aisladas o livianas reforzadas en la fábrica:

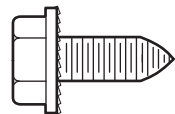
- Taladre orificios de sujeción de 3/16". Fije el soporte de la puerta usando los tornillos autorroscantes. (Figura 3)

Puertas de madera:

- Use los orificios para el soporte de la puerta superiores e inferiores, o de lado a lado. Taladre orificios de 5/16" a través de la puerta y fije el soporte con pernos de carrocería de 5/16"-18 x 2", arandelas de seguridad y tuercas (no suministrados). (Figura 4)

NOTA: No está previsto el uso de los tornillos autorroscantes de 1/4"-14x5/8" en puertas de madera.

HERRAJES



Tornillo autorroscante de 1/4"-14x5/8"

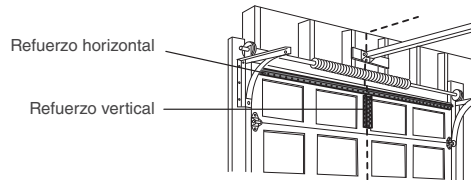


FIGURA 1

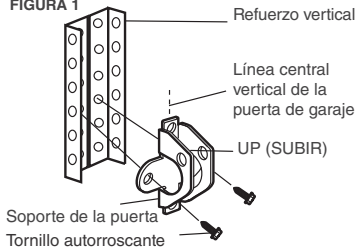


FIGURA 2

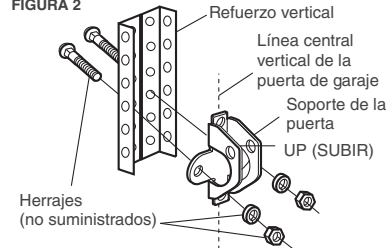


FIGURA 3

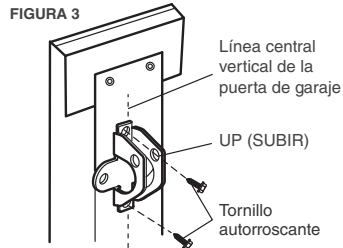
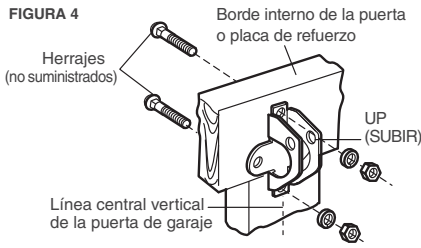


FIGURA 4



Instalación

PASO 8 Instalar el soporte de la puerta (continuación)

OPCIÓN B: PUERTAS DE UNA PIEZA

1. Centre el soporte de la puerta en la parte superior de la puerta, alineado con el soporte del cabezal, tal como se muestra.
2. Marque los orificios de izquierda y derecha, o bien de arriba y de abajo.

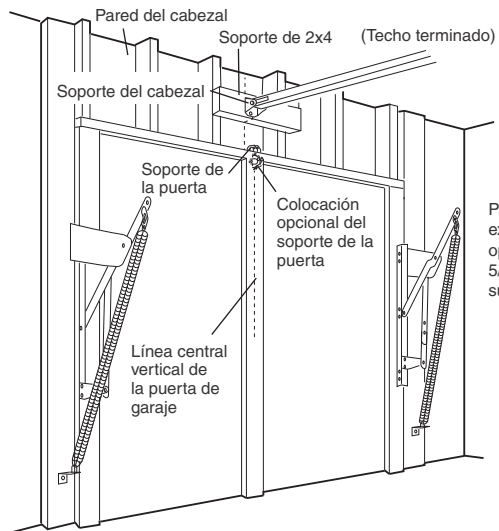
Puertas de metal:

- Taladre agujeros piloto de 3/16" y sujete el soporte con los tornillos autorroscantes suministrados.

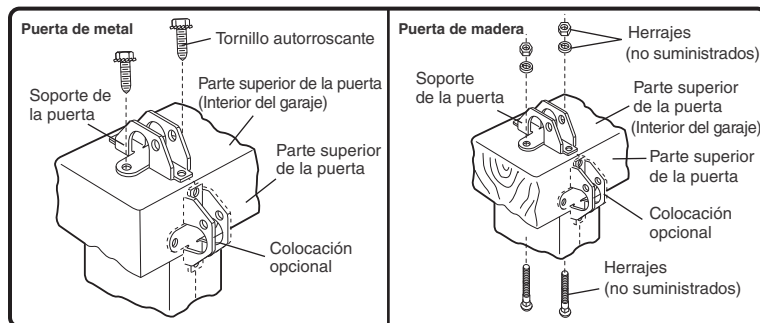
Puertas de madera:

- Taladre orificios de 5/16" y use pernos de carrocería de 5/16"-18x2", arandelas y tuercas (no suministradas) o tornillos tirafondos de 5/16"x1-1/2" (no suministrados) en función de lo que necesite su instalación.

NOTA: El soporte de la puerta puede instalarse en el borde superior de la puerta si lo requiere la instalación. (Consulte el dibujo de colocación opcional con líneas de puntos).



Para una puerta sin estructura expuestas, o para la instalación opcional, use tornillos tirafondos de 5/16"x1-1/2" (no suministrados) para sujetar el soporte de la puerta.



Instalación

PASO 9 Conectar el brazo de la puerta al carro

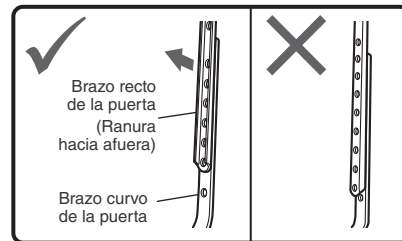
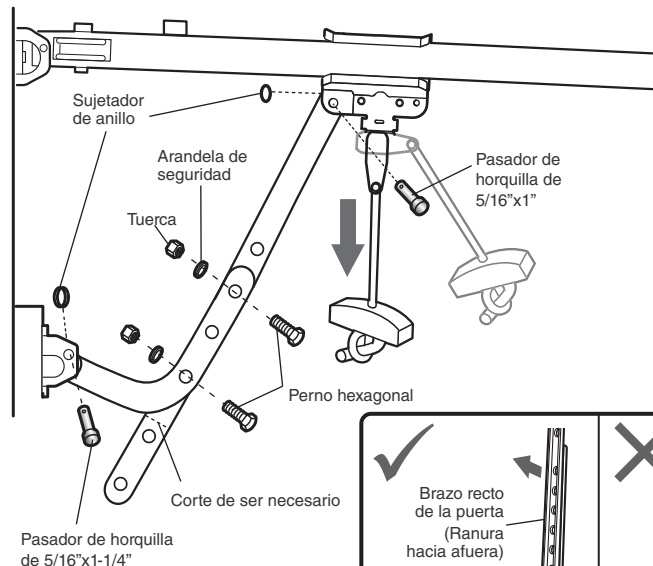
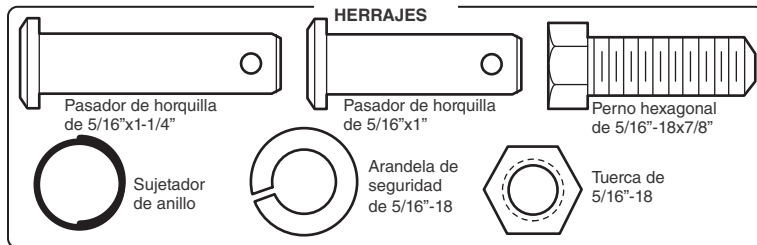
La instalación variará según el tipo de puerta de garaje. Siga las instrucciones que correspondan a su puerta.

OPCIÓN A: PUERTAS SECCIONALES

IMPORTANTE: La ranura en el brazo recto de la puerta DEBE estar orientada en dirección opuesta al brazo curvo de la puerta.

1. Cierre la puerta. Desconecte el carro jalando de la manija de liberación de emergencia.
2. Fije el brazo recto de la puerta al carro exterior usando el pasador de horquilla. Fije con el sujetador de anillo.
3. Fije el brazo curvo de la puerta al soporte de la puerta usando el pasador de horquilla. Fije con el sujetador de anillo.
4. Una las secciones del brazo. Encuentre dos pares de orificios que se alineen y una las secciones. Seleccione orificios lo más apartados posible para aumentar la rigidez del brazo de la puerta y fíjelos con los pernos, tuercas y arandelas de seguridad.
5. Jale de la manija de liberación de emergencia hacia el abrepuertas de garaje hasta que el brazo de liberación del carro quede horizontal. El carro se volverá a enganchar automáticamente cuando se active el abrepuertas de garaje.

NOTA: Si los orificios en el brazo curvo de la puerta y en el brazo recto de la puerta no se alinean, invierta la dirección del brazo recto de la puerta, seleccione dos orificios (lo más alejados posible) y fíjelo con pernos, tuercas y arandelas de seguridad. Si el brazo recto de la puerta cuelga muy abajo, puede cortar 6" (15 cm) del extremo sólido.



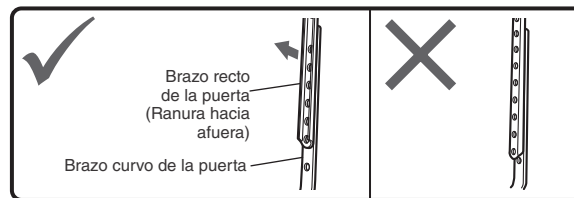
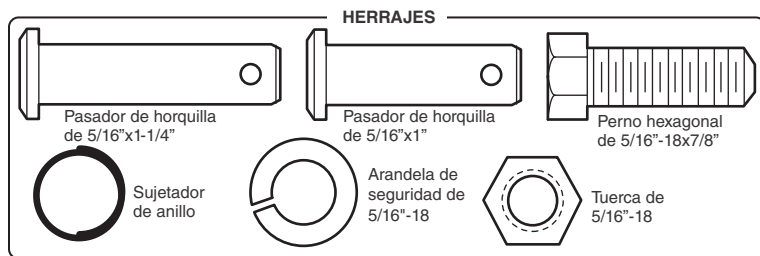
Instalación

PASO 9 Conectar el brazo de la puerta al carro (continuación)

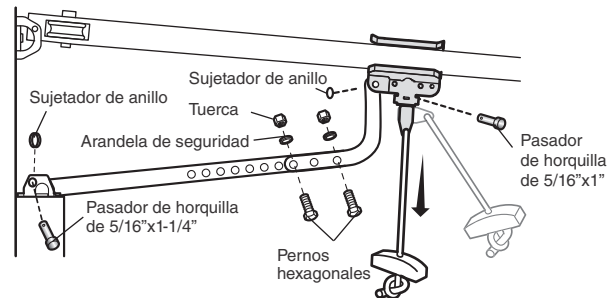
OPCIÓN B: PUERTAS DE UNA PIEZA

IMPORTANTE: La ranura en el brazo recto de la puerta DEBE estar orientada en dirección opuesta al brazo curvo de la puerta.

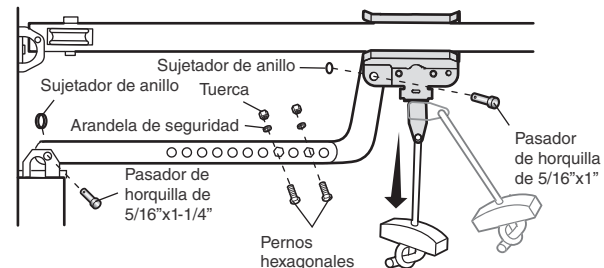
1. Cierre la puerta. Desconecte el carro jalando de la manija de liberación de emergencia.
2. Fije el brazo recto de la puerta y el brazo curvo de la puerta a la mayor longitud posible (con 2 o 3 orificios superpuestos) con pernos, tuercas y arandelas de seguridad.
3. Fije el brazo recto de la puerta al soporte de la puerta usando el pasador de horquilla. Fije con el sujetador de anillo.
4. Fije el brazo curvo de la puerta al carro usando el pasador de horquilla. Fije con el sujetador de anillo.
5. Jale de la manija de liberación de emergencia hacia el abrepuertas de garaje hasta que el brazo de liberación del carro quede horizontal.



Puerta de una pieza sin guía



Puerta de una pieza con guía



Instalación

PASO 10 Instalar el control de la puerta

BOTÓN PULSADOR DEL CONTROL DE LA PUERTA

ADVERTENCIA

Para evitar posibles LESIONES GRAVES o la MUERTE por electrocución:

- Asegúrese de que la corriente NO esté conectada ANTES de instalar el control de la puerta.
- SOLO conecte a cables de baja tensión de 12 VOLTIOS.

Para evitar posibles LESIONES GRAVES o la MUERTE por el cierre de la puerta de garaje:

- Instale el control de la puerta a la vista de la puerta de garaje, fuera del alcance de niños pequeños, a una altura mínima de 5 pies (1.5 m) por encima del suelo, descansos, escalones u otras superficies adyacentes de tránsito, y lejos de TODAS las piezas móviles de la puerta.
- NUNCA permita que los niños operen o jueguen con los botones pulsadores del control de la puerta o los transmisores del control remoto.
- SOLO active la puerta cuando pueda verse con claridad, esté correctamente ajustada y no haya obstrucciones al recorrido de la puerta.
- Mantenga SIEMPRE la puerta de garaje a la vista hasta que esté completamente cerrada. NUNCA permita que nadie se ponga en el camino de una puerta que se está cerrando.

INTRODUCCIÓN

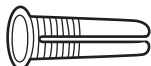
Instale el control de la puerta a la vista de la puerta, a una altura mínima de 5 pies (1.5 m) sobre pisos, descansos, escalones u otras superficies adyacentes de tránsito, donde los niños pequeños no puedan alcanzarlo y lejos de TODAS las piezas móviles de la puerta.

NOTA: Su producto puede verse diferente al de las ilustraciones.

HERRAJES



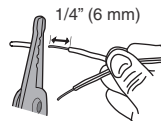
Tornillo de 6ABx1-1/2" (2)



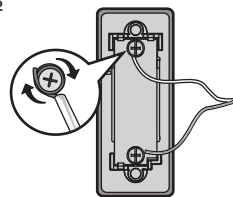
Anclajes para yeso (2)

1. Pele 1/4" (6 mm) de aislamiento de un extremo del cable y separe los cables.
2. Conecte un cable a cada uno de los dos tornillos en la parte trasera del control de la puerta. Los cables se pueden conectar a cualquiera de los tornillos.
3. Monte el control de la puerta con el herraje incluido.

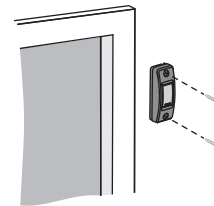
1



2



3



Instalación

PANEL DE CONTROL MULTIFUNCIÓN Y DE DETECCIÓN DE MOVIMIENTO

ADVERTENCIA

Para evitar posibles LESIONES GRAVES o la MUERTE por electrocución:

- Asegúrese de que la corriente NO esté conectada ANTES de instalar el control de la puerta.
- SOLO conecte a cables de baja tensión de 12 VOLTIOS.

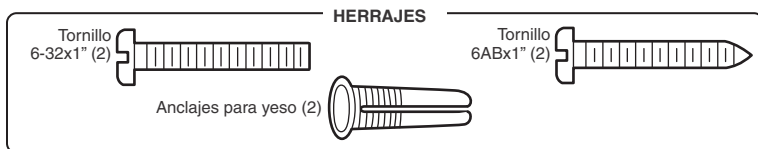
Para evitar posibles LESIONES GRAVES o la MUERTE por el cierre de la puerta de garaje:

- Instale el control de la puerta a la vista de la puerta de garaje, fuera del alcance de niños pequeños, a una altura mínima de 5 pies (1.5 m) por encima del suelo, descansos, escalones u otras superficies adyacentes de tránsito, y lejos de TODAS las piezas móviles de la puerta.
- NUNCA permita que los niños operen o jueguen con los botones pulsadores del control de la puerta o los transmisores del control remoto.
- SOLO active la puerta cuando pueda verse con claridad, esté correctamente ajustada y no haya obstrucciones al recorrido de la puerta.
- Mantenga SIEMPRE la puerta de garaje a la vista hasta que esté completamente cerrada. NUNCA permita que nadie se ponga en el camino de una puerta que se está cerrando.

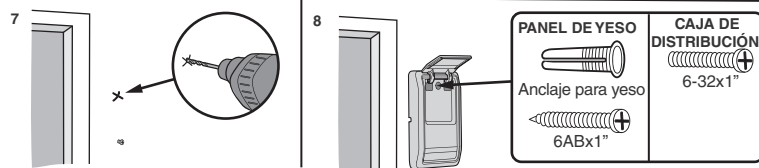
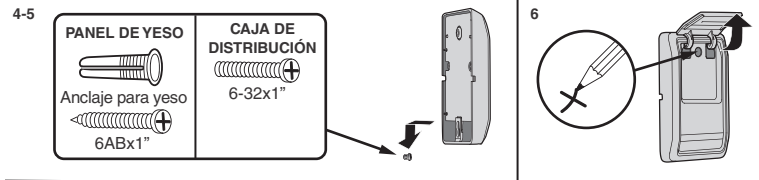
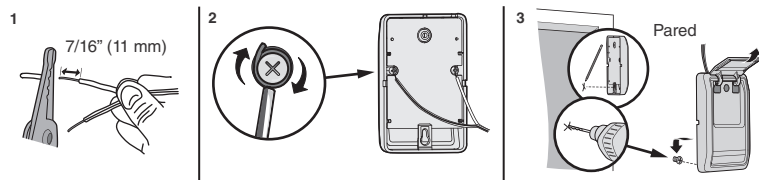
INTRODUCCIÓN

Los controles de puerta Chamberlain anteriores y los productos de terceros no son compatibles. Instale el control de la puerta a la vista de la puerta de garaje, fuera del alcance de niños pequeños, a una altura mínima de 5 pies (1.5 m) por encima del suelo, descansos, escalones u otras superficies adyacentes de tránsito, y lejos de TODAS las piezas móviles de la puerta. Para las instalaciones de cajas de distribución no es necesario taladrar orificios ni instalar los anclajes de yeso. Use los orificios existentes de la caja de distribución.

NOTA: Su producto puede verse diferente al de las ilustraciones.



1. Pele 7/16" (11 mm) de aislamiento de un extremo del cable y separe los cables.
2. Conecte un cable a cada uno de los dos tornillos en la parte trasera del control de la puerta. Los cables se pueden conectar a cualquiera de los tornillos. Si su garaje está precableado para el control de la puerta, elija cualquiera de los dos cables para conectarlo. Anote qué cables se usaron de modo que los cables correctos se conecten al abrepuertas de garaje en un paso posterior.
3. Marque la ubicación del orificio de montaje inferior y taladre un orificio de 5/32".
4. Instale el tornillo inferior y deje que sobresalga 1/8" (3 mm) de la pared.
5. Coloque el orificio inferior del control de la puerta sobre el tornillo y deslícelo hacia abajo hasta colocarlo en su lugar.
6. Levante la barra de empuje y marque el orificio superior.
7. Retire el control de la puerta de la pared y perforo un orificio de 5/32" para el tornillo superior.
8. Coloque el orificio inferior del control de la puerta sobre el tornillo y deslícelo hacia abajo hasta colocarlo en su lugar. Coloque el tornillo superior.



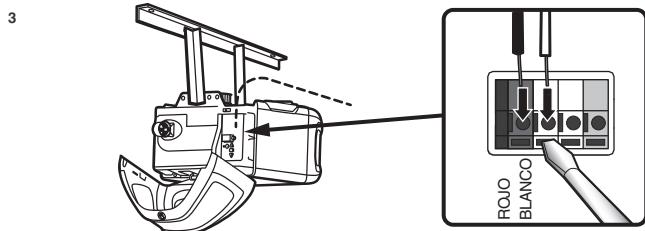
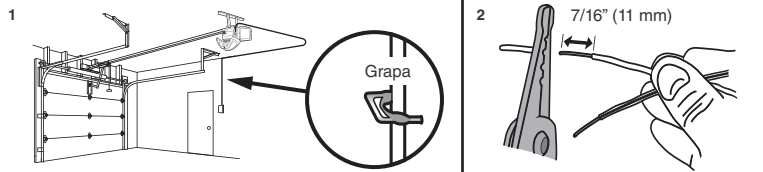
Instalación

PASO 11 Conectar el control de la puerta al abrepuertas de garaje

1. Extienda el cable blanco y el rojo/blanco desde el control de la puerta hasta el abrepuertas de garaje. Fije el cable a la pared y al techo con la grapa (no se aplica a las instalaciones colocadas previamente o de caja de distribución eléctrica). No perforo el cable con la grapa ya que puede provocar un cortocircuito o abrir el circuito.
2. Pele 7/16" (11 mm) de aislamiento del extremo del cable cerca del abrepuertas de garaje.
3. Conecte el cable a los terminales rojo y blanco en el abrepuertas de garaje. Si el garaje está precableado, asegúrese de usar los mismos cables que están conectados al control de la puerta. Para insertar o liberar los cables del terminal, presione la pestaña con la punta del destornillador.

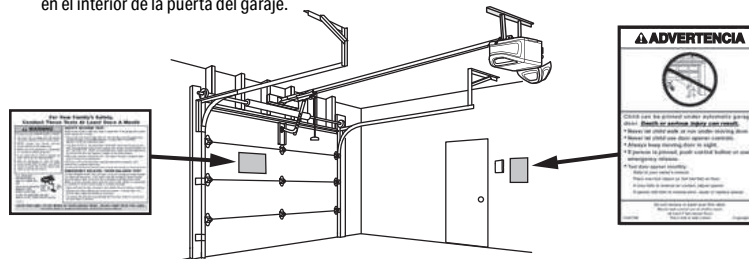
HERRAJES

Grapa aislada (no se muestra)



PASO 12 Colocar las etiquetas de advertencia

1. Pegue la etiqueta de advertencia de atrapamiento en la pared cerca del panel de control con tachuelas o grapas.
2. Coloque la etiqueta de prueba de inversión de seguridad/liberación del manual en un lugar visible, en el interior de la puerta del garaje.



Instalación

PASO 13 Instalar el Protector System®

⚠ ADVERTENCIA

Asegúrese de que la alimentación NO esté conectada al abrepuertas de garaje ANTES de instalar el sensor de inversión de seguridad.

Para evitar posibles LESIONES GRAVES o la MUERTE por el cierre de la puerta de garaje realice lo siguiente:

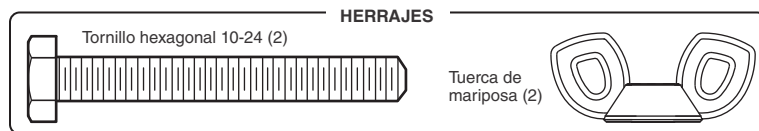
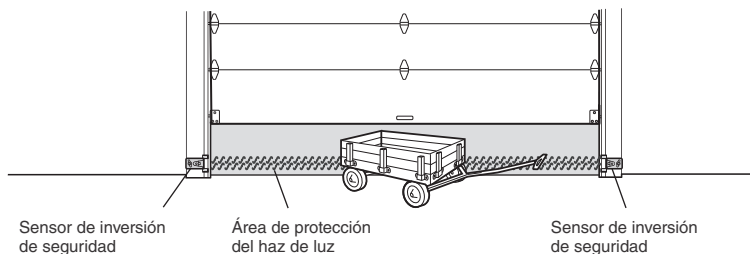
- Conecte y alinee correctamente el sensor de inversión de seguridad. Este dispositivo de seguridad requerido NO SE DEBE desactivar.
- Instale el sensor de inversión de seguridad de modo que el haz esté a una altura NO MAYOR a 6" (15 cm) sobre el suelo del garaje.

IMPORTANTE: Los sensores de inversión de seguridad **DEBEN** estar conectados y alineados correctamente antes de que el abrepuertas de garaje se mueva en la dirección de bajada.

El Protector System® incluye dos sensores de inversión de seguridad que utilizan un haz de luz para evitar que la puerta del garaje se cierre. El sensor emisor (LED ámbar) transmite el haz al sensor receptor (LED verde) cuando ambos están alimentados y alineados. El sensor receptor tiene una etiqueta en la parte de atrás. Si un obstáculo interrumpe el haz de luz mientras la puerta se está cerrando, esta se detendrá y retrocederá hasta la posición de apertura total.

Al instalar los sensores de inversión de seguridad, compruebe lo siguiente:

- Que los sensores estén instalados DENTRO del garaje.
- Que las lentes de los sensores estén enfrentadas. **IMPORTANTE:** No permita que la luz del sol llegue directamente al sensor receptor (LED verde).
- Que el haz del sensor no esté a más de 6" (15 cm) del suelo y que el haz de luz no esté obstruido.

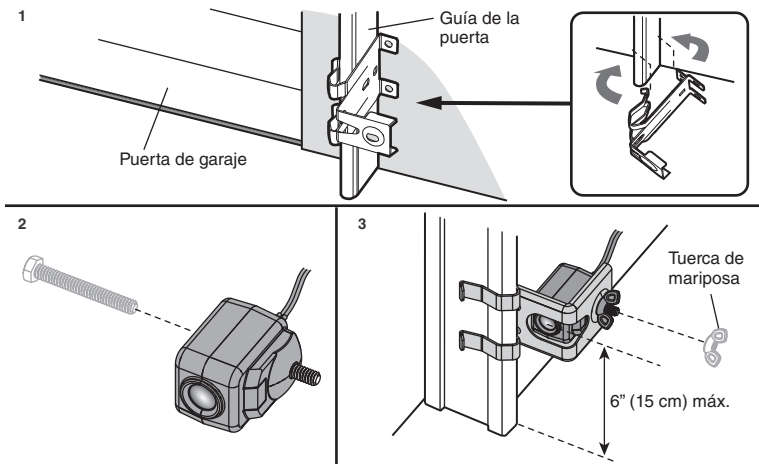


Los sensores de inversión de seguridad se diseñaron para engancharse en la guía de la puerta con los soportes de sensores suministrados. Si la guía de la puerta no puede sostener el soporte del sensor, se recomienda una instalación en la pared. El haz del sensor no debe estar a más de 6" (15 cm) encima del suelo.

INSTALACIÓN DE LAS GUÍAS DE LA PUERTA

1. Deslice los brazos curvos del soporte del sensor alrededor del borde de la guía de la puerta. Encástrelo de forma que el soporte del sensor quede a ras de la guía.
2. Deslice el tornillo hexagonal por el sensor.
3. Fije el sensor al soporte con la tuerca de mariposa. Asegúrese de que el soporte no obstruya la lente.

Repita los pasos con el otro sensor de la guía de la puerta opuesta. Ambas lentes deben estar enfrentadas entre sí.



Instalación

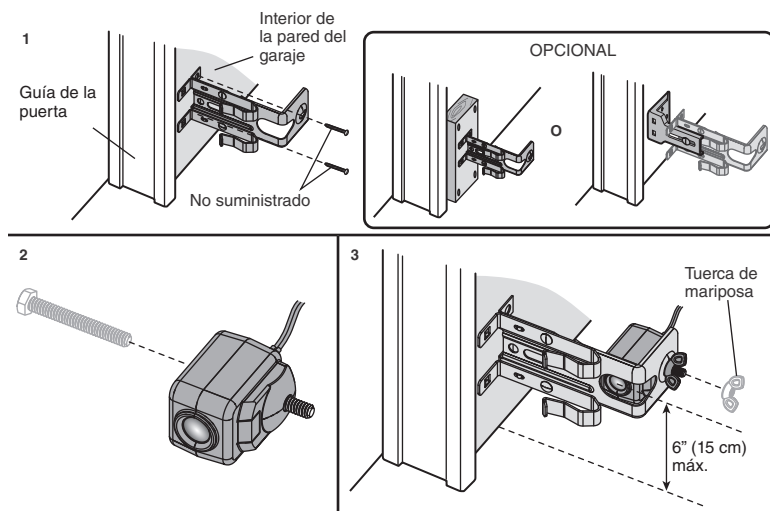
PASO 13 Instalar el Protector System (continuación)

OPCIÓN DE PARED

Asegúrese de que los soportes de cada lado estén apartados de las guías de la puerta y de que tengan la misma distancia, para que los sensores se alineen correctamente. Si se requiere mayor distancia, use soportes de extensión 041A5281-1 (no suministrados) o bloques de madera.

1. Fije el soporte del sensor contra la pared con dos tornillos tirafondos (no suministrados).
2. Deslice el tornillo hexagonal por el sensor.
3. Fije el sensor al soporte con la tuerca de mariposa. Asegúrese de que el soporte no obstruya la lente.

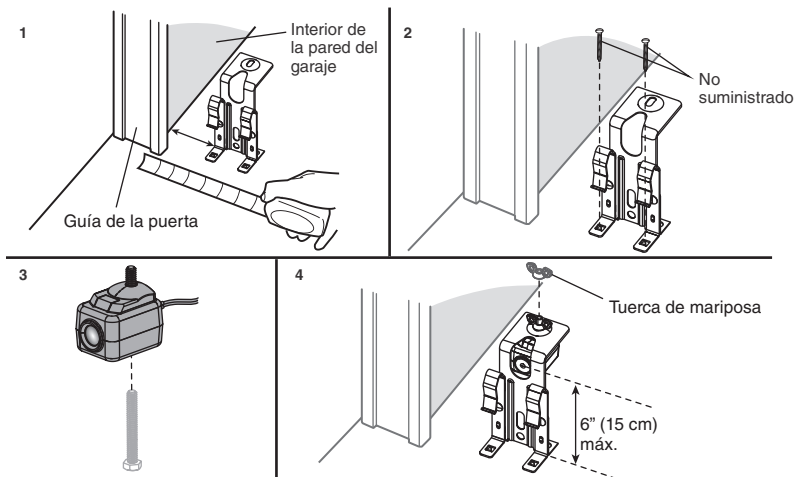
Repita los pasos con el otro sensor en el lado opuesto de la puerta del garaje. Ambas lentes deben estar enfrentadas entre sí.



OPCIÓN DE SUELO

1. Mida la posición de ambos soportes de sensor, de modo que queden a la misma distancia de la pared y sin obstrucciones.
2. Conecte el soporte al suelo con anclajes para concreto (no suministrados).
3. Deslice el tornillo hexagonal por el sensor.
4. Fije el sensor al soporte con la tuerca de mariposa. Asegúrese de que el soporte no obstruya la lente.

Repita los pasos con el otro sensor en el lado opuesto de la puerta del garaje. Ambas lentes deben estar enfrentadas entre sí.



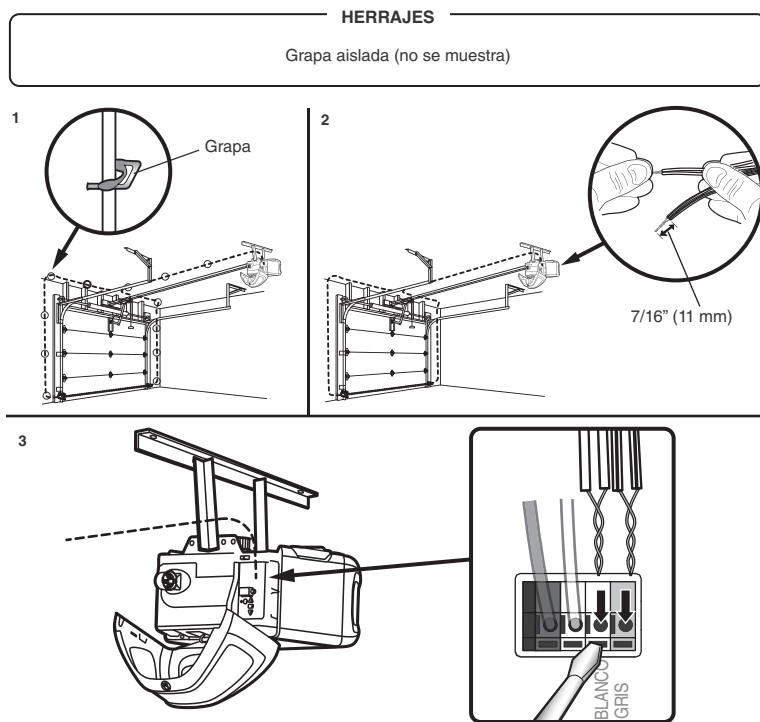
Instalación

PASO 14 Conectar los sensores de inversión de seguridad

Si su garaje tiene un cableado precableado para los sensores de inversión de seguridad, consulte la OPCIÓN B: INSTALACIÓN CON PRECABLEADO en la página 30.

OPCIÓN A: INSTALACIÓN SIN PRECABLEADO

1. Extienda el cable desde los sensores hasta el abrepuertas de garaje. Fijelo con grapas, pero NO perforo el cable.
2. Separe los cables del sensor y pele el aislamiento de los extremos. Retuerza entre sí los dos cables blancos. Luego, retuerza entre sí los dos cables blanco/negro.
3. Con un destornillador, empuje hacia adentro las pestañas del terminal e inserte los cables blancos en el terminal blanco. Inserte los cables blanco/negro en el terminal gris.

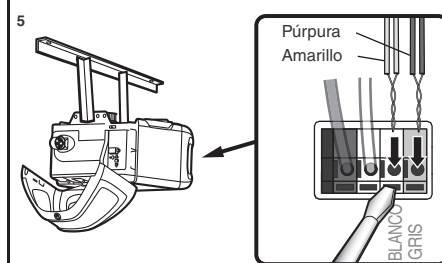
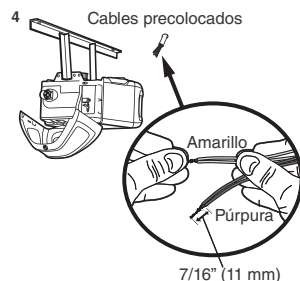
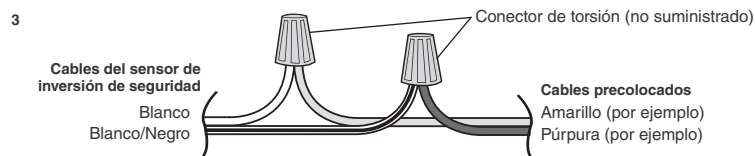
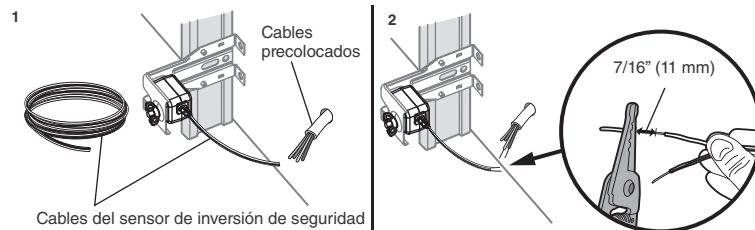


Instalación

PASO 14 Conectar los sensores de inversión de seguridad (continuación)

OPCIÓN B: INSTALACIÓN CON PRECABLEADO

1. Corte los cables del sensor y asegúrese de que quede suficiente cable para llegar a los cables precableados de la pared.
2. Separe los cables del sensor y pele el aislamiento de los extremos. Elija dos de los cables precableados y pele el aislamiento de los extremos. Elija el mismo color de cables precableados para cada sensor.
3. Conecte los cables precableados a los cables del sensor con tuercas mariposa y asegúrese de que los colores correspondan a cada sensor.
4. En el abrepuertas de garaje pelee el extremo de los cables ya conectados a los sensores. Retuerza entre sí los cables del mismo color.
5. Con un destornillador, empuje las fichas del terminal e inserte el cable de color conectado al cable blanco del sensor en el terminal blanco. Inserte el cable del otro color conectado al cable blanco/negro del sensor en el terminal gris.



Instalación

PASO 15 Conectar la alimentación

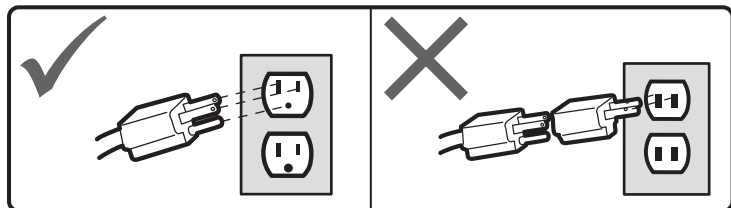
ADVERTENCIA

Siga las siguientes indicaciones para evitar posibles LESIONES GRAVES o la MUERTE por electrocución o incendio:

- Asegúrese de que la alimentación NO esté conectada al abrepuertas, y de desconectar la alimentación al circuito ANTES de quitar la cubierta para establecer una conexión de cableado permanente.
- La instalación de la puerta del garaje y el cableado DEBEN cumplir con TODOS los códigos de construcción y electricidad locales.
- NUNCA use una extensión, un adaptador de dos cables ni cambie el enchufe de NINGUNA manera para que encaje en el tomacorriente. Asegúrese de que el abrepuertas esté conectado a tierra.

Para evitar dificultades en la instalación, no ponga en funcionamiento el abrepuertas en este momento.

Para reducir el riesgo de descarga eléctrica, el abrepuertas de garaje tiene un enchufe con conexión a tierra mediante una tercera clavija. Este enchufe solo encajará en un tipo de tomacorriente con conexión a tierra. Si el enchufe no encaja en el tomacorriente, llame a un electricista capacitado para instalar uno adecuado.



HAY DOS OPCIONES PARA CONECTAR LA ALIMENTACIÓN:

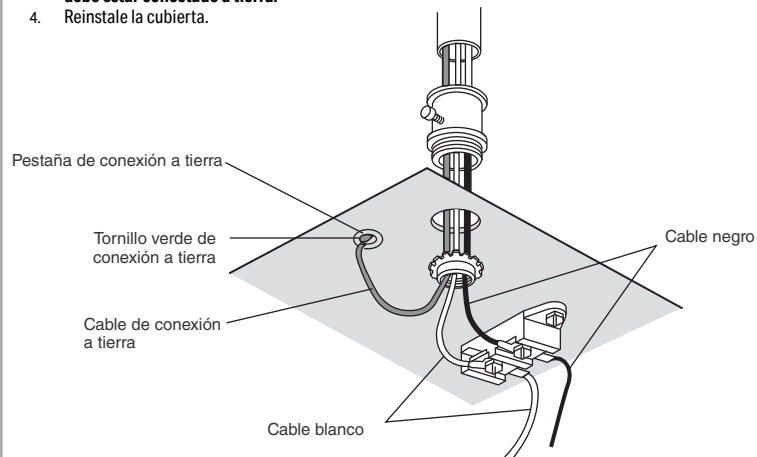
OPCIÓN A: CABLEADO TÍPICO

1. Enchufe el abrepuertas de garaje en un tomacorriente conectado a tierra.
2. NO ponga en funcionamiento el abrepuertas de garaje en este momento.

OPCIÓN B: CABLEADO PERMANENTE

Si el código eléctrico local requiere un cableado permanente, consulte el siguiente procedimiento. Para hacer una conexión permanente a través del orificio de 7/8 pulgadas en la parte superior de la unidad del motor (de acuerdo con el código local):

1. Quite los tornillos de la cubierta de la unidad del motor y aparte la cubierta.
2. Quite el cable de 3 clavijas conectado.
3. Conecte el cable negro (de línea) al tornillo en el terminal color cobre; el cable blanco (neutro) al tornillo en el terminal color plata; y el cable de conexión a tierra al tornillo verde de conexión a tierra. **El abrepuertas debe estar conectado a tierra.**
4. Reinstale la cubierta.

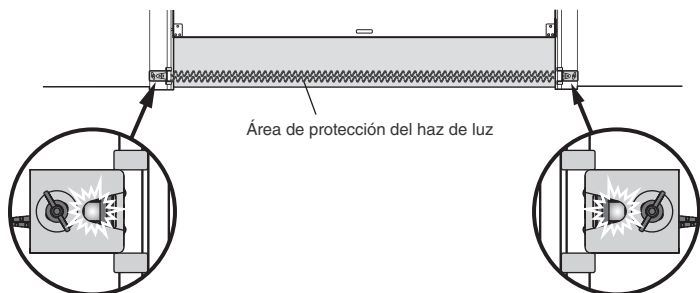


Instalación

PASO 16 Alinear los sensores de inversión de seguridad

IMPORTANTE: Los sensores de inversión de seguridad **DEBEN** estar conectados y alineados correctamente antes de que el abrepuertas de garaje se mueva en la dirección de bajada.

Cuando el abrepuertas de garaje reciba alimentación, verifique los sensores de inversión de seguridad. Si los sensores están bien alineados y cableados, ambos LED se encenderán de manera fija.

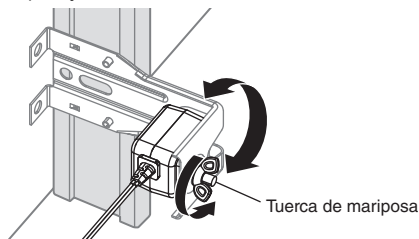


Sensor emisor: LED ámbar

Sensor receptor: LED verde
El sensor receptor tiene una etiqueta en la parte de atrás.

Para alinear los sensores de inversión de seguridad:

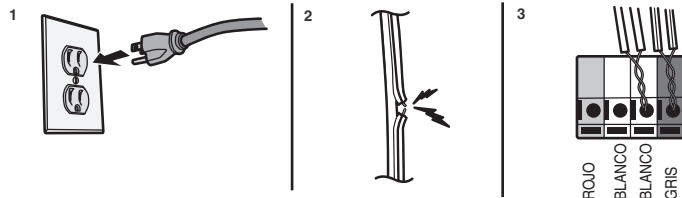
1. Afloje las tuercas de mariposa.
2. Ajuste los sensores hacia arriba o abajo hasta que ambos LED se enciendan de manera fija, lo cual indica que están alineados.
3. Apriete la tuerca de mariposa para fijar el sensor.



RESOLUCIÓN DE PROBLEMAS DEL SENSOR DE SEGURIDAD

Si alguno de los LED del sensor está apagado, el sensor no está recibiendo alimentación eléctrica:

1. Verifique que tenga corriente en el abrepuertas de garaje.
2. Verifique que el cable del sensor no esté en cortocircuito o roto.
3. Verifique que los sensores estén conectados de forma correcta; los cables blancos en el terminal blanco y los cables blanco/negro en el terminal gris.



Si el LED del sensor receptor verde está parpadeando, los sensores están obstruidos o desalineados:

1. Verifique si hay obstrucciones en el haz de luz del sensor.
2. Alinee los sensores.
3. Si el sensor receptor (LED verde) está orientado hacia la luz solar directa, cambie el sensor receptor por el sensor emisor y repita el PASO 12 Instalar el Protector System® en la página 27 para asegurar una correcta operación.

PASO 17 Verificar que el control de puerta esté bien conectado

Si el control de la puerta se instaló y cableó correctamente, el LED de comando en el panel de control parpadeará o el LED detrás del botón pulsador parpadeará si está bien instalado.

Ajustes

Introducción

ADVERTENCIA

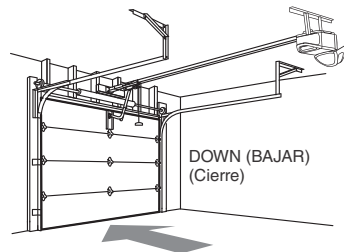
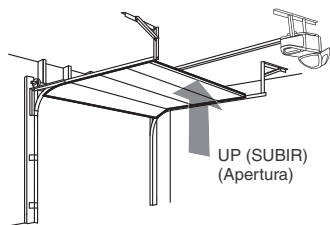
Sin un sistema de inversión de seguridad correctamente instalado, las personas (en particular, los niños pequeños) podrían sufrir **GRAVES LESIONES** o la **MUERTE** como consecuencia del cierre de la puerta del garaje.

- Un ajuste incorrecto de los límites de recorrido de la puerta del garaje interferirá con la operación correcta del sistema de inversión de seguridad.
- Después de hacer **CUALQUIER** ajuste, **DEBE** probarse el sistema de inversión de seguridad. La puerta **DEBE** invertir su dirección de movimiento al entrar en contacto con un objeto de 1-1/2" (3.8 cm) de alto (o de 2x4 colocado plano) sobre el suelo.

PRECAUCIÓN

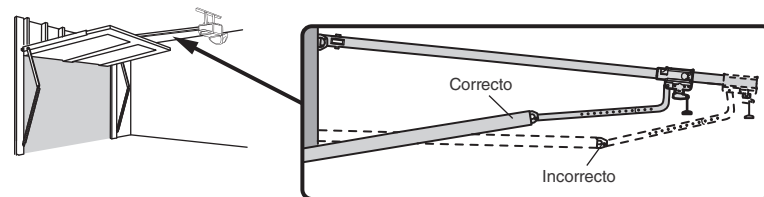
Para evitar daños a los vehículos, asegúrese de que la puerta completamente abierta proporcione una holgura adecuada.

El abrepuertas de garaje se diseñó con controles electrónicos para facilitar la configuración y los ajustes.



PUERTAS DE UNA PIEZA

Cuando establece el recorrido de subida de una puerta de una pieza, asegúrese de que la puerta no se incline hacia atrás cuando esté totalmente abierta (UP [SUBIR]). Si la puerta se inclina hacia atrás, se generará un forcejeo o tironeo innecesarios cuando la puerta se abra o cierre.



BOTONES DE PROGRAMACIÓN

Los botones de programación se encuentran en el lado izquierdo del panel del abrepuertas de garaje y se utilizan para programar el recorrido. Mientras programa, los botones UP (SUBIR) y DOWN (BAJAR) se pueden usar para mover la puerta según sea necesario.

Ajustes

1 - Programación del recorrido

ADVERTENCIA

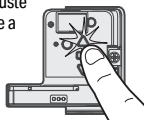
Sin un sistema de inversión de seguridad correctamente instalado, las personas (en particular, los niños pequeños) podrían sufrir **GRAVES LESIONES** o la **MUERTE** como consecuencia del cierre de la puerta del garaje.

- Un ajuste incorrecto de los límites de recorrido de la puerta del garaje interferirá con la operación correcta del sistema de inversión de seguridad.
- Después de hacer **CUALQUIER** ajuste, **DEBE** probarse el sistema de inversión de seguridad. La puerta **DEBE** invertir su dirección de movimiento al entrar en contacto con un objeto de 1-1/2" (3.8 cm) de alto (o de 2x4 colocado plano) sobre el suelo.

Mientras programa el desplazamiento, los botones UP (SUBIR) y DOWN (BAJAR) se pueden usar para mover la puerta según sea necesario. Los sensores de inversión de seguridad se desconectarán durante el proceso de Programación del recorrido. Durante la configuración de fuerza automática, la puerta se abrirá y cerrará automáticamente.

1 Mantenga presionado el botón de ajuste hasta que el botón UP (SUBIR) comience a parpadear o se escuche un pitido.

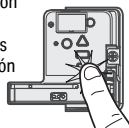
Los sensores de inversión de seguridad se desconectarán durante el proceso de Programación del recorrido.



2 Mantenga presionado el botón UP (SUBIR) hasta que la puerta alcance la posición deseada para SUBIR.



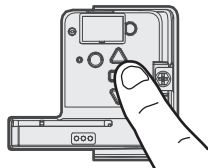
3 Una vez que la puerta esté en la posición deseada para SUBIR, presione y suelte el botón de ajuste. Las luces del abrepuertas de garaje parpadearán dos veces y el botón UP (SUBIR) comenzará a parpadear.



4 Mantenga presionado el botón DOWN (BAJAR) hasta que la puerta alcance la posición deseada para BAJAR.



5 Una vez que la puerta esté en la posición deseada para BAJAR, presione y suelte el botón de ajuste. Las luces del abrepuertas de garaje parpadearán dos veces. Se completó el proceso de Programación del recorrido. Si las luces del abrepuertas de garaje parpadean 5 veces, entonces se ha llegado al límite de tiempo de programación y los límites de desplazamiento no se han fijado. Reinicie el proceso de Programación del recorrido.



2 - Configuración de fuerza automática

Una vez establecidas manualmente las posiciones para subir y bajar, los sensores de inversión de seguridad se reconectarán y se tornarán operacionales. Seguidamente, el abrepuertas ingresará en una operación de detección de fuerza al mover la puerta automáticamente para abrirla y cerrarla. El abrepuertas de garaje emitirá una alerta visual y audible antes de abrir y cerrar la puerta automáticamente. El abrepuertas de garaje emitirá un pitido tres veces, confirmando de este modo que se ha completado con éxito la configuración de fuerza automática. El ajuste está completo.

Si oye un pitido largo después de que la puerta intenta moverse, entonces no se completó satisfactoriamente la configuración de fuerza automática. Vuelva a iniciar el procedimiento a partir del Paso 1: Programar el recorrido.



3 - Prueba del sistema de inversión de seguridad

⚠ ADVERTENCIA

Sin un sistema de inversión de seguridad correctamente instalado, las personas (en particular, los niños pequeños) podrían sufrir **GRAVES LESIONES** o la **MUERTE** como consecuencia del cierre de la puerta del garaje.

- El sistema de inversión de seguridad **DEBE** comprobarse cada mes.
- Después de hacer **CUALQUIER** ajuste, **DEBE** probarse el sistema de inversión de seguridad. La puerta **DEBE** invertir su dirección de movimiento al entrar en contacto con un objeto de 1-1/2" (3.8 cm) de alto (o una madera 2x4 colocada plana) por encima el suelo.

1 Con la puerta completamente abierta, coloque una tabla de 1-1/2 pulg. (3.8 cm) (o una madera de 2x4 colocada plana) sobre el suelo, centrada debajo de la puerta del garaje.



2 Presione el botón pulsador de control remoto para cerrar la puerta. La puerta **DEBE** invertir la dirección de movimiento cuando entre en contacto con la tabla.



Si la puerta se detiene pero no invierte su sentido de movimiento, realice lo siguiente:

1. Repita el proceso de Programación del recorrido (consulte el paso 1 de Ajustes).
2. Repita la prueba de Inversión de seguridad.

Si la prueba sigue fallando, llame a un técnico capacitado en sistemas de puertas.

4 - Prueba del Protector System®

⚠ ADVERTENCIA

Sin un sistema de inversión de seguridad instalado de forma correcta, las personas (en particular, los niños pequeños) podrían sufrir **GRAVES LESIONES** o la **MUERTE** como consecuencia del cierre de la puerta del garaje.

1 Abra la puerta. Coloque una obstrucción en la trayectoria de la puerta.



2 Presione el botón pulsador de control remoto para cerrar la puerta. La puerta no se moverá más de una pulgada (2.5 cm).



El abrepuertas de garaje no cerrará desde un control remoto si el LED en cualquiera de los sensores de inversión de seguridad está apagado (alertándole del hecho de que el sensor está mal alineado u obstruido). Si el abrepuertas de garaje cierra la puerta cuando el sensor de inversión de seguridad está obstruido (y los sensores no están a más de 6" [15 cm] sobre el suelo), llame a un técnico capacitado en sistemas de puertas.

Batería de respaldo

Instalación de la batería

Modelos B2210T, B2211T, B2212T y B2215T

ADVERTENCIA

Para reducir el riesgo de INCENDIO o LESIONES, realice lo siguiente:

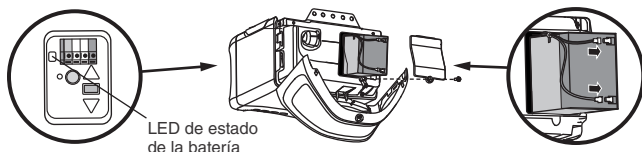
- Desconecte TODA corriente eléctrica y de batería ANTES de realizar CUALQUIER servicio o mantenimiento.
- Use SOLO la pieza # G4228 de Chamberlain para reemplazar la batería.
- NO arroje la batería al fuego. La batería puede explotar. Consulte las normas locales las instrucciones especiales para desecharlas.

PRECAUCIÓN

Use SIEMPRE guantes protectores y protectores para la vista al cargar la batería o al trabajar cerca del compartimento de la batería.

La batería de respaldo de 12 V le permite entrar y salir del garaje, incluso cuando no haya electricidad. La batería no tiene que estar completamente cargada para operar el abrepuertas de garaje. Cuando el abrepuertas de garaje esté funcionando a batería, puede moverse más lento, y se deshabilitan las siguientes funciones:

- Luces del abrepuertas de garaje
- Control y monitorización de la aplicación myQ®
- Cierre sin supervisión, incluido el Temporizador de cierre



1. Desenchufe el abrepuertas de garaje.
2. Abra el lente de luz en el lado derecho del abrepuertas de garaje. Use un destornillador Phillips para extraer la cubierta de la batería en el abrepuertas de garaje.
3. Inserte parcialmente la batería en el compartimento de la batería con los terminales hacia afuera.
4. Conecte los cables rojo (+) y negro (-) del abrepuertas de garaje a los terminales correspondientes en la batería.
5. Vuelva a colocar la cubierta de la batería.
6. Enchufe el abrepuertas de garaje.
7. Espere que el LED verde de estado de la batería comience a parpadear antes de continuar con la prueba de la batería.

Prueba de la batería

En función del nivel de energía, es posible que la batería necesite cargarse antes de realizar la prueba. El abrepuertas de garaje debe estar desenchufado para probar la batería.

1. Abra y cierre la puerta con el control remoto o el control de la puerta. Cuando el motor esté encendido, el LED de estado de la batería se encenderá en naranja sólido para indicar que el abrepuertas está funcionando con alimentación de la batería o parpadeará para indicar que tiene poca energía. **NOTA:** El abrepuertas de garaje puede funcionar más lento si la batería no está completamente cargada.
2. Enchufe el abrepuertas de garaje. Verifique que el LED de estado de la batería esté parpadeando en verde, lo que indica que la batería se está cargando.

Carga de la batería

La batería se carga cuando el abrepuertas de garaje está enchufado a un tomacorriente de 120 VCA que tenga corriente y requiere 24 horas para cargarse por completo. Una batería completamente cargada suministra 12 VCC al abrepuertas de garaje hasta por 24 horas de funcionamiento normal durante un corte de electricidad. Una vez restaurada la alimentación, la batería se recargará en 24 horas. La batería durará aproximadamente entre 1 o 2 años con un uso normal.

Se incluyen instrucciones de reemplazo junto con la batería. Para maximizar la vida útil de la batería y evitar daños, desconecte la batería cuando el abrepuertas de garaje esté desenchufado por un periodo largo, como en una casa de verano o invierno.

Estado de la batería

LED de estado de la batería verde: Todos los sistemas funcionan con normalidad.

- Una luz LED verde fija indica que la batería está completamente cargada.
- Un LED verde parpadeante indica que la batería se está cargando.

LED de estado de la batería naranja: El abrepuertas de garaje perdió alimentación y está en modo de batería de respaldo.

- Un LED naranja fijo mientras el motor está encendido indica que el abrepuertas de garaje está funcionando con la energía de la batería.
- Un LED naranja parpadeante mientras el motor está encendido indica que la batería está baja.
- El abrepuertas emite un pitido cada 2 segundos mientras funciona con la energía de la batería.

LED de estado de la batería rojo: Debe reemplazar la batería.

- Un LED rojo fijo indica que la batería ya no puede almacenar carga. Ingrese a chamberlain.com para comprar una batería de repuesto, a fin de permitir que su sistema funcione durante un corte de electricidad.

Control de la aplicación myQ®

Conexión con su smartphone

NECESITARÁ LO SIGUIENTE:

- Wi-Fi® habilitado en un smartphone, una tablet o una laptop
- Conexión a Internet de banda ancha
- Señal Wi-Fi en el garaje (**se requiere 2.4 GHz, 802.11b/g/n**), vea la página 5
- Contraseña para su Internet doméstica (la cuenta principal del enrutador, no la red de invitados)
- Número de serie de myQ® ubicado en el abrepuertas de garaje

DESCARGUE LA APLICACIÓN myQ® PARA CREAR UNA CUENTA Y CONECTARSE

Abra y cierre su puerta, reciba alertas y establezca horarios desde cualquier lugar. Los abrepuertas de garaje inteligentes conectados también reciben actualizaciones de software para garantizar que tengan las funciones más recientes. El abrepuertas de garaje debe funcionar durante un ciclo completo para poder activar la programación Wi-Fi®.

1. Descargue la aplicación myQ®.
2. Cree una cuenta y conéctese.

Si ya tiene la aplicación myQ® instalada, realice lo siguiente:

1. Compruebe que su dispositivo móvil disponga del software más reciente.
2. Descargue la versión más reciente de la aplicación myQ®.

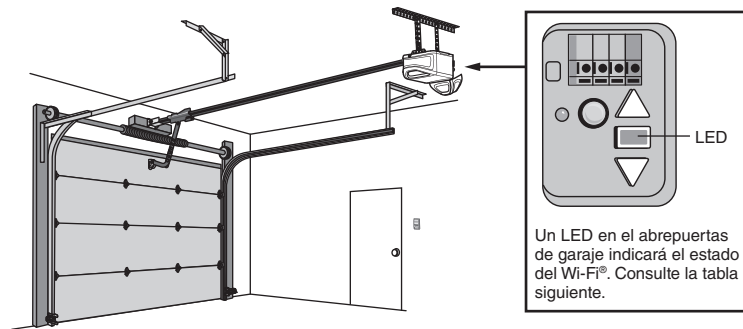


Para obtener más información sobre la conexión de su abrepuertas de garaje, visite support.chamberlaingroup.com

NOTAS:

El control de la aplicación myQ® NO funcionará si el abrepuertas de garaje está funcionando con batería. Para borrar los ajustes de Wi-Fi del abrepuertas, consulte la página 42.

Google Play y el logotipo de Google Play son marcas comerciales de Google LLC.
App Store y los logotipos de Apple y App Store son marcas comerciales de Apple Inc.



Un LED en el abrepuertas de garaje indicará el estado del Wi-Fi®. Consulte la tabla siguiente.

Estado del Wi-Fi	
LED	Definición
Azul	Apagado: el Wi-Fi® no está encendido. Parpadeante: el abrepuertas de garaje está en el modo learn (aprender) del Wi-Fi®. Sólido: dispositivo móvil conectado al abrepuertas de garaje.
Azul y verde	Parpadeante: intentando conectarse al enrutador.
Verde	Parpadeante: intentando conectarse al servidor de Internet. Sólido: se configuró el Wi-Fi® y el abrepuertas de garaje está conectado a Internet.

INSTRUCCIONES IMPORTANTES DE SEGURIDAD

ADVERTENCIA

Para reducir el riesgo de LESIONES GRAVES o la MUERTE, realice lo siguiente:

1. LEA Y SIGA TODAS LAS ADVERTENCIAS E INSTRUCCIONES.
2. SIEMPRE mantenga los controles remotos fuera del alcance de los niños. NUNCA permita que los niños operen o jueguen con los botones pulsadores del control de la puerta de garaje o los controles remotos.
3. SOLO active la puerta del garaje cuando esta pueda verse con claridad, esté ajustada de forma correcta y no haya obstrucciones en el recorrido de la puerta.
4. SIEMPRE mantenga la puerta del garaje a la vista y lejos de personas y objetos hasta que esté completamente cerrada. NADIE DEBE CRUZAR EL CAMINO DE LA PUERTA MÓVIL.
5. NADIE DEBE PASAR DEBAJO DE UNA PUERTA PARCIALMENTE ABIERTA Y PARADA.
6. Si es posible, use la palanca de liberación de emergencia para desenganchar el carro SOLO cuando la puerta del garaje esté CERRADA. Tenga cuidado al utilizar esta liberación con la puerta abierta. Los resortes débiles o rotos o la puerta desequilibrada pueden hacer que la puerta abierta caiga rápida o inesperadamente y aumente el riesgo de LESIONES GRAVES o la MUERTE.
7. NUNCA use la palanca de liberación de emergencia a menos que en la entrada del garaje no haya personas ni obstrucciones.
8. NUNCA use la palanca para abrir o cerrar la puerta del garaje. Si se desata el nudo de la cuerda, podría caerse.
9. Después de hacer CUALQUIER ajuste, DEBE probarse el sistema de inversión de seguridad.
10. El sistema de inversión de seguridad DEBE comprobarse cada mes. La puerta DEBE invertir la marcha al contacto con un objeto de 1-1/2" (3.8 cm) de alto (o una madera 2x4 colocada horizontalmente) en el suelo. Si no se ajusta correctamente el abrepuertas de garaje, aumenta el riesgo de ocasionar LESIONES GRAVES o la MUERTE.
11. SIEMPRE MANTENGA LA PUERTA BIEN BALANCEADA (ver la página 5). Una puerta mal balanceada podría NO invertir la dirección de movimiento cuando sea necesario y causar LESIONES GRAVES o la MUERTE.
12. Un técnico capacitado en sistemas de puertas DEBE realizar TODAS las reparaciones a cables, conjuntos de resortes y otros herrajes; TODOS están bajo tensión EXTREMA.
13. SIEMPRE desconecte la alimentación eléctrica del abrepuertas de garaje ANTES de hacer CUALQUIER reparación o de quitar cubiertas.
14. Este sistema del operador viene equipado con una característica de funcionamiento sin supervisión. La puerta podría moverse de forma inesperada. NADIE DEBE CRUZAR EL CAMINO DE LA PUERTA MÓVIL.
15. NO debe instalarse en una puerta de una sola pieza si se utilizan dispositivos o funciones que brinden un cierre sin supervisión. Los dispositivos y las funciones sin supervisión deben usarse SOLO con puertas seccionales.

16. GUARDE ESTAS INSTRUCCIONES.

Uso del abrepuertas de garaje

El abrepuertas de garaje puede activarse por medio de un control montado en la pared, un control remoto, una entrada inalámbrica sin llave o la aplicación myQ®.

Cuando la puerta esté cerrada y el abrepuertas de garaje esté activado, se abrirá la puerta. Si la puerta entra en contacto con una obstrucción durante la apertura, la puerta se detendrá, el abrepuertas emitirá un pitido y las luces parpadearán 5 veces. Cuando la puerta esté en cualquier posición diferente de la posición cerrada y el abrepuertas de garaje esté activado, se cerrará la puerta. Si la puerta de garaje entra en contacto con una obstrucción mientras se está cerrando, la puerta invertirá la dirección de movimiento, el abrepuertas emitirá un pitido y las luces parpadearán 5 veces. Sin embargo, puede cerrar la puerta si mantiene presionado el botón en el control de la puerta o entrada sin llave hasta que la puerta quede completamente cerrada.

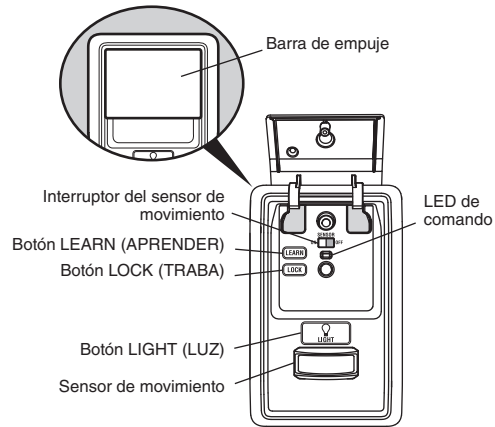
Los sensores de inversión de seguridad no afectan el ciclo de apertura. El sensor de inversión de seguridad debe estar conectado y alineado correctamente antes de que el abrepuertas de garaje pueda moverse en la dirección de bajada.

Las luces del abrepuertas de garaje se encenderán cuando el abrepuertas esté inicialmente enchufado, cuando se restaure la alimentación después de un corte o cuando se active el abrepuertas. Las luces del abrepuertas de garaje se apagarán automáticamente después de un tiempo establecido. Para ajustar la configuración de la luz, consulte *Uso del control de la puerta*.

Funcionamiento

Uso del control de la puerta

PANEL DE CONTROL CON DETECCIÓN DE MOVIMIENTO



SINCRONIZACIÓN DEL CONTROL DE LA PUERTA: Para sincronizar el control de la puerta con el abrepuertas de garaje, presione el botón pulsador hasta que el abrepuertas de garaje se active (puede requerir presionarlo 3 veces). Pruebe el control de la puerta presionando la barra de empuje; cada vez que presione la barra de empuje se activará el abrepuertas de garaje.

BARRA DE EMPUJE: Presione la barra de empuje para abrir o cerrar la puerta.

BOTÓN LEARN (APRENDER): Se usa para programar los controles remotos compatibles, entradas inalámbricas sin llave y dispositivos myQ® al abrepuertas de garaje.

SENSOR DE MOVIMIENTO: Enciende las luces del abrepuertas de garaje cuando se detecta movimiento. Las luces permanecerán encendidas por 4-1/2 minutos (ajuste de fábrica), y luego se apagarán. Encienda o apague el interruptor del sensor de movimiento para controlar esta función.

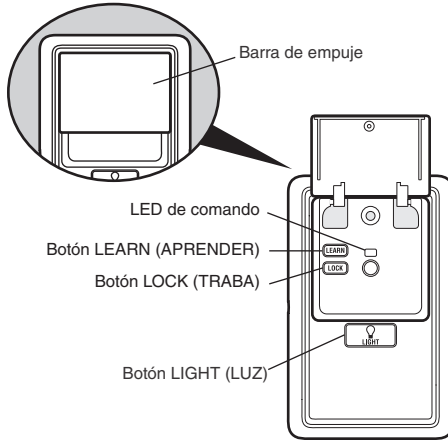
LOCK (TRABA): Evita que los controles remotos funcionen pero permite la activación con el control de la puerta y la entrada sin llave. (Por defecto de fábrica está desactivado.)

Encendido: Mantenga presionado el botón LOCK (TRABA) durante 2 segundos. El LED de comando parpadeará mientras la función de traba esté encendida.

Apagado: Mantenga presionado el botón LOCK (TRABA) durante 2 segundos. El LED de comando dejará de parpadear y se reanudará el funcionamiento normal.

Funcionamiento

PANEL DE CONTROL MULTIFUNCIÓN



SINCRONIZACIÓN DEL CONTROL DE LA PUERTA: Para sincronizar el control de la puerta con el abrepuertas de garaje, presione el botón pulsador hasta que el abrepuertas de garaje se active (puede requerir presionarlo 3 veces). Pruebe el control de la puerta presionando la barra de empuje; cada vez que presione la barra de empuje se activará el abrepuertas de garaje.

BARRA DE EMPUJE: Presione la barra de empuje para abrir o cerrar la puerta.

BOTÓN LEARN (APRENDER): Se usa para programar los controles remotos compatibles, entradas inalámbricas sin llave y dispositivos myQ® al abrepuertas de garaje.

LOCK (TRABA): Evita que controles remotos funcionen, pero permite la activación con el control de la puerta y la entrada sin llave. (Por defecto de fábrica está desactivado)

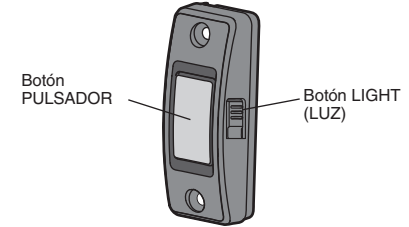
ENCENDER:

Mantenga presionado el botón LOCK (TRABA) durante 2 segundos. El LED de comando parpadeará mientras la función de traba esté encendida.

APAGAR:

Mantenga presionado el botón LOCK (TRABA) durante 2 segundos. El LED de comando dejará de parpadear y se reanudará el funcionamiento normal.

BOTÓN PULSADOR PARA EL CONTROL DE LA PUERTA



SINCRONIZACIÓN DEL CONTROL DE LA PUERTA: Para sincronizar el control de la puerta al abrepuertas de garaje, presione el botón pulsador hasta que el abrepuertas de garaje se active (puede requerir presionarlo 3 veces).

BOTÓN PULSADOR: Presione el botón para abrir o cerrar la puerta.

Botón LIGHT/LEARN (LUZ/APRENDER): Presione el botón LIGHT (LUZ) para encender o apagar las luces del abrepuertas de garaje. Cuando se enciendan las luces, permanecerán encendidas hasta que se vuelva a presionar el botón LIGHT (LUZ) o hasta que se active el abrepuertas de garaje. Una vez activado el abrepuertas de garaje, las luces se apagarán después de un período de tiempo especificado (el ajuste de fábrica es de 4-1/2 minutos). El botón LIGHT (LUZ) no controlará las luces cuando la puerta está en movimiento.

Funcionamiento

Control remoto e ingreso sin llave

CONTROL REMOTO SUMINISTRADO CON PROGRAMACIÓN PREVIA, NO NECESITA PROGRAMARLO.

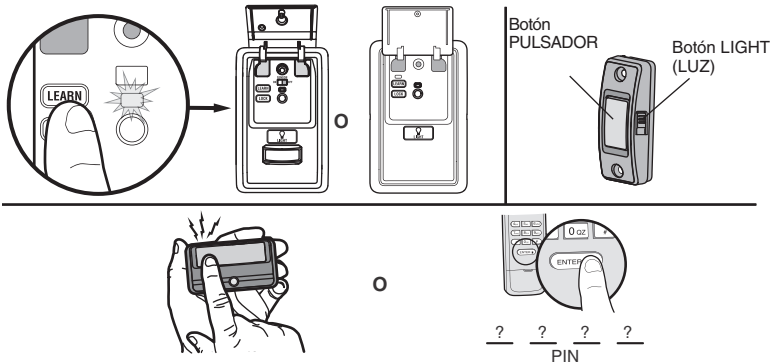
Para agregar o reprogramar un control remoto, siga las instrucciones que aparecen a continuación. Los controles remotos Chamberlain más viejos NO son compatibles.

PROGRAMACIÓN CON EL PANEL DE CONTROL MULTIFUNCIÓN O DE DETECCIÓN DE MOVIMIENTO

1. Presione el botón LEARN (APRENDER) del control de la puerta para ingresar al modo de programación. El LED de comando parpadeará una vez.
2. Vuelva a presionar el botón LEARN (APRENDER), el LED de comando parpadeará de nuevo.
3. **Control remoto:** Mantenga presionado el botón en el control remoto que desee utilizar.
Entrada sin llave: Ingrese un número de identificación personal (PIN) de 4 dígitos de su elección en el teclado numérico del ingreso sin llave. Luego, presione el botón ENTER (ENTRAR).

PROGRAMACIÓN MEDIANTE EL BOTÓN PULSADOR DEL CONTROL DE LA PUERTA

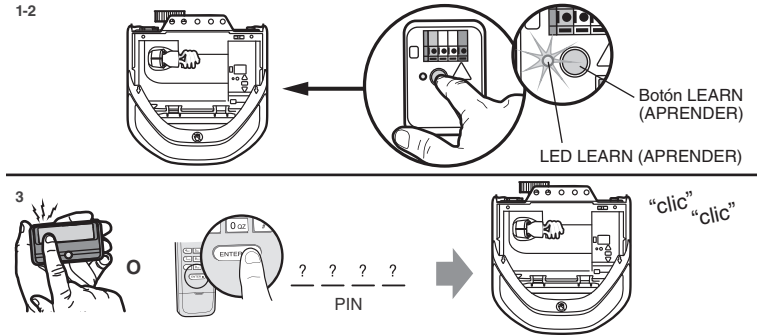
1. Mantenga presionados el botón LIGHT (LUZ) y el botón PULSADOR hasta que el LED del botón PUSH comience a parpadear.
2. **Control remoto:** Mantenga presionado el botón en el control remoto que desee utilizar.
Entrada sin llave: Ingrese un número de identificación personal (PIN) de 4 dígitos de su elección en el teclado numérico del ingreso sin llave. Luego, presione el botón ENTER (ENTRAR).



Parpadearán las luces del abrepuertas de garaje (o se oirán dos clics) cuando se haya programado el código. Repita los pasos para programar otros controles remotos o dispositivos de entrada sin llave. Si no logra la programación, repita los pasos utilizando el botón LEARN (APRENDER) del abrepuertas de garaje.

PROGRAMACIÓN DEL USO DEL BOTÓN LEARN (APRENDER) DEL ABREPUERTAS DE GARAJE

1. Busque el botón LEARN (APRENDER).
2. Presione y suelte de inmediato el botón LEARN (APRENDER). El LED de LEARN (APRENDER) permanecerá encendido durante 30 segundos. Dentro de 30 segundos...
3. **Control remoto:** Presione y mantenga presionado el botón del control remoto que desea usar.
Entrada sin llave: Ingrese un número de identificación personal (PIN) de 4 dígitos de su elección en el teclado numérico de entrada sin llave. Luego, mantenga presionado el botón ENTER (ENTRAR). Suelte el botón cuando las luces del abrepuertas de garaje parpadéen o escuche dos clics.



HomeLink®

Si su vehículo está equipado con HomeLink®, puede que necesite un Compatibility Bridge™ (no se suministra) en algunos vehículos. Visite bridge.chamberlain.com para averiguar si necesita un Bridge.

Funcionamiento

Borrado de memoria

BORRE TODOS LOS CONTROLES REMOTOS Y ENTRADAS SIN LLAVE

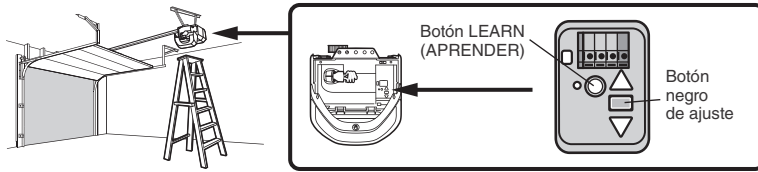
1. Mantenga presionado el botón LEARN (APRENDER) en el abrepuertas de garaje hasta que se apague el LED de aprender (aproximadamente 6 segundos). Todos los códigos del control remoto y de entrada sin llave ahora están borrados. Vuelva a programar cualquier accesorio compatible que desee utilizar.

BORRE TODOS LOS DISPOSITIVOS, INCLUIDOS LOS ACCESORIOS COMPATIBLES CON myQ®

1. Mantenga presionado el botón LEARN (APRENDER) en el abrepuertas de garaje hasta que se apague el LED de aprender (aproximadamente 6 segundos).
2. Inmediatamente mantenga presionado el botón LEARN (APRENDER) nuevamente hasta que se apague el LED de aprender. Todos los códigos ahora están borrados. Vuelva a programar cualquier accesorio compatible que desee utilizar.

BORRE LA CONEXIÓN DEL ABREPUERTAS DE GARAJE DE LA RED Wi-Fi® DOMÉSTICA

1. Mantenga presionado el botón negro de ajuste en el abrepuertas de garaje hasta que oiga 3 pitidos (aproximadamente 6 segundos).



Apertura manual de la puerta manualmente

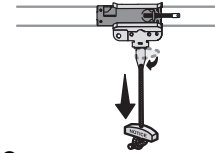
⚠ ADVERTENCIA

Para evitar posibles LESIONES GRAVES o la MUERTE por la caída de la puerta de garaje, realice lo siguiente:

- Si es posible, use la palanca de liberación de emergencia para desenganchar el carro SOLO cuando la puerta del garaje esté CERRADA. Los resortes débiles o rotos o una puerta no balanceada podrían causar que la puerta caiga rápido o de forma repentina.
- NUNCA use la palanca de liberación de emergencia a menos que en la entrada del garaje no haya personas ni obstrucciones.
- NUNCA use la manija para abrir o cerrar la puerta. Si se desata el nudo de la cuerda, podría caerse.

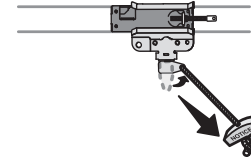
DESCONECTAR EL CARRO

1. La puerta debe estar completamente cerrada si es posible.
2. Jale de la manija de liberación de emergencia de manera tal que el brazo de liberación del carro quede en posición vertical. Ahora puede levantar y bajar la puerta tan seguido como sea necesario.



VOLVER A CONECTAR EL CARRO

1. Jale de la manija de liberación de emergencia hacia el abrepuertas de garaje para que el brazo de liberación del carro pase a la posición horizontal. El carro se reconectará con la siguiente operación de UP (SUBIR) o DOWN (BAJAR), sea manualmente o mediante el uso del control de la puerta o el control remoto.



Mantenimiento

Programa de mantenimiento

MENSUAL

- Opere la puerta manualmente. Si no está balanceada o está atascada, llame a un técnico capacitado en sistemas de puertas.
- Verifique que la puerta abra y cierre en su totalidad. Ajustar si es necesario, consulte la página 33.
- Pruebe el sistema de inversión de seguridad. Ajustar si es necesario, consulte la página 35.

ANUAL

- Engrase los rodillos, los cojinetes y las bisagras de las puertas. El abrepuertas de garaje no requiere lubricación adicional. No engrase las guías de la puerta.
- Pruebe la batería de respaldo y considere reemplazar la batería para garantizar que el abrepuertas de garaje operará durante un corte de electricidad. Consulte la página 36 para probar la batería de respaldo.

Batería del control remoto

⚠ ADVERTENCIA

Para evitar posibles LESIONES GRAVES o la MUERTE, realice lo siguiente:

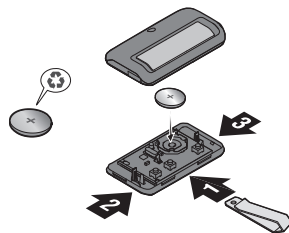
- NUNCA permita que las baterías estén al alcance de los niños pequeños.
- Si alguien ingiere una batería, llame inmediatamente al médico.

Para reducir el riesgo de incendio, explosión o quemaduras químicas, realice lo siguiente:

- Reemplace ÚNICAMENTE con baterías de botón CR2032 de 3 V.
- NO recargue, desmonte, caliente ni incinere por encima de los 212 °F (100 °C).

La batería de litio CR2032 de 3 V debería durar hasta 3 años. Si la batería está baja, el LED del control remoto no parpadeará cuando se presione el botón.

A fin de reemplazar la batería, haga palanca en el estuche primero en el medio (1) y, luego, en cada lado (2 y 3) con la presilla del visor. Reemplace las baterías con baterías de botón CR2032 de 3 V solamente. Inserte la batería con el lado positivo hacia arriba. Deseche las baterías viejas de manera adecuada.



AVISO: Este dispositivo cumple con la parte 15 de las reglas de la FCC y de equipos RSS exentos de licencia de Innovación, Ciencia y Desarrollo Económico de Canadá. El funcionamiento está sujeto a las siguientes dos condiciones: (1) este dispositivo no puede causar interferencia dañina, y (2) este dispositivo debe aceptar toda interferencia recibida, incluso la que puede causar un funcionamiento indeseado.

Todo cambio o modificación a esta unidad que no haya aprobado de forma expresa la parte responsable del cumplimiento puede invalidar el permiso del usuario para operar el equipo.

Este dispositivo debe instalarse para asegurarse de mantener una distancia mínima de 20 cm (8 pulg.) entre los usuarios/transmisor y el dispositivo.

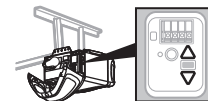
Se probó y se halló que este dispositivo cumple con los límites de un dispositivo digital de clase B, de acuerdo con la parte 15 de las reglas de la FCC y de la norma ICES de Industry Canada. Estos límites están diseñados para brindar una protección razonable contra la interferencia dañina en una instalación residencial. Este equipo genera, utiliza y puede emitir energía de radiofrecuencia y, si no se instala y utiliza de acuerdo con las instrucciones, puede provocar interferencias perjudiciales en las radiocomunicaciones. Sin embargo, no existe garantía de que no ocurra interferencia en una instalación en particular. Si este equipo provoca interferencias que afectan a la recepción de radio o televisión, lo cual puede determinarse al apagar y encender el equipo, se recomienda al usuario que intente corregir la interferencia mediante una o más de las siguientes medidas:

- Cambiar de dirección o de lugar la antena receptora.
- Aumentar la separación entre el equipo y el receptor.
- Conectar el equipo en un tomacorriente en un circuito diferente de donde esté conectado el receptor.
- Consultar al vendedor o a un técnico de radio o TV con experiencia para que lo ayude.

Resolución de problemas

Tabla de diagnóstico

Su abrepuertas de garaje está programado con funciones de autodiagnóstico. Las flechas UP (SUBIR) y DOWN (BAJAR) en el abrepuertas de garaje parpadearán los códigos de diagnóstico.



CÓDIGO DE DIAGNÓSTICO		SÍNTOMA	SOLUCIÓN
△	▽		
Destellos	Destellos		
1	1	El abrepuertas de garaje no se cerrará. cable desconectado o cortado.	Los sensores de inversión de seguridad no están instalados, conectados o los cables podrían estar cortados. Inspeccione los cables del sensor en busca de un
1	2	El abrepuertas de garaje no se cerrará.	Hay un cable en cortocircuito o invertido en los sensores de inversión de seguridad. Inspeccione el cable del sensor de seguridad en todos los puntos de conexión y grapas, reemplace el cable o corrija según sea necesario.
1	3	El control de la puerta no funcionará.	Los cables del control de la puerta están en cortocircuito o el control de la puerta está averiado. Inspeccione los cables del control de la puerta en todos los puntos de conexión y grapas, reemplace el cable o corrija según sea necesario.
1	4	El abrepuertas de garaje no se cerrará.	Los sensores de inversión de seguridad no están alineados o tuvieron una obstrucción momentánea. Vuelva a alinear ambos sensores hasta que ambos LED estén encendidos fijos. Asegúrese de que nada cuelgue ni esté montado sobre la puerta que pueda interrumpir el camino de los sensores mientras se cierra.
1	5	La puerta se mueve 6-8" (15-20 cm) y se detiene o retrocede.	Abra y cierre la puerta manualmente. Verifique si se atasca o si hay obstrucciones, como un resorte roto o una traba en la puerta, y corrija según corresponda. Verifique las conexiones de cableado en el módulo de desplazamiento y en la tarjeta lógica. Reemplace el módulo de desplazamiento de ser necesario.
		No hay movimiento, solo se oye un clic.	Abra y cierre la puerta manualmente. Verifique si se atasca o si hay obstrucciones, como un resorte roto o una traba en la puerta, y corrija según corresponda. Reemplace la tarjeta lógica de ser necesario.
		El abrepuertas emite un ruido por 1-2 segundos y no se mueve.	Abra y cierre la puerta manualmente. Verifique si se atasca o si hay obstrucciones, como un resorte roto o una traba en la puerta, y corrija según corresponda. Reemplace el motor de ser necesario.
1	6	La puerta rueda después de detenerse por completo.	Programa el recorrido hasta la posición en la que rueda o haga que un técnico capacitado en sistemas de puertas la balancee.
2	1-5	No hay movimiento ni sonido.	Reemplace la tarjeta lógica.
3	2	No se pudo establecer el recorrido o retener la posición.	Verifique que el módulo de desplazamiento esté bien ensamblado y reemplácelo de ser necesario.
3	3	El LED de estado de la batería está parpadeando constantemente en verde.	Error en el circuito de carga de la batería de respaldo, reemplace la tarjeta lógica.
4	1-4	La puerta se mueve, se detiene o retrocede. El abrepuertas emite un pitido y las luces parpadean.	Abra y cierre la puerta manualmente. Verifique si se atasca o si hay obstrucciones, como un resorte roto o una traba en la puerta, y corrija según corresponda. Si la puerta se atasca o se traba, llame a un técnico capacitado en sistemas de puertas. Si la puerta no se atasca ni traba, intente reprogramar el recorrido (consulte Programar el recorrido página 34.
4	5	La puerta se mueve 6-8" (15-20 cm) y se detiene o retrocede.	Error de comunicación en el módulo de desplazamiento. Verifique que las conexiones del módulo de desplazamiento y reemplácelo de ser necesario.
4	6	El abrepuertas de garaje no se cerrará.	Los sensores de inversión de seguridad no están alineados o tuvieron una obstrucción momentánea. Vuelva a alinear ambos sensores hasta que ambos LED estén encendidos fijos y no parpadeando. Asegúrese de que nada cuelgue ni esté montado sobre la puerta que pueda interrumpir el camino de los sensores mientras se cierra.

Resolución de problemas

Resolución de problemas adicionales

El abrepuertas de garaje se detiene, retrocede y emite un pitido, y las luces parpadean:

- El abrepuertas de garaje se ha activado a través de un dispositivo o una función como el Temporizador de cierre o el monitor de la puerta del garaje.

Mi control remoto no activa la puerta del garaje:

- Verifique que la función de bloqueo no esté activada en el control de la puerta.
- Vuelva a programar el control remoto.
- Si el control remoto aún no activa la puerta, verifique los códigos de diagnóstico para asegurarse de que el abrepuertas de garaje esté funcionando correctamente.

Mi puerta no se cierra:

El sensor de inversión de seguridad debe estar conectado y alineado correctamente antes de que el abrepuertas de garaje pueda moverse en la dirección de bajada.

- Compruebe que no haya atascos u obstrucciones en el recorrido del suelo del garaje.
- El sensor de inversión de seguridad debe estar conectado y alineado correctamente antes de que el abrepuertas de garaje pueda moverse en la dirección de bajada.
 - Verifique que los sensores de inversión de seguridad estén correctamente instalados, alineados y sin obstrucciones.
 - Si el sensor receptor (LED verde) está orientado hacia la luz solar directa, intercambie el sensor receptor con el emisor para que el sensor receptor no esté bajo la luz solar directa.

Solución de problemas de Wi-Fi®

El abrepuertas de garaje NO entra en el modo learn (aprender) del Wi-Fi®:

- Después de la instalación inicial del abrepuertas de garaje, este deberá completar un ciclo entero (abrirse y cerrarse) antes de que se pueda activar el modo learn (aprender) del Wi-Fi®.
- Si ha habido un corte de luz reciente, el abrepuertas de garaje deberá completar un ciclo entero antes de que se pueda activar el modo learn (aprender) del Wi-Fi®.

Consulte la página 37 para activar el modo

LEARN (APRENDER) del Wi-Fi.

Si el botón negro de ajuste no es de color verde constante, visite support.chamberlaingroup.com.

El Homelink® de mi vehículo no se programa con mi abrepuertas de garaje:

Compatibility Bridge (no se suministra) puede ser necesario en algunos vehículos. Visite bridge.chamberlain.com para descubrir si necesita un Bridge.

El control remoto de mi vecino abre mi puerta de garaje:

Borre la memoria de su abrepuertas de garaje y re programe el control remoto.

Las luces LED del sensor de seguridad no están encendidas:

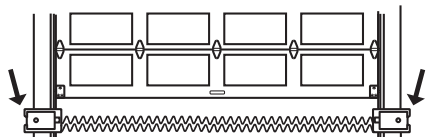
Si los LED del sensor no se iluminan de manera fija cuando se activa el abrepuertas, consulte RESOLUCIÓN DE PROBLEMAS DEL SENSOR DE SEGURIDAD en la página 32.

Garantía

Información de contacto

¡ALTO!

Este abrepuertas de garaje **NO FUNCIONARÁ** hasta que los sensores de inversión de seguridad estén bien instalados y alineados.



Visítenos en línea en:

support.chamberlaingroup.com

El funcionamiento correcto de este producto depende del cumplimiento de las instrucciones relativas a la instalación, el funcionamiento, el mantenimiento y las pruebas. No cumplir estrictamente con esas instrucciones anulará en su totalidad a esta garantía limitada.

Si, durante el período de garantía limitada, este producto parece tener un defecto que está cubierto por esta garantía limitada, visite chamberlain.com, antes de desmontar dicho producto. Se le aconsejará acerca del desensamblaje y envío. Luego envíe el producto o componente, con envío prepagado y asegurado como se le instruya, a nuestro centro de servicio para la reparación bajo garantía. Incluya una breve descripción del problema y un recibo de prueba de compra fechado con cualquier producto devuelto para su reparación bajo la garantía. Los productos devueltos al Vendedor para su reparación bajo la garantía, una vez que los reciba el Vendedor y se confirmen como defectuosos y cubiertos por esta garantía limitada, se repararán o reemplazarán (a elección exclusiva del Vendedor) sin costo para usted y se devolverán con el envío prepagado. Las piezas defectuosas serán reparadas o reemplazadas por piezas nuevas o reconstruidas en fábrica a discreción del Vendedor. [Usted es responsable de los costos incurridos al desinstalar o reinstalar el producto o cualquier componente].

TODAS LAS GARANTÍAS IMPLÍCITAS PARA EL PRODUCTO, INCLUIDAS, ENTRE OTRAS, CUALQUIER GARANTÍA IMPLÍCITA DE COMERCIABILIDAD E IDONEIDAD PARA UN PROPÓSITO EN PARTICULAR, TIENEN UNA DURACIÓN QUE SE LIMITA AL PERÍODO DE GARANTÍA LIMITADA APLICABLE ESTABLECIDO ANTERIORMENTE PARA LOS COMPONENTES RELACIONADOS, Y NO EXISTIRÁ NI SE APLICARÁ NINGUNA GARANTÍA IMPLÍCITA DESPUÉS DE DICHO PERÍODO. Algunos estados y provincias no permiten limitaciones sobre la duración de una garantía implícita, por lo que es posible que la limitación anterior no sea aplicable en su caso. **ESTA GARANTÍA LIMITADA NO CUBRE LOS DAÑOS QUE NO SE DEBAN A DEFECTOS, LOS DAÑOS DEBIDOS A UNA INSTALACIÓN, FUNCIONAMIENTO O CUIDADO INADECUADOS (INCLUIDOS, PERO SIN LIMITARSE A, EL ABUSO, MAL USO, FALTA DEL MANTENIMIENTO RAZONABLE Y NECESARIO, LAS REPARACIONES NO AUTORIZADAS O CUALQUIER ALTERACIÓN DE ESTE PRODUCTO), LOS CARGOS POR REINSTALAR UNA UNIDAD REPARADA O REEMPLAZADA, EL REEMPLAZO DE ARTÍCULOS CONSUMIBLES (POR EJEMPLO, LAS BATERÍAS EN LOS TRANSMISORES DEL CONTROL REMOTO Y LAS BOMBILLAS), O LAS UNIDADES INSTALADAS PARA USO NO RESIDENCIAL. ESTA GARANTÍA LIMITADA NO CUBRE NINGÚN PROBLEMA CON, O RELACIONADO CON, LA PUERTA DEL GARAJE O EL HERRAJE DE LA PUERTA DEL GARAJE, INCLUIDOS, PERO SIN LIMITARSE A, LOS RESORTES DE LA PUERTA, LOS RODILLOS DE LA PUERTA, LA ALINEACIÓN DE LA PUERTA O LAS BISAGRAS. ESTA GARANTÍA LIMITADA TAMPOCO CUBRE NINGÚN PROBLEMA CAUSADO POR LAS INTERFERENCIAS. BAJO NINGUNA CIRCUNSTANCIA, EL VENDEDOR SERÁ RESPONSABLE DE DAÑOS CONSECUENTES, INCIDENTALES O ESPECIALES QUE SURJAN EN RELACIÓN CON EL USO O LA INCAPACIDAD DE USO DE ESTE PRODUCTO. EN NINGÚN CASO LA RESPONSABILIDAD DEL VENDEDOR POR EL INCUMPLIMIENTO DE LA GARANTÍA, EL INCUMPLIMIENTO DEL CONTRATO, LA NEGLIGENCIA O RESPONSABILIDAD Estricta EXCEDERÁ EL COSTO DEL PRODUCTO CUBIERTO POR EL PRESENTE. NINGUNA PERSONA ESTÁ AUTORIZADA A ASUMIR POR NOSOTROS NINGUNA OTRA RESPONSABILIDAD EN RELACIÓN CON LA VENTA DE ESTE PRODUCTO.**

Algunos estados y provincias no permiten la exclusión o limitación de daños emergentes, incidentales o especiales, por lo que es posible que la limitación o exclusión anterior no sea aplicable en su caso. Esta garantía limitada le otorga derechos legales específicos, y también puede tener otros derechos que varían de estado a estado y de provincia a provincia.

GARANTÍA LIMITADA DE CHAMBERLAIN®

Chamberlain Group, Inc.® ("Vendedor") garantiza al primer comprador minorista de este producto, para la residencia en la que este producto se instale originalmente, que estará libre de defectos en los materiales o mano de obra durante un período específico de tiempo, según se define a continuación (el "Período de garantía"). El período de garantía comienza a partir de la fecha de compra.

PERÍODO DE GARANTÍA					
Modelo	Piezas	Motor	Accesorios	Cinta	Batería de respaldo
B2202	1 año	6 años	1 año	5 años	—
B2210T	1 año	6 años	1 año	5 años	1 año
B2211T	1 año	6 años	1 año	5 años	1 año
B2212T	1 año	6 años	1 año	5 años	1 año
B2215T	1 año	6 años	1 año	5 años	1 año
B2401	1 año	10 años	1 año	15 años	—
B2405	1 año	10 años	1 año	15 años	—
B353	1 año	6 años	1 año	5 años	—
B4505T	5 años	Toda la vida	1 año	Toda la vida	—

Guía de seguridad y mantenimiento del abrepuertas de garaje automático

Seguridad del abrepuertas de garaje: una solución automática

Una puerta de garaje es el objeto móvil más grande de la casa. Una puerta de garaje y un abrepuertas mal ajustados pueden ejercer una fuerza letal cuando la puerta se cierra, lo que podría provocar que niños o adultos queden atrapados y que se produzcan lesiones o la muerte.

La instalación, operación, mantenimiento y prueba adecuados de la puerta del garaje y el abrepuertas automático son necesarios para proporcionar un sistema seguro y sin problemas. La operación descuidada o permitir que los niños jueguen o usen los controles del abrepuertas de garaje son situaciones peligrosas también que pueden conducir a resultados trágicos. Algunas precauciones simples pueden proteger a su familia y amigos de posibles daños. Lea atentamente los consejos de seguridad y mantenimiento de esta guía y consérvela como referencia. Verifique el funcionamiento de la puerta y abrepuertas de su garaje para asegurarse de que funcionen de manera segura y sin problemas. Asegúrese de leer toda la Información importante de seguridad que se encuentra en el manual del abrepuertas de garaje, ya que este proporciona más detalles y consideraciones de seguridad que los que se pueden proporcionar con esta guía.

Los abrepuertas de garaje no son juguetes

Hable con sus hijos sobre la seguridad de la puerta del garaje y del abrepuertas. Explique el peligro de quedar atrapado debajo de la puerta.



Manténgase alejado de una puerta en movimiento.



El botón pulsador montado en la pared debe estar fuera del alcance de los niños, al menos a 5 pies de la superficie de apoyo más cercana y lejos de todas las partes móviles. Monte y use el botón donde pueda ver claramente la puerta del garaje al cerrarse.



Mantenga los transmisores y controles remotos fuera del alcance de los niños.

No permita que los niños jueguen o utilicen los transmisores u otros dispositivos de control remoto.



Mantenga la puerta a la vista hasta que se cierre por completo cuando utilice el botón pulsador o transmisor montado en la pared.

El mantenimiento de rutina puede prevenir tragedias

Haga que la inspección y prueba mensual de la puerta de su garaje y el sistema de apertura sean parte de su rutina habitual. Revise el manual del propietario tanto para la puerta como para el abrepuertas. Si no tiene los manuales del propietario, comuníquese con el (los) fabricante(s) y solicite una copia para su(s) modelo(s) específico(s). Busque el número de modelo del abrepuertas en la parte posterior de la unidad de alimentación.

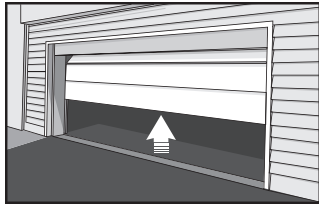


ADVERTENCIA: LOS RESORTES ESTÁN SOMETIDOS A ALTA TENSIÓN. SOLO PERSONAS CALIFICADAS DEBEN AJUSTARLOS.



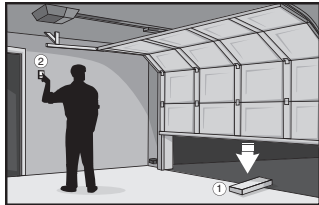
Verifique de forma visual la puerta y la instalación:

- Con la puerta en la posición cerrada, use la desconexión manual en el abrepuertas para desconectar la puerta.
- Busque signos de desgaste o daños en las bisagras, rodillos, resortes y paneles de puertas.
- Estas piezas pueden requerir lubricación periódica. Consulte el manual del propietario para obtener información sobre el mantenimiento sugerido.
- Si hay signos de daño evidentes, póngase en contacto con un técnico capacitado en sistemas de puertas para obtener ayuda.
- Verifique que la altura de la fotocélula no sea superior a 6" desde el suelo del garaje.



Pruebe que la puerta funciona correctamente:

- Abra y cierre la puerta manualmente utilizando las manijas o puntos de agarre adecuados.
- La puerta debe moverse libremente y sin dificultad.
- **La puerta debe permanecer en equilibrio y parcialmente abierta a 3 o 4 pies sobre el suelo.**
- Si detecta algún signo de funcionamiento incorrecto, comuníquese con un técnico capacitado en sistemas de puertas para obtener ayuda.



Pruebe las características de seguridad del abrepuertas:

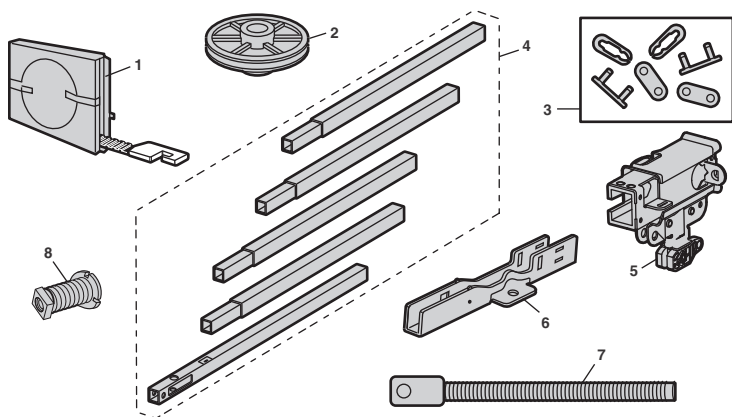
- Vuelva a conectar el abrepuertas a la puerta usando la desconexión manual y abra la puerta.
- Coloque una tabla de 2x4 plana en el camino de la puerta (1) e intente cerrarla (2). La puerta debe detenerse cuando entre en contacto con la madera de 2x4 y luego invertir la dirección de movimiento.
- Bloquee el sensor fotoeléctrico moviendo un objeto frente al sensor e intente cerrar la puerta. La puerta no debe cerrarse a menos que el botón pulsador montado en la pared se mantenga presionado manualmente durante el funcionamiento.
- Si el abrepuertas no funciona como se describe, comuníquese con un técnico capacitado en sistemas de puertas para obtener ayuda.



Piezas de repuesto

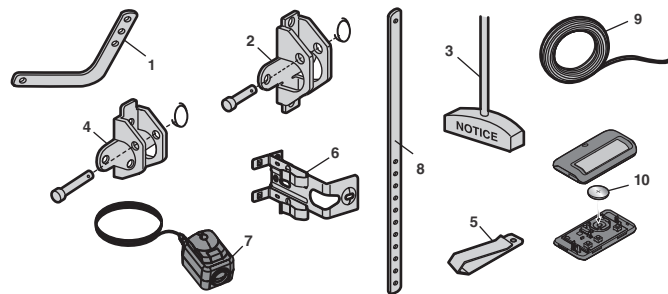
Piezas para montar el riel

Descripción	Número de pieza
1 Cinta	041A5250
2 Polea	144C0054M
3 Conector maestro	004A1008
4 Riel	041A5665
5 Ensamblaje del carro: eje roscado (1), pasador de horquilla y aro (1)	041C5141-2
6 Soporte en "U"	041D0598-1
7 Eje roscado en D	041A6689
8 Tuerca del carro con resorte	041B4103
No se muestra	
Almohadillas de desgaste	041A7276
Bolsa de herrajes	041A7920-2



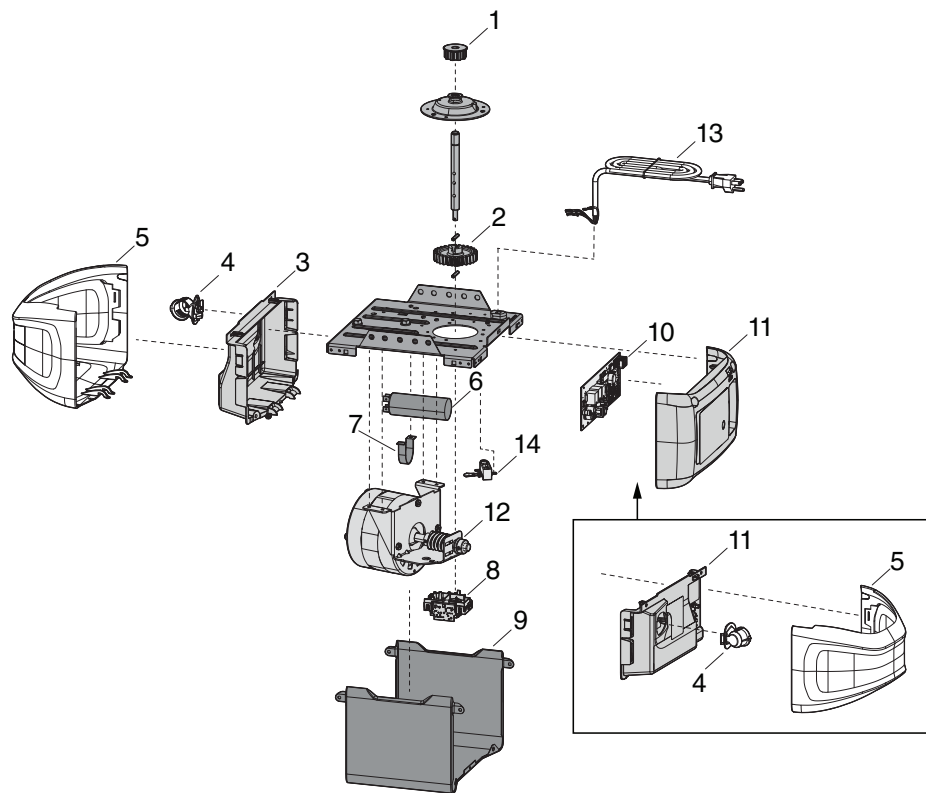
Piezas de instalación

Descripción	Número de pieza
1 Brazo curvo de la puerta	041B0035B
2 Soporte de la puerta con pasador de horquilla y sujetador	041A5047-1
3 Soga y manija de liberación de emergencia	041A282 8
4 Soporte de la puerta con pasador de horquilla y sujetador	041A5047-2
5 Presilla del visor del control remoto	K029B0137
6 Soporte del sensor de seguridad	041-0155-000
7 Kit del sensor de seguridad: sensores receptores y emisores con cable de 2 conductores	041-0136-000
8 Brazo recto de la puerta	4178B0034B
9 Cable blanco y rojo/blanco	041B4494-1
10 Batería de litio CR2032 de 3V	K010A0020
No se muestra	
Manual de instalación	114-5556-000



Piezas de repuesto

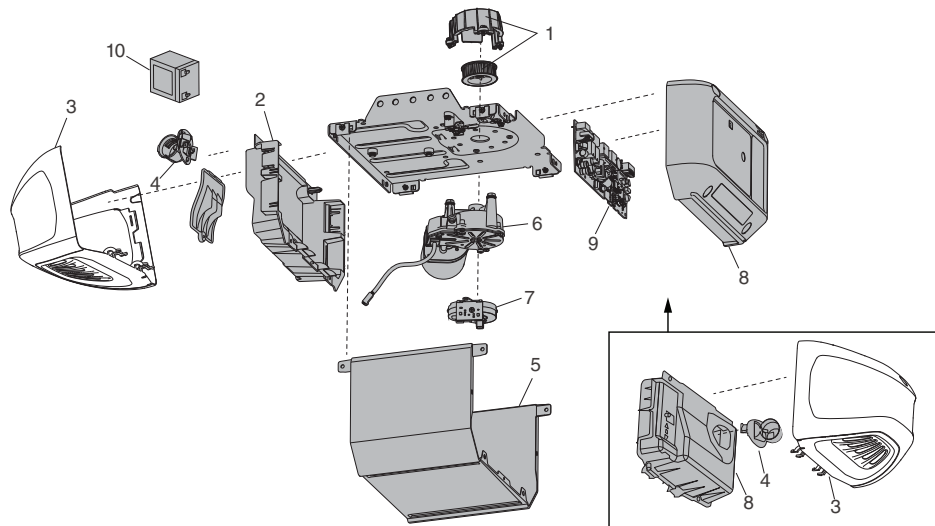
Piezas del abrepuerta de garaje: Modelos B2202, B2401, B2405, y B353



Descripción	Número de pieza
1 Cubierta de la rueda dentada	041A4371
2 Engranaje	041A5885-4
3 Panel del extremo con cubierta de luz	041-0037-000
4 Portalámparas	041C0279
5 Lente de luz	K108D0079M
6 Condensador	030B0532-1
7 Soporte del condensador	K012A0373
8 Módulo de recorrido	041D7742-7
9 Cubierta	041-0024-000
10 Tarjeta lógica del receptor	050ACTB
11 Panel del extremo con tarjeta lógica	041-0025-000
12 Motor con módulo de recorrido	041D7440
13 Cable de alimentación	041B4245-1
14 Bloque del terminal	041A3150
No se muestra	
Cable del arnés	041A7946041A7946

Piezas de repuesto

Piezas del abrepuertas de garaje: Modelos B2210T, B2211T, B2212T, B2215T y B4505T



Descripción	Número de pieza
1 Cubierta de la rueda dentada	041B5348-2
2 Panel del extremo delantero	041A7618
3 Lente de luz	041-0144
4 Portalámparas	041C0279
5 Cubierta	041-0229-000
6 Motor con módulo de recorrido	041D8006-1
7 Módulo de recorrido	041D8071-4
8 Panel del extremo con tarjeta lógica	041-0233-3
9 Tarjeta lógica	050DCTBMC
10 Batería de 12 V	G4228
No se muestra	
Arnés del cable	041D9069
Transformador	041D0277-1
Cable de alimentación	041B4245
Bloque del terminal	041A3150

© 2023, The Chamberlain Group LLC
Todos los derechos reservados
Wi-Fi® es una marca comercial registrada de Wi-Fi Alliance
HomeLink® es una marca comercial registrada de Gentex Corporation

114-5745-020

The Chamberlain Group, LLC
300 Windsor Drive
Oak Brook, IL 60523