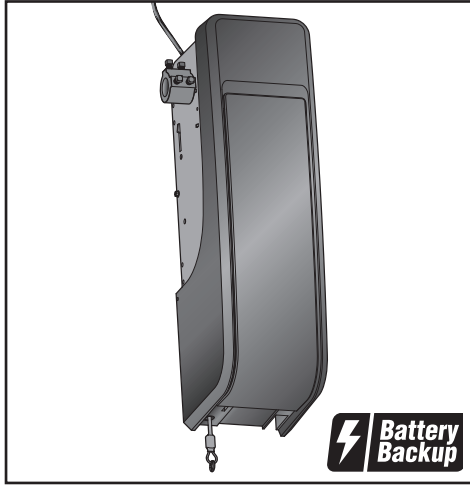


# Wall Mount Wi-Fi® Garage Door Opener

## Models RJO101

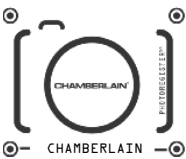
For Residential Use  
Install On Sectional Doors With Torsion Assemblies Only



This product is intended for installation only by trained garage door technicians. This product may require adjustments to door springs and/or track configurations. This product is not intended for use on low headroom tracks with outside pick up drums or garage doors utilizing extension springs.

- Please read this manual and the enclosed safety materials carefully!
- The door **WILL NOT CLOSE** unless the Protector System® is connected and properly aligned.
- Periodic checks of the garage door opener are required to ensure safe operation.
- The model number is located on the front cover of the opener.
- This garage door opener is **ONLY** compatible with myQ® and Security+ 2.0® accessories.
- Attach warning labels to the location indicated on label.

Register your garage door opener to receive updates and offers from Chamberlain



1. Take a photo of the camera icon including the points (●).
2. Send it in by texting the photo to 71403 (US) or visit [www.chamberlain.com](http://www.chamberlain.com) photo (Global)



Monitor and control your garage from anywhere and get real-time alerts with peace of mind.

Easy step-by-step interactive 3D instructions for this product can be found in



**BILT.** INTELLIGENT INSTRUCTIONS

Download the free BILT App before assembly



Chamberlain  
300 Windsor Drive  
Oak Brook, IL 60523



CHAMBERLAIN

# Table of Contents

<b>PREPARATION</b>	<b>2</b>	Test the Safety Reversal System.....	<b>9</b>	<b>MAINTENANCE</b>	<b>19</b>
myQ Serial Number.....	2	Test the Protector System®.....	9	Care of Your Garage Door Opener.....	19
Safety Symbol and Signal Word Review ...	2	<b>ADJUSTMENT</b>	<b>10</b>	<b>TROUBLESHOOTING</b>	<b>20</b>
Unattended Operation.....	2	Test the Power Door Lock.....	10	Diagnostic Chart.....	20
Planning.....	3	Test the Emergency Release.....	10	Additional Troubleshooting.....	21
Before You Connect with Your Smartphone	4	<b>OPERATION</b>	<b>11</b>	<b>REPAIR PARTS</b>	<b>23</b>
Preparing Your Garage Door.....	5	Using Your Garage Door Opener.....	12	Installation Parts.....	23
Tools Needed.....	5	Connect With Your Smartphone.....	13	Garage Door Opener Assembly Parts.....	24
Carton Inventory.....	6	Using the Door Control.....	14	<b>CONTACT INFORMATION</b>	<b>24</b>
<b>ADJUSTMENT</b>	<b>7</b>	Using the Remote Control.....	15	<b>WARRANTY</b>	<b>26</b>
Identify Door Profile.....	7	<b>PROGRAMMING</b>	<b>16</b>	<b>AUTOMATIC GARAGE DOOR OPENER</b>	<b>27</b>
Set Door Profile.....	7	Program the Smart LED Light.....	17	<b>SAFETY &amp; MAINTENANCE GUIDE</b>	<b>27</b>
Program the Travel.....	8	To Erase the Memory.....	17		
Automatic Force Set Up.....	8	HomeLink®.....	18		

## Preparation

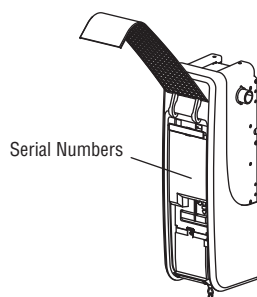
### myQ Serial Number

Write down the following information for future reference:

myQ Serial Number:

Product Serial Number:

Date of Purchase:



### Safety Symbol and Signal Word Review

This garage door opener has been designed and tested to offer safe service provided it is installed, operated, maintained and tested in strict accordance with the instructions and warnings contained in this manual.

When you see these Safety Symbols and Signal Words on the following pages, they will alert you to the possibility of **serious injury or death** if you do not comply with the warnings that accompany them. The hazard may come from something mechanical or from electric shock. Read the warnings carefully.

When you see this Signal Word on the following pages, it will alert you to the possibility of damage to your garage door and/or the garage door opener if you do not comply with the cautionary statements that accompany it. Read them carefully.



**WARNING:** This product can expose you to chemicals including lead, which are known to the State of California to cause cancer or birth defects or other reproductive harm. For more information go to [www.P65Warnings.ca.gov](http://www.P65Warnings.ca.gov).



**WARNING**

**Mechanical**



**WARNING**

**Electrical**



**CAUTION**

### Unattended Operation

The Timer-to-Close (TTC) feature, the myQ Smartphone Control app, and myQ Garage Door and Gate Monitor are examples of unattended close and are to be used **ONLY** with sectional doors. Any device or feature that allows the door to close without being in the line of sight of the door is considered unattended close. The Timer-to-Close (TTC) feature, the myQ Smartphone Control, and any other myQ devices are to be used **ONLY** with sectional doors.

Smart LED Light must be installed to enable use of Timer To Close or myQ Smartphone Control of the door.

# Preparation

## Planning

Survey your area to see if any of the conditions below apply to your installation. Take note of the drum sizes to make sure they are correct. Depending on your requirements, additional materials may be required.

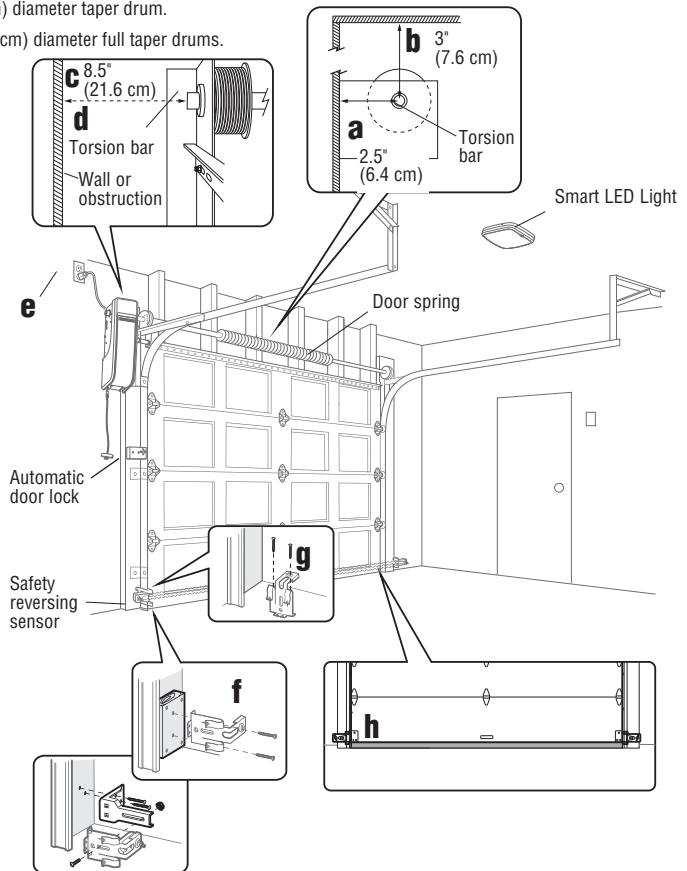
### THIS DOOR OPENER IS COMPATIBLE WITH:

- Doors that use a torsion bar and springs. The torsion bar must be 1" (2.5 cm) diameter. NOT compatible with reverse wound drums.
- Standard lift sectional doors using 4-6" (10-15 cm) diameter drums.
- 4-6" (10-15 cm) straight drums.
- 3 to 3.9 inch (7.6cm to 9.9cm) drums may be used on doors up to 430 lbs. (195.4Kgs)
- High lift (up to 54" (137.2 cm) high) and standard lift sectional doors up to 14 ft. (4.3 m) high.
- High lift sectional doors using 8" (20 cm) diameter taper drum.
- Vertical lift sectional doors using 8" (20 cm) diameter full taper drums.
- Doors up to 18 ft. (5.5 m) wide.

Review or inspect proposed installation area. The door opener can be installed on the left or right side of door. Select the side that meets the requirements listed below.

- Must have minimum of 2.5" (6.4 cm) between the wall and the center of the torsion bar.
- Must have minimum of 3" (7.6 cm) between the ceiling and the center of torsion bar.
- Must have minimum of 8.5" (21.6 cm) between the side wall (or obstruction) and the end of torsion bar.
- The torsion bar must extend at least 1.5" (3.81 cm) past the bearing. This may vary depending on your installation requirements.
- An electric outlet is required within 6 ft. (1.83 m) of the installation area. If outlet does not exist, contact a qualified electrician.
- Depending upon building construction, extension brackets or wood blocks may be needed to install safety reversing sensors and cable tension monitor.
- Alternate floor mounting of the safety reversing sensors will require hardware (not provided).
- Check the seal on the bottom of the door. Any gap between the floor and the bottom of the door must not exceed 1/4 inch (6 mm). Otherwise, the safety reversal system may not work properly.

**NOTE:** Inspect the torsion bar while the door is raised and lowered. It is important that there is no noticeable movement up and down or left and right. If the movement is not corrected, the life of the garage door opener will be greatly reduced.



# Preparation

## Before You Connect with Your Smartphone

Monitor and control your garage door from anywhere using the myQ app.

### BEFORE YOU BEGIN:

You will need:

- Wi-Fi enabled smartphone, tablet or laptop
- Broadband Internet Connection
- Wi-Fi signal in the garage (**2.4 Ghz, 802.11b/g/n required**)
- Password for your home network (router's main account, not guest network)

### TEST THE WI-FI SIGNAL STRENGTH

Make sure your mobile device is connected to your Wi-Fi network. Hold your mobile device in the place where your garage door opener will be installed and check the Wi-Fi signal strength.



#### Check Signal Strength. If you see:



#### Wi-Fi signal is strong.

The garage door opener will connect to your Wi-Fi network.



#### Wi-Fi signal is weak.

The garage door opener may connect to your Wi-Fi network. If not, try one of the options below to improve the Wi-Fi signal:



#### No Wi-Fi signal.

The garage door opener will not be able to connect to your Wi-Fi network. Try one of the options below to improve the Wi-Fi signal:

- Move your router closer to the garage door opener to minimize interference from walls and other objects
- Buy a Wi-Fi range extender

For compatible router specifications and help, visit [support.chamberlaingroup.com](http://support.chamberlaingroup.com). See page 13 to connect the garage door opener to a mobile device.

# Preparation

## Preparing Your Garage Door

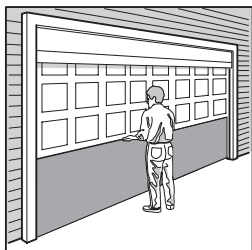
### BEFORE YOU BEGIN:

- Disable locks.
- Remove any ropes connected to the garage door.

Complete the following test to make sure the garage door is balanced and is not sticking or binding:

1. Lift the door halfway up. Release the door. If balanced, it should stay in place, supported entirely by its springs.
2. Raise and lower the door to check for binding or sticking.
3. A properly balanced door should NOT open or fall rapidly.

If your door binds, sticks, or is out of balance, call a trained door systems technician.



Sectional Door

## ⚠ WARNING

To prevent possible **SERIOUS INJURY** or **DEATH**:

- ALWAYS call a trained door systems technician if garage door binds, sticks, or is out of balance. An unbalanced garage door may NOT reverse when required.
- NEVER try to loosen, move or adjust garage door, door springs, cables, pulleys, brackets or their hardware, ALL of which are under **EXTREME** tension.
- Disable ALL locks and remove ALL ropes connected to garage door BEFORE installing and operating garage door opener to avoid entanglement.
- This opener system is equipped with an unattended operation feature. The door could move unexpectedly. **NO ONE SHOULD CROSS THE PATH OF THE MOVING DOOR.**

## ⚠ CAUTION

To prevent damage to garage door and opener:

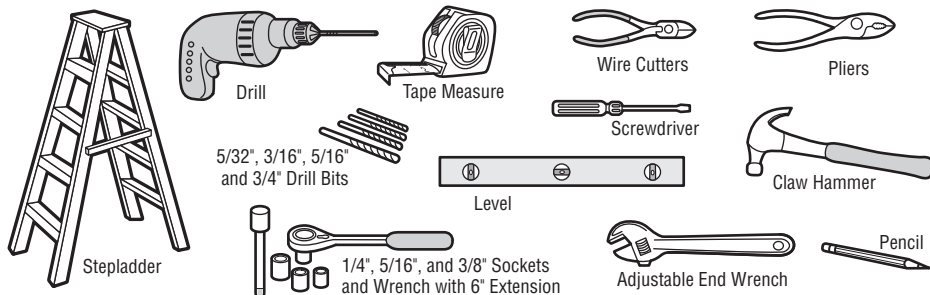
- ALWAYS disable locks BEFORE installing and operating the opener.
- ONLY operate garage door opener at 120V, 60 Hz to avoid malfunction and damage.

## SPECIFICATIONS

Volts .....	120 Vac - 60 Hz, ONLY
Current .....	1.5 AMP
LED Light Current (independently powered) .....	0.2 AMPS

## Tools Needed

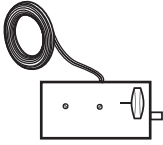
During assembly, installation and adjustment of the garage door opener, instructions will call for hand tools as illustrated below.



# Preparation

## Carton Inventory

If anything is missing, carefully check the packing material.



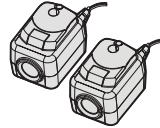
Automatic Garage Door Lock with 2-Conductor White and White/Black Bell Wire with Connector  
**NOTE:** Older model 24V door locks are incompatible



Garage Door Opener



2 Conductor Bell Wire White and White/Red



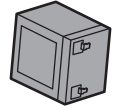
The Protector System (2) Safety Reversing Sensors (1 Sending Sensor and 1 Receiving Sensor) with 2-Conductor White and White/Black Bell Wire attached



Collar with Set Screws



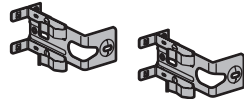
Mounting Bracket



Battery



Safety Labels and Literature



Safety Reversing Sensor Bracket (2)

## INCLUDED ACCESSORIES



Motion-Detecting Control Panel



Single Button Premium Remote Control Model 950ESTD (1)



Remote Control Visor Clip



Smart LED Light myQLED1 (Garage Door Opener Light) with Hardware Bag

## HARDWARE

- Screw #10-32 (2)
- Screw 14-10x2" (2)
- Handle
- Rope
- Screw 1/4"-20x1/2" (2)

- Screw 6ABx1-1/4" (2)
- Drywall Anchor (2)
- Screw 6-32x1" (2)
- Carriage Bolt 1/4"-20x1/2" (2)
- Wing Nut 1/4"-20 (2)

- SMART LED LIGHT:**
- Drywall Anchor (Screw-In) (2)
  - Screw #6x1" (2)

# Adjustment

## 1 Identify Door Profile

To identify the door profile number, measure the full drum diameter based on the images below.

*NOTE: This step is important to ensure the proper operation of the unit.*

To view a video demonstration of how to identify and set the door profile, scan the QR code.



### **⚠ WARNING**

To prevent possible **SERIOUS INJURY** or **DEATH**, follow instructions to select and set door profile for safe and proper operation.

### Standard Lift Sectional Door

- Door Profile 1 = Standard to Heavy Weight Door\* with a 4" drum (Recommended).
- Door Profile 2 = Light Weight Door with a 4" drum.
- Door Profile 3 = Heavy Weight Door\* with a 6" drum.
- Door Profile 4 = Light Weight Door with a 6" drum.

\*NOTE: Drum sizes may vary by manufacturer.

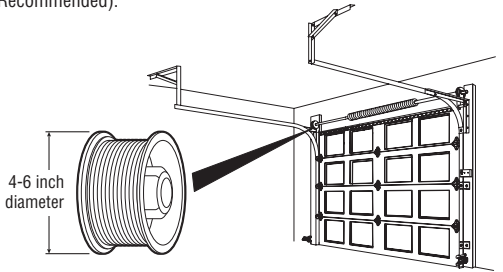
For Standard Lift Sectional Doors:

- Drums less than or equal to 5", use 4" drum.
- Drums more than 5", use 6" drum.

If unsure about door weight, choose:

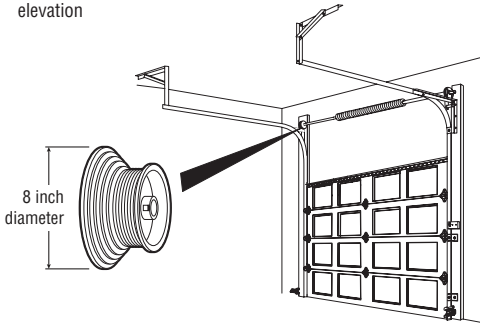
Door Profile 1 for a 4" drum.

Door Profile 3 for a 6" drum.



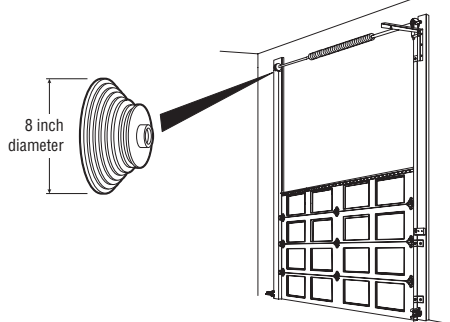
### High Lift Door

- Door Profile 5 = Tapered drum with rails that raise to a higher elevation



### Vertical Lift Sectional Door

- Door Profile 5 = Tapered Drum with rails raising vertically above the opening.



## 2 Set Door Profile

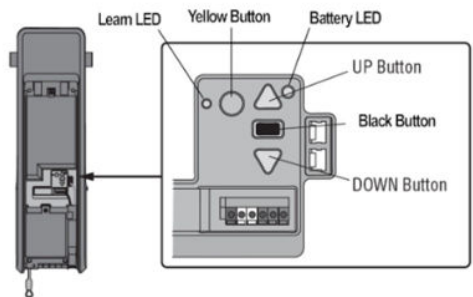
1. To enter Set Door Profile mode, press and hold the black button for one second. The UP and DOWN buttons turn a solid color.
2. To set Door Profile, press the UP and DOWN buttons. The Learn LED button blinks and beeps as you change the setting.
3. The number of Learn LED button blinks indicates which profile you have selected. There is no preset door profile setting.
4. Press and release the Black button to set the Door Profile. This process is now complete. Proceed to the Travel Learn mode.

### EXITING DOOR PROFILE NUMBER SETTING

If there is no selection within 4.5 minutes, the Door Profile selection mode will be cancelled with a long beep.

### **⚠ WARNING**

To prevent possible **SERIOUS INJURY** or **DEATH**, after ANY changes to the door profile, reprogram limits.



# Adjustment

## 3 Program the Travel

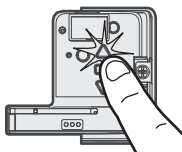
### WARNING

Without a properly installed safety reversal system, persons (particularly small children) could be SERIOUSLY INJURED or KILLED by a closing garage door.

- Incorrect adjustment of garage door travel limits will interfere with proper operation of safety reversal system.
- After ANY adjustments are made, the safety reversal system MUST be tested. Door MUST reverse on contact with 1-1/2" (3.8 cm) high object (or 2x4 laid flat) on floor.

**NOTE:** While programming the travel, the UP and DOWN buttons can be used to move the door as needed. During the Automatic Force Setup, the door will automatically open and close.

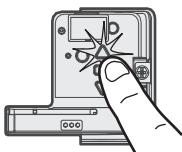
- 1** Press and hold the Adjustment Button until the UP Button begins to flash and/or a beep is heard. The Safety Reversing Sensors will be disconnected during the Program the Travel process.



- 2** Press and hold the UP Button until the door is in the desired UP position.



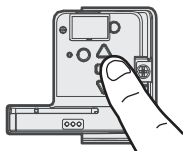
- 3** Once the door is in the desired UP position press and release the Adjustment Button. The garage door opener lights will flash twice and the DOWN Button will begin to flash.



- 4** Press and hold the DOWN Button until the door is in the desired DOWN position.



- 5** Once the door is in the desired DOWN position press and release the Adjustment Button. The garage door opener lights will flash twice. Program the Travel is now complete. If the garage door opener lights flash 5 times, then programming has timed out and the Travel Limits have not been set. Please restart the Program the Travel process.



## 4 Automatic Force Set Up

Once both the up and down positions have been manually set, the Safety Reversing Sensors will reconnect and become operational. Then, the opener will enter a force-sensing operation by automatically moving the door open and close. The garage door opener will sound an audible and visual alert before automatically opening and closing the door. The garage door opener will beep three times, confirming that the Automatic Force Setup completed successfully. Adjustment is complete.

If you hear one long beep after the door attempts to move, then the Automatic Force Set Up has not completed successfully. Please start over at step 1 of Program the Travel.





# Adjustment

## 5 Test the Safety Reversal System

### **WARNING**

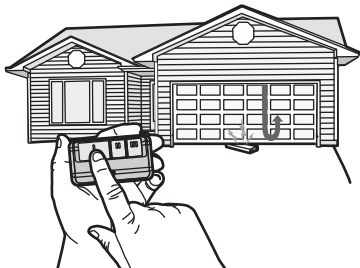
Without a properly installed safety reversal system, persons (particularly small children) could be **SERIOUSLY INJURED** or **KILLED** by a closing garage door.

- Safety reversal system **MUST** be tested every month.
- After **ANY** adjustments are made, the safety reversal system **MUST** be tested. Door **MUST** reverse on contact with 1-1/2" high (3.8 cm) high object (or 2x4 laid flat) on the floor.

- 1 With the door fully open, place a 1-1/2 inch (3.8 cm) board (or a 2x4 laid flat) on the floor, centered under the garage door.



- 2 Press the remote control push button to close the door. The door **MUST** reverse when it makes contact with the board.



If the door stops but does not reverse:

1. Repeat Program the Travel (see Adjustment Step 1);
2. Repeat the Safety Reversal test.

If the test continues to fail, call a trained door systems technician.

## 6 Test the Protector System®

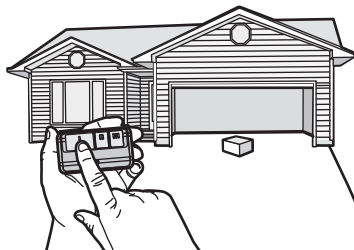
### **WARNING**

Without a properly installed safety reversing sensor, persons (particularly small children) could be **SERIOUSLY INJURED** or **KILLED** by a closing garage door.

- 1 Open the door. Place an obstruction in the path of the door.



- 2 Press the remote control push button to close the door. The door will not move more than an inch (2.5 cm).



The garage door opener will not close from a remote control if the LED in either safety reversing sensor is off (alerting you to the fact that the sensor is misaligned or obstructed).

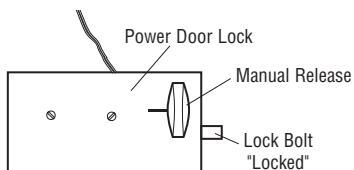
If the garage door opener closes the door when the safety reversing sensor is obstructed (and the sensors are no more than 6 inches [15 cm] above the floor), call for a trained door systems technician.

# Adjustment

## 7 Test the Power Door Lock

1. With the door fully closed, check to ensure that the power lock bolt is visible protruding through the track.
2. Press the button on the remote control to open the garage door. The power door lock should retract before the door begins to move.
3. Press the button on the remote control to close the garage door. When the door reaches the fully closed position, the power door lock should automatically activate to secure the door.

*NOTE: The power door lock can be manually released by sliding the manual release handle to the open position. However, if the power door lock does not function, contact Chamberlain for a replacement.*



## WARNING

To prevent possible **SERIOUS INJURY** or **DEATH** from a falling garage door:

- If possible, use emergency release handle to disengage door **ONLY** when garage door is **CLOSED**. Weak or broken springs or unbalanced door could result in an open door falling rapidly and/or unexpectedly.
- **NEVER** use emergency release handle unless garage doorway is clear of persons and obstructions.

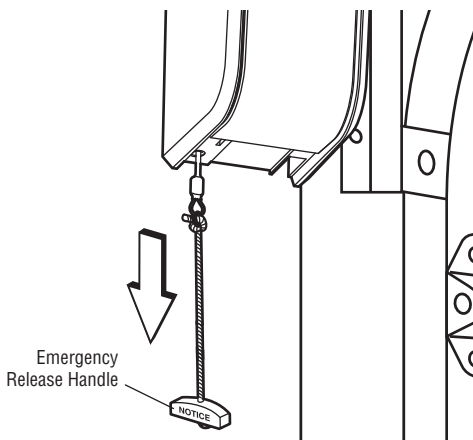
## 8 Test the Emergency Release

### OPEN THE DOOR MANUALLY:

1. Close the garage door. Slide the manual release handle on power door lock to open before proceeding.
2. Pull down on the emergency release handle until you hear a click.
3. Lift the door manually.

### RECONNECT THE DOOR TO THE GARAGE DOOR OPENER:

1. Pull down on the emergency release handle until you hear a click. The door will reconnect on the next UP or DOWN operation.



# IMPORTANT SAFETY INSTRUCTIONS



## To reduce the risk of SEVERE INJURY or DEATH:

1. Read and follow all warnings and instructions.
2. ALWAYS keep remote controls out of reach of children. NEVER permit children to operate or play with garage door control push buttons or remote controls.
3. ONLY activate garage door when it can be seen clearly, it is properly adjusted, and there are no obstructions to door travel.
4. ALWAYS keep garage door in sight and away from people and objects until completely closed. NO ONE SHOULD CROSS THE PATH OF THE MOVING DOOR.
5. NO ONE SHOULD GO UNDER A STOPPED, PARTIALLY OPENED DOOR.
6. If possible, use emergency release handle to disengage trolley ONLY when garage door is CLOSED. Use caution when using this release with the door open. Weak or broken springs or unbalanced door could result in an open door falling rapidly and/or unexpectedly and increasing the risk of SEVERE INJURY or DEATH.
7. NEVER use emergency release handle unless garage doorway is clear of persons and obstructions.
8. NEVER use emergency release handle to pull garage door open or closed. If rope knot becomes untied, you could fall.
9. After ANY adjustments are made, the safety reversal system MUST be tested.
10. Safety reversal system MUST be tested every month. Garage door MUST reverse on contact with 1-1/2" high (3.8 cm) object (or a 2x4 laid flat) on the floor. Failure to adjust the garage door opener properly increases the risk of SEVERE INJURY or DEATH.
11. ALWAYS KEEP GARAGE DOOR PROPERLY BALANCED. An improperly balanced door may NOT reverse when required and could result in SEVERE INJURY or DEATH.
12. ALL repairs to cables, spring assemblies and other hardware, ALL of which are under EXTREME tension, MUST be made by a trained door systems technician.
13. ALWAYS disconnect electric power to garage door opener BEFORE making ANY repairs or removing covers.
14. This garage door opener system is equipped with an unattended operation feature. The door could move unexpectedly. NO ONE SHOULD CROSS THE PATH OF THE MOVING DOOR.
15. **SAVE THESE INSTRUCTIONS.**

# Operation

## Using Your Garage Door Opener

### FEATURES

Your garage door opener is equipped with features to provide you with greater control over your garage door operation.

#### Alert2Close

The Alert2Close feature provides a visual and an audible alert that an unattended door is closing.

#### TIMER-TO-CLOSE (TTC)

The TTC feature automatically closes the door after a specified time period that can be adjusted using a TTC enabled door control (Multi-Function Wall Control). Prior to and during the door closing the garage door opener lights will blink and the garage door opener will beep. Smart LED Light must be installed to use TTC or myQ to control the door.

#### myQ

myQ allows you to control your garage door opener from your mobile device or computer from anywhere. myQ technology uses a 900Mhz signal to provide two way communication between the garage door opener and myQ enabled accessories.

The garage door opener has an internal gateway that allows the garage door opener to communicate directly with a home Wi-Fi network and access your myQ account.

### THE PROTECTOR SYSTEM (SAFETY REVERSING SENSORS)

When properly connected and aligned, the safety reversing sensors will detect an obstruction in the path of the infrared beam. If an obstruction breaks the infrared beam while the door is closing, the door will stop and reverse to full open position. If the door is fully open, and the safety reversing sensors are not installed, or are misaligned, the door will not close from a remote control. However, you can close the door if you hold the button on the door control or keyless entry until the door is fully closed. The safety reversing sensors do not affect the opening cycle. For more information see page 9.

#### LIGHTS

The garage door opener light will turn on when the opener is initially plugged in; power is restored after interruption, or when the garage door opener is activated. The light will turn off automatically after 4-1/2 minutes.

### USING YOUR GARAGE DOOR OPENER

The garage door opener can be activated through a wall-mounted door control, remote control, wireless keyless entry or myQ accessory. When the door is closed and the garage door opener is activated the door will open. If the door makes contact with an obstruction or is interrupted while opening the door will stop, opener beeps and lights blink 5 times. When the door is in any position other than closed and the garage door opener is activated, the door will close. If the garage door opener makes contact with an obstruction while closing, the door will reverse. However, you can close the door if you hold the button on the door control or wireless keypad until the door is fully closed. The safety reversing sensors do not affect the opening cycle. The safety reversing sensor must be connected and aligned correctly before the garage door opener will move in the down direction.

#### BATTERY BACKUP

The battery backup system allows access in and out of your garage, even when the power is out. When the garage door opener is operating on battery power, the garage door opener will run slower, the light will not function, the Battery Status LED will glow solid orange, and a beep will sound approximately every 2 seconds.

### MEMORY CAPACITY

SECURITY+ 2.0 ACCESSORIES	MEMORY CAPACITY
Remote Controls	Up to 40
Door Controls	Up to 2 Smart Control Panels or 4 of any other Security+ 2.0 door controls
Keyless Entries	Up to 4
myQ Accessories	Up to 16

# Operation

## Connect With Your Smartphone

This WiFi® Garage Door Opener is compatible with up to 16 myQ® enabled accessories that can be controlled using the myQ® app.

### You will need:

- Wi-Fi enabled smartphone, tablet or laptop
- Broadband Internet Connection
- Wi-Fi signal in the garage (**2.4 Ghz, 802.11b/g/n required**), see page 3
- Password for your home network (router's main account, not guest network)
- myQ serial number located on the garage door opener

### SYNCHRONIZE THE DOOR CONTROL

To synchronize the door control to the garage door opener, press the push bar until the garage door opener activates (it may take up to 3 presses). The garage door opener must run through a complete cycle before it will activate Wi-Fi programming.

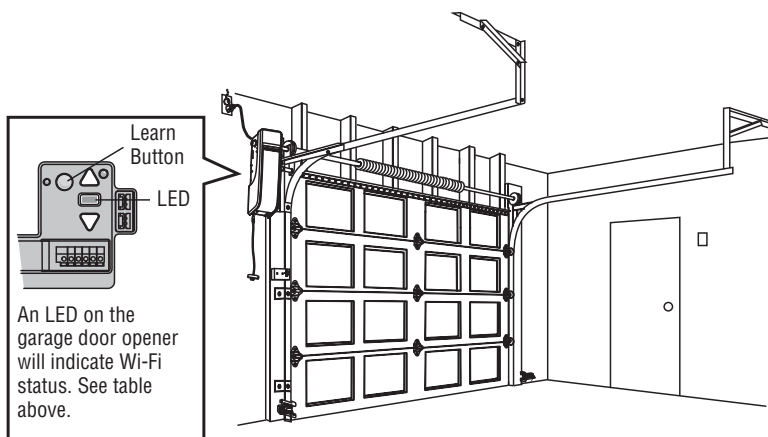
### DOWNLOAD THE myQ APP TO SET UP AN ACCOUNT AND CONNECT

Open and close your door, get alerts and set schedules from anywhere. Connected smart garage door openers also receive software updates to ensure the opener has the latest operational features.

1. Download the myQ App.
2. Set up an account and connect.

**For more information on connecting your garage door opener, visit [support.chamberlaingroup.com](http://support.chamberlaingroup.com).**

Wi-Fi Status	
LED	Definition
Blue	<b>Off</b> - Wi-Fi is not turned on. <b>Blinking</b> - Garage door opener is in Wi-Fi learn mode. <b>Solid</b> - Mobile device connected to the garage door opener.
Blue and Green	<b>Blinking</b> - Attempting to connect to router.
Green	<b>Blinking</b> - Attempting to connect to the Internet server. <b>Solid</b> - Wi-Fi has been set up and garage door opener is connected to the Internet.



### NOTES:

*The myQ Smartphone Control WILL NOT work if the garage door opener is operating on battery power.*

To erase the Wi-Fi settings, see page 17.

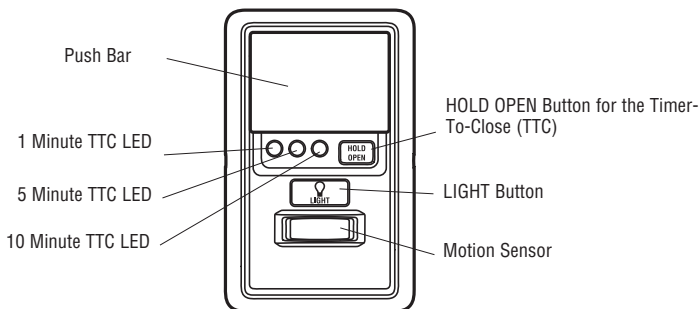
**If you need help adding devices to your myQ account, or to learn more go to [support.chamberlaingroup.com](http://support.chamberlaingroup.com).**

# Operation

## Using the Door Control

### SYNCHRONIZE THE DOOR CONTROL

To synchronize the door control to the garage door opener, press the push bar until the garage door opener activates (it may take up to 3 presses). Test the door control by pressing the push bar, each press of the push bar will activate the garage door opener.



### FEATURE

### HOW TO:

#### PUSH BAR

Press the push bar to open/close the door.

#### LOCK

Designed to prevent operation of the door from hand-held remote controls. However, the door will open and close from the Door Control, keypad, and myQ® App.

**Activate:** Press and hold the LOCK button for 2 seconds. The command LED will flash as long as the lock feature is activated and your handheld remote control will not operate your door at this time.

**Deactivate:** Press and hold the LOCK button again for 2 seconds. The command LED will stop flashing and normal operation will resume.

#### MOTION SENSOR

This feature will automatically turn on the garage door opener lights when motion is sensed. The lights will come on for 4-1/2 minutes, then shut off.

#### Activate/Deactivate:

Slide the motion sensor switch ON or OFF.

#### TIMER-TO-CLOSE (TTC)

The TTC feature automatically closes the door after a specified time period (1, 5, or 10 minutes). Once the TTC has been set and the door is open, the LED for the selected close interval will blink and begin to count down to close the door. The control panel will beep and the garage door opener lights will flash before closing the door.

**Activate:** Press and hold the ON button until one of the TTC LEDs light up. Then press the ON button again to cycle through the time interval options (the corresponding TTC LED will light for each time interval). The garage door opener light bulbs will blink as confirmation.

**Deactivate:** Press and hold the OFF button until all TTC LEDs turn off and a beep is heard from the control panel.

The TTC feature will deactivate if the garage door encounters an obstruction twice; or the safety reversing sensors are incorrectly installed. The garage door will reverse open and WILL NOT close until the obstructions are clear or the safety reversing sensors are correctly installed. When the obstruction has been cleared or the safety reversing sensors have been aligned, the door will close when the garage door opener is activated.

**To suspend the TTC:** To suspend the TTC and temporarily hold the door open, press and release the HOLD OPEN button (the HOLD OPEN LED will turn solid). The TTC will remain suspended until the HOLD OPEN button is pressed again or the garage door opener is activated from another device (door control, remote control, keypad, etc.).

**NOTE:** The light must be programmed to the operator for the Timer To Close or myQ® App to be able to close the door unattended.

# Operation

## Using the Door Control (continued)

### FEATURE

#### LIGHTS:

Press the LIGHT button to turn the garage door opener lights on or off. When the lights are turned on they will stay on until the LIGHT button is pressed again, or until the garage door opener is activated. Once the garage door opener is activated the lights will turn off after the specified period of time (the factory setting is 4-1/2 minutes). The LIGHT button will not control the lights when the door is in motion.

### HOW TO:

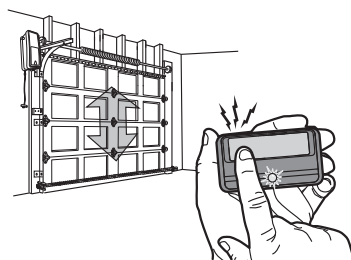
#### TO CHANGE THE AMOUNT OF TIME THE REMOTE LIGHTS WILL STAY ON:

Press and hold the LOCK button until the garage door opener lights flash. The time interval is indicated by the number of flashes.

NUMBER OF TIMES GARAGE DOOR OPENER LIGHTS FLASH	TIME THE GARAGE DOOR OPENER LIGHT STAYS ON
1	1 ½ Minutes
2	2 ½ Minutes
3	3 ½ Minutes
4	4 ½ Minutes

## Using the Remote Control

Press and hold the button down until the door or gate starts to move. The remote control will operate from up to 3 car lengths away on typical installations. Installations and conditions vary, contact an installing dealer for more information.



**NOTICE:** This device complies with Part 15 of the FCC rules and Industry Canada's license-exempt RSSs. Operation is subject to the following two conditions: (1) this device may not cause harmful interference, and (2) this device must accept any interference received, including interference that may cause undesired operation.

Any changes or modifications not expressly approved by the party responsible for compliance could void the user's authority to operate the equipment.

This device must be installed to ensure a minimum 20 cm (8 in.) distance is maintained between users/bystanders and device.

This device has been tested and found to comply with the limits for a Class B digital device, pursuant to part 15 of the FCC rules and Industry Canada ICES standard. These limits are designed to provide reasonable protection against harmful interference in a residential installation. This equipment generates, uses and can radiate radio frequency energy and, if not installed and used in accordance with the instructions, may cause harmful interference to radio communications. However, there is no guarantee that interference will not occur in a particular installation. If this equipment does cause harmful interference to radio or television reception, which can be determined by turning the equipment off and on, the user is encouraged to try to correct the interference by one or more of the following measures:

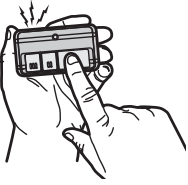
- Reorient or relocate the receiving antenna.
- Increase the separation between the equipment and receiver.
- Connect the equipment into an outlet on a circuit different from that to which the receiver is connected.
- Consult the dealer or an experienced radio/TV technician for help.

# Programming

Your hand-held remote control (model 950ESTD) has already been programmed to the door control (Motion-Detecting Control Panel) at the factory. Below are instructions for programming **additional** remote controls, keypads, and myQ® enabled accessories to the door control.

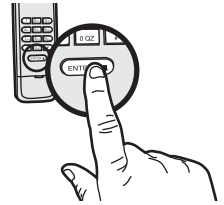
## REMOTE CONTROL

1. Press the control panel LEARN button twice, and the red learn LED will turn on.
2. Press the button on the remote control that you wish to operate your garage door.
3. The garage door opener lights will flash (or two clicks will be heard) when the code has been programmed.

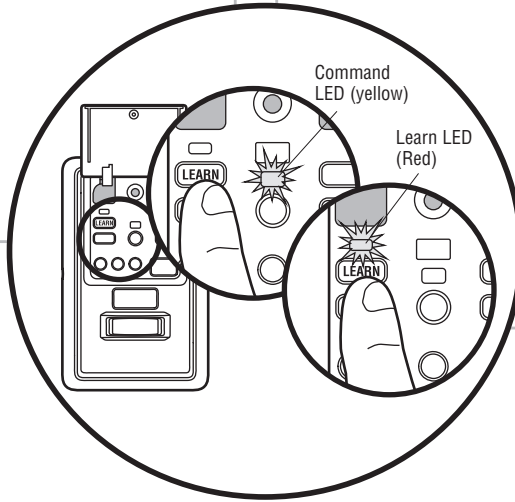


## MODEL 940ESTD KEYPAD

1. Press the control panel LEARN button twice, the red learn LED will turn on.
2. Enter a 4-digit personal identification number (PIN) of your choice on the keypad. Then press the ENTER button.
3. The garage door opener lights will flash (or two clicks will be heard) when the code has been programmed.



? ? ? ?  
PIN





# Programming

## Program the Smart LED Light

Your garage door opener remote light has already been programmed at the factory to operate with your opener. Any additional or replacement remote lights will need to be programmed.

### PROGRAM A DOOR OPENER TO THE SMART LED LIGHT

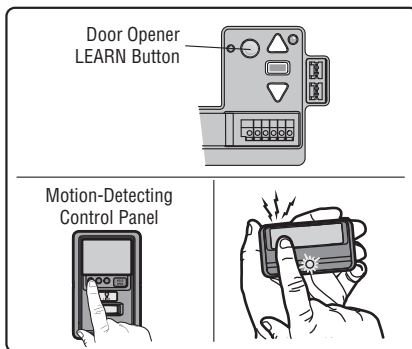
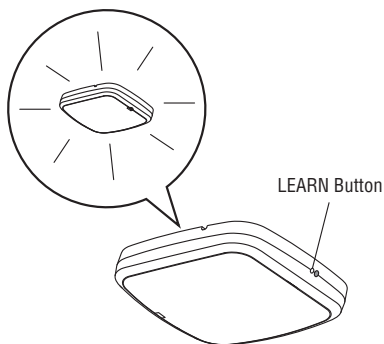
1. Press the LEARN button on the light until the green LED comes ON.
2. Press the LEARN button on the door opener. **OR** On the Smart Control Panel® go to Menu > Program > myQ Accessory.
3. The code has been programmed when the remote light blinks once.

### ADD THE SMART LED LIGHT TO myQ ACCOUNT

1. Press the LEARN button on the light until the green LED comes ON.
2. Login to the myQ app and add the Smart LED Light.

### TO ERASE ALL PROGRAMMING FROM THE SMART LED LIGHT

1. Press and hold the LEARN button until the LED turns off (6-10 seconds). All programming is now erased.



## To Erase the Memory

### ERASE ALL REMOTE CONTROLS AND KEYLESS ENTRIES

1. Press and hold the LEARN button on garage door opener until the learn LED goes out (approximately 6 seconds). All remote control and keyless entry codes are now erased. Reprogram any accessory you wish to use.

### ERASE ALL DEVICES (Including myQ enabled accessories)

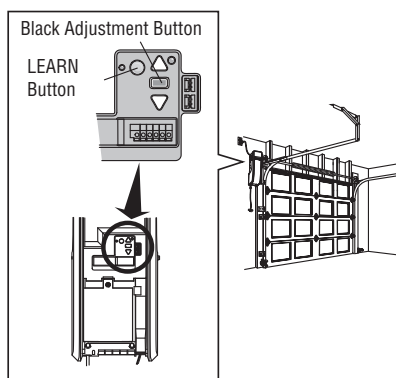
1. Press and hold the LEARN button on garage door opener until the learn LED goes out (approximately 6 seconds).
2. Immediately press and hold the LEARN button again until the learn LED goes out. All codes are now erased. Reprogram any accessory you wish to use.

### ERASE THE WI-FI NETWORK FROM THE GARAGE DOOR OPENER

1. Press and hold the black adjustment button on the garage door opener until 3 beeps are heard (Approximately 6 seconds).

### ERASE A myQ ACCOUNT

Go to [support.chamberlaingroup.com](http://support.chamberlaingroup.com) to delete your myQ account.



# Programming

## HomeLink®

**In the rare case the HomeLink system does not program with the Security+ 2.0 Garage door opener, install a repeater kit. Refer to HomeLink instructions below.**

HomeLink is the in-vehicle system. The image used is for reference only and your product may look different.

### WHEN TO INSTALL A HOMELINK REPEATER KIT

All 2006 and Older vehicles – A repeater kit is required and must be purchased by the homeowner.

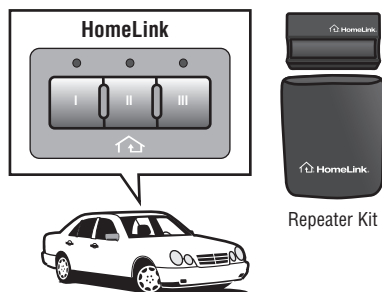
All 2007 and Newer vehicles – Program the HomeLink according to the vehicle instructions. If after ONE attempt to program the HomeLink to the garage door opener and you are unsuccessful, install a repeater.

### HOW TO ORDER

Order the HomeLink repeater kit from an installer or call 1-800-355-3515. To program the HomeLink repeater kit, refer to the instructions provided in the kit or visit: <http://www.homelink.com/program>.

### ADJUSTMENT QUICK FACTS

- Only one repeater kit is required per home.
- Use different HomeLink buttons in vehicle if programming multiple cars, button 1 first car, button 2 second car... etc.
- HomeLink remote is NOT a garage door opener.
- If you are using the HomeLink repeater with a garage door opener that has a battery backup system, ensure your original garage door opener remote control is programmed to the garage door opener and place it in your glove box for use in the event of a power outage.
- The remote included in this repeater kit MUST be kept for future programming (new vehicle, new garage door opener etc).



# Maintenance

## Care of Your Garage Door Opener

### MAINTENANCE SCHEDULE

#### EVERY MONTH

- Manually operate door. If it is unbalanced or binding, call a trained door systems technician.
- Check to be sure door opens and closes fully. Adjust limits if necessary (see Adjustment Step 1).
- Repeat the safety reversal test. Make any necessary adjustments (see Adjustment Step 2).

#### EVERY YEAR

- Oil door rollers, bearings and hinges. The garage door opener does not require additional lubrication. Do not grease the door tracks.

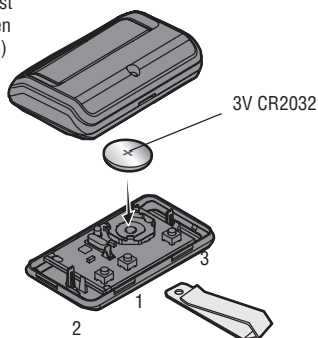
#### Smart LED Light

- Unplug the light before cleaning.
- Use a lightly dampened cloth for cleaning.
- DO NOT use liquid cleaners on the light lens.

### THE REMOTE CONTROL BATTERY

The LED(s) on your remote control will stop blinking when the battery is low and needs to be replaced. To replace battery, open the case as shown. Insert battery positive side up (+). Replace the battery with only 3V CR2032 coin cell batteries. Dispose of old battery properly.

Pry open the case first in the middle (1), then at each side (2 and 3) with the visor clip.



### WARNING

To prevent possible **SERIOUS INJURY** or **DEATH**:

- NEVER allow small children near batteries.
- If battery is swallowed, immediately notify doctor.

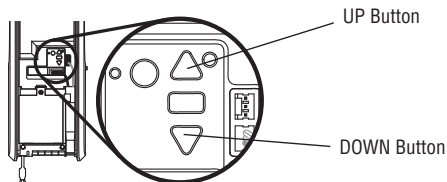
To reduce risk of fire, explosion or chemical burn:

- Replace **ONLY** with 3V CR2032 coin batteries.
- **DO NOT** recharge, disassemble, heat above 212° F (100° C) or incinerate.

# Troubleshooting

## Diagnostic Chart

Your garage door opener is programmed with self-diagnostic capabilities. The UP and DOWN arrows on the garage door opener blink the diagnostic codes.



DIAGNOSTIC CODE		SYMPTOM	SOLUTION
Up Arrow Blink(s)	Down Arrow Blink(s)		
1	1	The garage door opener will not close.	Safety sensors are not installed, connected or wires may be cut. Inspect sensor wires for a disconnected or cut wire.
1	2	The garage door opener will not close.	There is a short or reversed wire for the safety sensors. Inspect safety sensor wire at all staple points and connection points and replace wire or correct as needed.
1	3	The door control will not function.	The wires for the door control are shorted or the door control is faulty. Inspect door control wires at all staple points and connection points and replace wire or correct as needed.
1	4	The garage door opener will not close, and the lights blink.	Safety sensors are misaligned or were momentarily obstructed. Realign both sensors to ensure both LEDs are steady and not flickering. Make sure nothing is hanging or mounted on the door that would interrupt the sensors path while closing.
1	5	Door moves 6-8" (15-20 cm) stops or reverses.	Manually open and close the door. Check for binding or obstructions, such as a broken spring or door lock, correct as needed. Check wiring connections at travel module and at the logic board. Replace travel module if necessary.
		No movement, only a single click.	Manually open and close the door. Check for binding or obstructions, such as a broken spring or door lock, correct as needed. Replace logic board if necessary.
		Opener hums for 1-2 seconds no movement.	Manually open and close the door. Check for binding or obstructions, such as a broken spring or door lock, correct as needed. Replace motor if necessary.
1	6	Door coast after it has come to a complete stop.	Program travel to coasting position or have door balanced by a trained technician.
2	1-5	No movement or sound.	Replace logic board.
3	1	The garage door opener moves slightly, then stops	Activate the garage door opener again. If problem persists, replace logic board.
3	3	The battery status LED is constantly blinking green.	Battery backup charging circuit error, replace logic board.
3	5	The garage door will not close. Door reverses during close travel direction only.	<ul style="list-style-type: none"> <li>• Check that the CTM Learn is appropriate to the installation.</li> <li>• Check for possible door obstructions and remove.</li> <li>• Replace defective CTMs with good CTMs to clear the error code (see optional CTM accessory).</li> </ul>
4	1-4	Door is moving, stops or reverses. Opener beeps and lights blink.	Manually open and close the door. Check for binding or obstructions, such as a broken spring or door lock, correct as needed. If the door is binding or sticking contact a trained door systems technician. If door is not binding or sticking attempt to reprogram travel.
4	5	Opener runs approximately 6-8" (15-20 cm), stops and reverses.	Communication error to travel module. Check travel module connections, replace module if necessary.
4	6	The garage door opener will not close, and the lights blink.	Safety sensors are misaligned or were momentarily obstructed. Realign both sensors to ensure both LEDs are steady and not flickering. Make sure nothing is hanging or mounted on the door that would interrupt the sensor's path while closing.
5	5	The door will not close when using Timer-to-Close or myQ Smartphone Control	Smart LED Light must be installed to use TTC or myQ to control the door. Plug in the Smart LED Light and make sure it is programmed to the garage door opener.

# Troubleshooting

## Additional Troubleshooting

### **The garage door opener doesn't operate from either the door control or the remote control:**

- Does the garage door opener have electric power? Plug a lamp into the outlet. If it doesn't light, check the fuse box or the circuit breaker. (Some outlets are controlled by a wall switch.)
- Have you disabled all door locks? Review installation instruction warnings on page 8.
- Are the wiring connections correct? Review Installation Step 5.
- Is there a build-up of ice or snow under the door? The door may be frozen to the ground. Remove any restriction.
- The garage door spring may be broken. Have it replaced (see page 3 for reference).

### **The door opener operates from the single button control station, but not from a remote control:**

- Reprogram the remote control and replace the battery if necessary. Repeat with all remote controls.

### **The door opens and closes by itself:**

- Be sure that all remote control push buttons are off.
- Remove the bell wire from the single button control station terminals and operate from the remote only. If this solves the problem, the single button control station is faulty, or there is an intermittent short in the wire. Replace the control station.
- Erase the memory and reprogram all remote controls (refer to the instructions provided with the remote control or visit [support.chamberlaingroup.com](http://support.chamberlaingroup.com)).

### **My remote control will not activate the garage door:**

- Verify the lock feature is not activated on the door control.
- Reprogram the remote control.
- If the remote control will still not activate the door check the diagnostic codes to ensure the garage door opener is working properly.

### **The remote control has short range:**

- Change the location of the remote control in your car.
- Some installations may have shorter range due to a metal door, foil backed insulation, or metal garage siding.

### **The door stops or reverses to open limit and the opener beeps and lights flash 5 times:**

- Is something obstructing the door? Is it out of balance, or are the springs broken? Remove the obstruction or call a trained door system technician to repair the door.

### **The door doesn't open completely:**

- Check power door lock.

### **The door opens but won't close:**

- The safety reversing sensor must be connected and aligned correctly before the door opener will move in the down direction. If you are able to close the door using constant pressure, verify the safety reversing sensors are properly installed, aligned and free of any obstructions (see page 13).

### **The door reverses for no apparent reason:**

- Clear any ice or snow from the garage floor area where the door closes.
- Review Adjustment Step 1.

Repeat safety reverse test after adjustments.

### **My door will not close:**

- The safety reversing sensor must be connected and aligned correctly before the garage door opener will move in the down direction.
  - Verify the safety reversing sensors are properly installed, aligned and free of any obstructions.

### **The garage door opener strains to operate door:**

- The door may be out of balance or the springs may be broken. Close the door and use the emergency release handle to disconnect the door. Open and close the door manually. A properly balanced door will stay in any point of travel while being supported entirely by its springs. If it does not, disconnect the garage door opener and call a trained door systems technician.

### **The garage door opener motor hums briefly, then won't work:**

- The garage door springs may be broken. See above.
- If the problem occurs on the first operation of the garage door opener, door may be locked. Disable the power door lock.

### **The garage door opener won't operate due to power failure:**

- Manually open the power door lock.

# Troubleshooting

## Additional Troubleshooting (Continued)

- Use the emergency release handle to disconnect the door. The door can be opened and closed manually. When power is restored, pull manual release a second time.
- When in Battery Backup mode, the opener should be able to operate up to 20 times.
- Disable any door locks. Use the emergency release handle to disconnect the door. The door can be opened and closed manually. When power is restored, pull manual release a second time.
- When in battery backup mode, battery power will last for 30 hours or up to 20 cycles over a 24 hour period.

### Door loses limits:

- Collar not tightened securely. Tighten collar and reprogram limits (see Adjustment Step 3).

### The garage door opener moves when the door is in operation:

- Some minor movement is normal for this product. If it is excessive the collar will wear prematurely.
- Check to make sure the torsion bar is not moving left/right excessively.
- Check to make sure the torsion bar is not visibly moving up and down as it rotates.
- Check that the opener is mounted at a right angle to the jackshaft. If not, move the position of the mounting bracket.

### Automatic door lock connector will not fit the door opener plug:

Older model 24V door locks are incompatible. Use automatic door lock model 841LM, see Accessories page.

### Automatic garage door lock does not activate when garage door opens or closes:

In battery backup mode, the automatic garage door lock will unlock when the garage door is opened, and will remain disabled until power is restored.

### The door opener is beeping:

- Indicates unattended closure. The opener has been activated by the myQ App or the Garage and Gate Monitor.
- A solid orange LED with beep, sounding approximately every 2 seconds, indicates the door opener is operating on battery power.
- A blinking orange LED with beep, sounding every 30 seconds, indicates the battery is low.
- A solid red LED with beep, sounding every 30 seconds, indicates the 12V battery will no longer hold a charge and needs to be replaced.

### The garage door is beeping and the red LED is blinking:

The battery charge is low or the battery is dead.

- Replace the battery.

### myQ Smartphone Control, wireless myQ devices, and Timer-To-Close will not work:

- When in Battery Backup mode, myQ Smartphone Control, wireless myQ devices and Timer-To-Close will be disabled.
- Smart LED Light must be installed to enable use of Timer-to-Close or myQ Smartphone Control of the door. Plug in the Smart LED Light and make sure it is programmed to the garage door opener. It may take up to 5 minutes to enable Timer-to-Close and myQ Smartphone Control.

### Door travels faster or slower than expected:

- Verify your drum setting is appropriate via the steps shown on page 7 in the manual.

### Door speed varies over travel:

- Verify your drum setting is appropriate via the steps shown on page 7 in the manual.

### Cable unspooling upon obstruction near top limit

- If cable unspools, please contact a Professional Door Dealer for service.

NOTICE: This device complies with part 15 of the FCC rules and Innovation, Science and Economic Development Canada license-exempt RSSs. Operation is subject to the following two conditions: (1) this device may not cause harmful interference, and (2) this device must accept any interference received, including interference that may cause undesired operation.

Any changes or modifications not expressly approved by the party responsible for compliance could void the user's authority to operate the equipment.

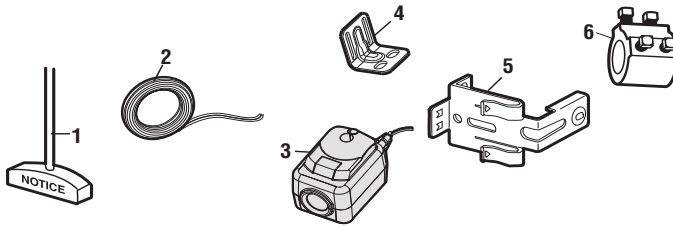
This device must be installed to ensure a minimum 20 cm (8 in.) distance is maintained between users/bystanders and device.

This device has been tested and found to comply with the limits for a Class B digital device, pursuant to part 15 of the FCC rules and Industry Canada ICES standard. These limits are designed to provide reasonable protection against harmful interference in a residential installation. This equipment generates, uses and can radiate radio frequency energy and, if not installed and used in accordance with the instructions, may cause harmful interference to radio communications. However, there is no guarantee that interference will not occur in a particular installation. If this equipment does cause harmful interference to radio or television reception, which can be determined by turning the equipment off and on, the user is encouraged to try to correct the interference by one or more of the following measures:

- Reorient or relocate the receiving antenna.
- Increase the separation between the equipment and receiver.
- Connect the equipment into an outlet on a circuit different from that to which the receiver is connected.
- Consult the dealer or an experienced radio/TV technician for help.

# Repair Parts

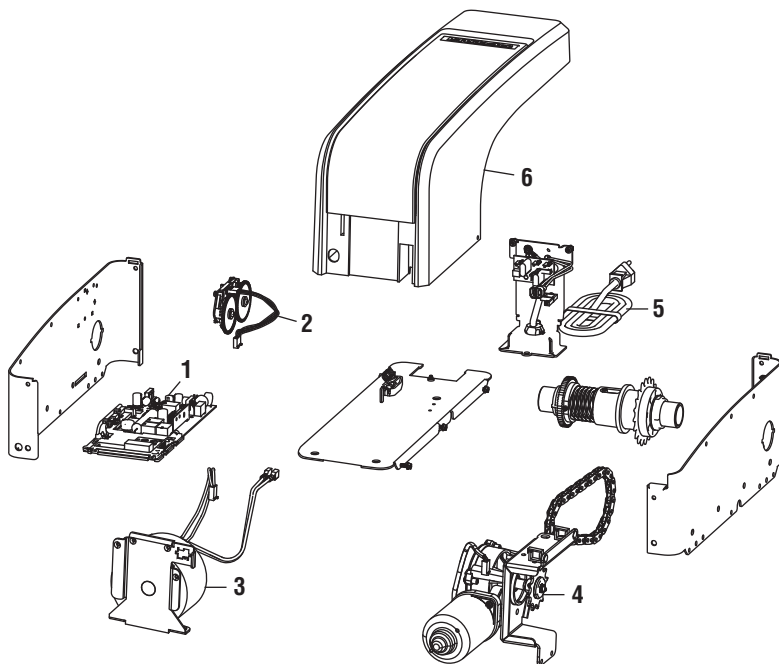
## Installation Parts



KEY NO.	PART NO.	DESCRIPTION	KEY NO.	PART NO.	DESCRIPTION
1	041A4582	Emergency release rope and handle assembly	4	041C0902	Mounting bracket
2	041B4494-1	2-Conductor bell wire - white and white/red	5	041-0155-000	Safety reversing sensor brackets (2)
3	041-0136	Safety Reversing Sensor kit (receiving and sending sensors) with 2-conductor bell wire attached	6	041D8615	Collar with set screws

# Repair Parts

## Garage Door Opener Assembly Parts



KEY NO.	PART NO.	DESCRIPTION	KEY NO.	PART NO.	DESCRIPTION
1	041DJ003MC	Logic board	5	041D0190	Power cord
2	041B8861	Travel module with wire harness	6	041-0407-000	Cover
3	041C0296	Transformer			<b>NOT SHOWN</b>
4	041D1624-2	Motor		041-0408-000	Battery door and logic board door

## Contact Information

### STOP!

This garage door opener WILL NOT work until the safety reversing sensors are properly installed and aligned.

Address repair parts order to:  
**The Chamberlain Group, Inc.**  
**6020 S. Country Club Rd.**  
**Tucson, AZ 85706**

For installation and service information,  
 visit us online at:  
**support.chamberlaingroup.com**

*Before calling, please have the model number of the garage door opener. If you are calling about a troubleshooting issue, it is recommended that you have access to your garage door opener while calling. If you are ordering a repair part please have the following information: part number, part name, and model number.*



# Accessories

Explore accessories and replacement parts at [www.Chamberlain.com](http://www.Chamberlain.com).

## G940EV-P2

### Wireless Keypad:

For use outside of the home to enable access to the garage using a 4-digit PIN. Works with ALL Chamberlain openers from 1993-present. myQ® compatible.



## G953EV

### 3-Button Remote Control:

Includes visor clip.



## G956EV

### Keychain Remote Control

Works with ALL Chamberlain openers from 1993-present. myQ® compatible. With key ring.



## 041A5281-1

### Extension Brackets:

(Optional) For safety reversing sensor installation onto the wall or floor.



## PROVIDED ACCESSORIES

## G950ESTD

### Remote Control:

Includes visor clip.



## 041A7327-1

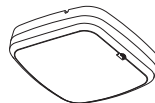
### Motion-Detecting Control Panel



## MYQLED1

### Smart LED Light

Enables homeowner to turn on a work light from their car with their garage door opener remote or from anywhere in their home with an additional Chamberlain® remote.



# Warranty

## CHAMBERLAIN LIMITED WARRANTY

Chamberlain Group ("Seller") warrants to the first retail purchaser of this product, for the residence in which this product is originally installed, that it is free from defects in materials and/or workmanship for a specific period of time as defined below (the "Warranty Period"). The warranty period commences from the date of purchase.

WARRANTY PERIOD			
Parts	Motor	Accessories	Battery Backup
5 years	Lifetime	1 year	1 year

The proper operation of this product is dependent on your compliance with the instructions regarding installation, operation, and maintenance and testing. Failure to comply strictly with those instructions will void this limited warranty in its entirety.

If, during the limited warranty period, this product appears to contain a defect covered by this limited warranty, call 1-800-528-9131, toll free, before dismantling this product. You will be advised of disassembly and shipping instructions when you call. Then send the product or component, pre-paid and insured, as directed to our service center for warranty repair. Please include a brief description of the problem and a dated proof-of-purchase receipt with any product returned for warranty repair. Products returned to Seller for warranty repair, which upon receipt by Seller are confirmed to be defective and covered by this limited warranty, will be repaired or replaced (at Seller's sole option) at no cost to you and returned pre-paid. Defective parts will be repaired or replaced with new or factory rebuilt parts at Seller's sole option. [You are responsible for any costs incurred in removing and/or reinstalling the product or any component.]

**ALL IMPLIED WARRANTIES FOR THE PRODUCT, INCLUDING BUT NOT LIMITED TO ANY IMPLIED WARRANTIES OF MERCHANTABILITY AND FITNESS FOR A PARTICULAR PURPOSE, ARE LIMITED IN DURATION TO THE APPLICABLE LIMITED WARRANTY PERIOD SET FORTH ABOVE FOR THE RELATED COMPONENT(S), AND NO IMPLIED WARRANTIES WILL EXIST OR APPLY AFTER SUCH PERIOD. Some States and Provinces do not allow limitations on how long an implied warranty lasts, so the above limitation may not apply to you. THIS LIMITED WARRANTY DOES NOT COVER NON-DEFECT DAMAGE, DAMAGE CAUSED BY IMPROPER INSTALLATION, OPERATION OR CARE (INCLUDING, BUT NOT LIMITED TO ABUSE, MISUSE, FAILURE TO PROVIDE REASONABLE AND NECESSARY MAINTENANCE, UNAUTHORIZED REPAIRS OR ANY ALTERATIONS TO THIS PRODUCT), LABOR CHARGES FOR REINSTALLING A REPAIRED OR REPLACED UNIT, REPLACEMENT OF CONSUMABLE ITEMS (E.G., BATTERIES IN REMOTE CONTROL TRANSMITTERS AND LIGHT BULBS), OR UNITS INSTALLED FOR NON-RESIDENTIAL USE. THIS LIMITED WARRANTY DOES NOT COVER ANY PROBLEMS WITH, OR RELATING TO, THE GARAGE DOOR OR GARAGE DOOR HARDWARE, INCLUDING BUT NOT LIMITED TO THE DOOR SPRINGS, DOOR ROLLERS, DOOR ALIGNMENT OR HINGES. THIS LIMITED WARRANTY ALSO DOES NOT COVER ANY PROBLEMS CAUSED BY INTERFERENCE. UNDER NO CIRCUMSTANCES SHALL SELLER BE LIABLE FOR CONSEQUENTIAL, INCIDENTAL OR SPECIAL DAMAGES ARISING IN CONNECTION WITH USE, OR INABILITY TO USE, THIS PRODUCT. IN NO EVENT SHALL SELLER'S LIABILITY FOR BREACH OF WARRANTY, BREACH OF CONTRACT, NEGLIGENCE OR STRICT LIABILITY EXCEED THE COST OF THE PRODUCT COVERED HEREBY. NO PERSON IS AUTHORIZED TO ASSUME FOR US ANY OTHER LIABILITY IN CONNECTION WITH THE SALE OF THIS PRODUCT.**

Some states and provinces do not allow the exclusion or limitation of consequential, incidental or special damages, so the above limitation or exclusion may not apply to you. This limited warranty gives you specific legal rights, and you may also have other rights, which vary from state to state and province to province.

# Automatic Garage Door Opener Safety & Maintenance Guide

## Garage Door Opener Safety – An Automatic Decision

A garage door is the largest moving object in the home. An improperly adjusted garage door and opener can exert deadly force when the door closes – which could lead to entrapment of children or adults and subsequent injury or death.

Proper installation, operation, maintenance, and testing of the garage door and automatic opener are necessary to provide a safe, trouble-free system.

Careless operation or allowing children to play with or use garage door opener controls are also dangerous situations that can lead to tragic results. A few simple precautions can protect your family and friends from potential harm.

Please review the safety and maintenance tips in this brochure carefully and keep it for reference. Check the operation of your garage door and opener to ensure they function in a safe and trouble-free manner.

Be sure to read all Important Safety Information found in your garage door opener's manual as it provides more details and safety considerations than can be supplied with this brochure.

## Garage Door Openers are Not Toys

Discuss garage door and opener safety with your children. Explain the danger of being trapped under the door.



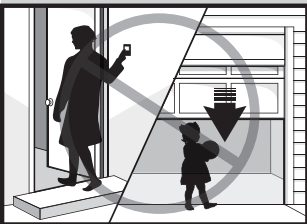
**Stay away from a moving door.**



**Keep transmitters and remote controls out of reach of children.** Do not let children play with or use transmitters or other remote control devices.



**The wall-mounted push button should be out of reach of children,** at least 5 feet from the nearest standing surface and away from all moving parts. Mount and use the button where you can clearly see the closing garage door.



**Keep the door in sight until it completely closes** when using the wall-mounted push button or transmitter.

# Routine Maintenance Can Prevent Tragedies

Make monthly inspection and testing of your garage door and opener system a part of your regular routine. Review your owner's manual for both the door and door opener. If you don't have the owner's manuals, contact the manufacturer(s) and request a copy for your specific model(s). Look for the opener model number on the back of the power unit.



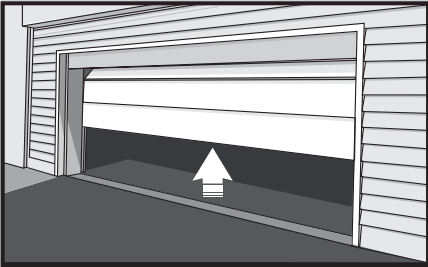
**WARNING – Springs are under high tension. Only qualified individuals should adjust them.**

## Visually check the door and installation:



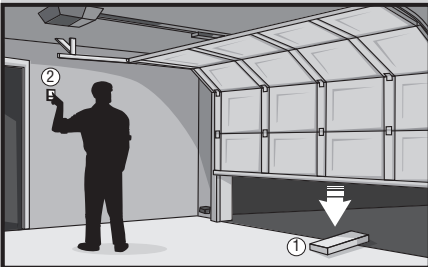
- Starting with the door in the closed position, use the manual disconnect on the opener to disconnect the door.
- Look for signs of wear or damage on hinges, rollers, springs, and door panels.
- These parts may require periodic lubrication. Check the owner's manual for suggested maintenance.
- If any signs of damage are evident, contact a trained door systems technician for assistance.
- Verify the photoeye height is no higher than 6" from the garage floor.

## Test the door for proper operation:



- Open and close the door manually using handles or suitable gripping points.
- The door should move freely and without difficulty.
- **The door should balance and stay partially open 3–4 feet above the floor.**
- If you detect any signs of improper operation, contact a trained door systems technician for assistance.

## Test the opener safety features:

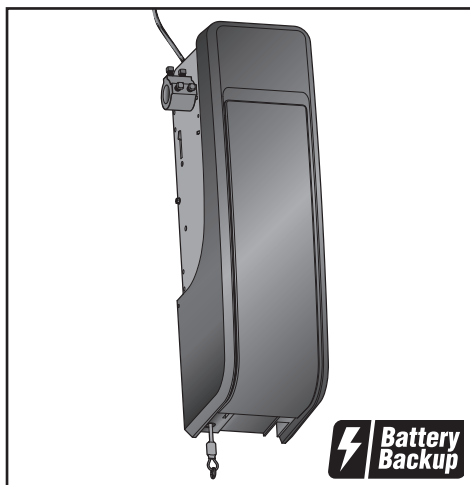


- Reconnect the opener to the door using the manual disconnect and open the door.
- Place a 2x4 board flat in the path of the door (1) and try to close it (2). The door should stop when it comes in contact with the 2x4 and then reverse direction.
- Block the photoelectric sensor by waving an object in front of the sensor and attempt to close the door. The door should not close unless the wall-mounted push button is manually held during operation.
- If the opener does not perform as described, contact a trained door systems technician for assistance.

# Ouvre-porte de garage à support mural Wi-Fi® Modèle RJO101

Pour usage résidentiel

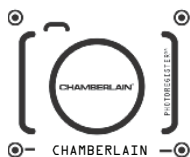
Installation sur portes sectionnelles avec assemblages de torsion uniquement



Ce produit est destiné à être installé uniquement par des techniciens qualifiés en matière de portes de garage. Ce produit peut nécessiter un ajustement des ressorts de la porte et/ou de la configuration des rails. Ce produit n'est pas destiné à être utilisé sur des rails à faible hauteur ou des portes de garage utilisant des ressorts d'extension.

- Veuillez lire attentivement ce manuel et les documents relatifs à la sécurité ci-joints!
- La porte NE SE FERMERA PAS tant que le Protector System® n'est pas connecté et aligné correctement.
- Des vérifications périodiques de l'ouvre-porte de garage sont nécessaires pour assurer un fonctionnement sûr.
- Le numéro de modèle se trouve sur le couvercle avant de l'opérateur.
- Cet ouvre-porte de garage est **UNIQUEMENT** compatible avec les accessoires myQ® et Security+ 2.0®.
- Fixez les étiquettes d'avertissement à l'endroit indiqué sur l'étiquette.

Enregistrez votre ouvre-porte de garage pour recevoir les mises à jour et les offres de Chamberlain



1. Prenez une photo de l'icône de l'appareil photo avec les points (⊙).
2. Envoyez-la par SMS à 71403 (É.-U.) ou visitez [www.chamberlain.com](http://www.chamberlain.com) photo (global)



Surveillez et contrôlez votre garage de n'importe où et recevez des alertes en temps réel et en toute tranquillité d'esprit.

Des instructions 3D interactives étape par étape faciles sont fournies ici :



**BILT.** INSTRUCTIONS INTELLIGENTES

Téléchargez l'application BILT gratuite avant l'assemblage



Chamberlain  
300 Windsor Drive  
Oak Brook, IL 60523



CHAMBERLAIN

# Table des matières

<b>PRÉPARATION</b> 2	Tester le système d'inversion de sécurité...9	<b>ENTRETIEN</b> 19
Numéro de série myQ .....2	Tester le Protector System®.....9	Utilisation de votre ouvre-porte de garage .....19
Examen des symboles de sécurité et des notes d'avertissement.....2	<b>RÉGLAGE</b> 10	<b>DÉPANNAGE</b> 20
Fonctionnement sans surveillance .....2	Tester le verrouillage électrique de porte.....10	Tableau de diagnostic .....20
Planification .....3	Tester le déclenchement d'urgence.....10	Dépannage supplémentaire.....21
Avant de vous connecter avec votre téléphone intelligent.....4	<b>FONCTIONNEMENT</b> 11	<b>PIÈCES DÉTACHÉES</b> 23
Préparation de votre porte de garage.....4	Utilisation de votre ouvre-porte de garage .....12	Pièces d'installation .....23
Outils nécessaires .....5	Connectez-vous avec votre smartphone.....13	Pièces d'assemblage de l'ouvre-porte de garage .....24
Inventaire du carton .....6	Utilisation de la commande de porte.....14	<b>COORDONNÉES DE CONTACT</b> 24
<b>RÉGLAGE</b> 7	Utilisation de la télécommande .....15	<b>GARANTIE</b> 26
Identifier le profil de la porte .....7	<b>PROGRAMMATION</b> 16	<b>GUIDE DE SÉCURITÉ ET D'ENTRETIEN DE L'OUVRE-PORTE DE GARAGE AUTOMATIQUE</b> 27
Configurer le profil de la porte .....7	Programmer la lampe DEL intelligente....17	
Programmer le déplacement.....8	Pour effacer la mémoire.....17	
Configuration de la force automatique .....8	HomeLink®.....18	

## Préparation

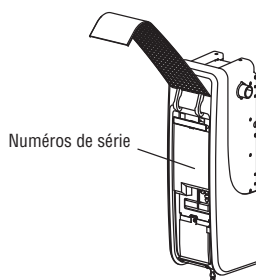
### Numéro de série myQ

Notez les renseignements suivants pour références futures :

Numéro de série myQ :

Numéro de série du produit :

Date d'achat :



### Examen des symboles de sécurité et des notes d'avertissement.

Cet ouvre-porte de garage a été conçu et testé pour offrir un service sûr à condition qu'il soit installé, utilisé, entretenu et testé en stricte conformité avec les instructions et les avertissements de ce manuel.

Lorsque vous voyez ces symboles de sécurité et notes d'avertissement aux pages suivantes, ils vous avertissent du risque de **blessures graves voire mortelles** si vous ne respectez pas les avertissements qu'ils accompagnent. Le danger peut provenir de quelque chose de mécanique ou d'un choc électrique. Lisez attentivement les avertissements.

Lorsque vous voyez ce mot d'avertissement aux pages suivantes, il vous avertit du risque que votre porte de garage et/ou l'ouvre-porte soit endommagé(e) si vous ne respectez pas les mises en garde qui l'accompagnent. Lisez-les attentivement.



**AVERTISSEMENT** : Ce produit peut vous exposer à des produits chimiques, dont le plomb, qui sont reconnus par l'État de Californie comme provoquant le cancer, des malformations congénitales ou d'autres problèmes de reproduction. Pour plus d'information, visitez [www.P65Warnings.ca.gov](http://www.P65Warnings.ca.gov).

### Fonctionnement sans surveillance

La fonction de minuterie de fermeture (TTC), l'application pour téléphone intelligent myQ et le moniteur de porte de garage et de portail myQ sont des exemples de fermeture sans surveillance et doivent être utilisés **UNIQUEMENT** avec des portes sectionnelles. Tout dispositif ou fonction permettant à la porte de se fermer sans être dans le champ de vision de cette dernière est considéré comme une fermeture sans surveillance. La fonction de minuterie de fermeture (TTC), l'application pour téléphone intelligent myQ et tout autre appareil myQ doivent être utilisés **UNIQUEMENT** avec des portes sectionnelles.

La lampe DEL intelligente doit être installée pour permettre d'utiliser la TTC ou la commande myQ par téléphone intelligent de la porte.

# Préparation

## Planification

Examinez votre région pour voir si l'une des conditions ci-dessous s'applique à votre installation. Prenez note de la taille des tambours pour vous assurer qu'ils sont corrects. En fonction de vos besoins, des matériaux supplémentaires peuvent être nécessaires.

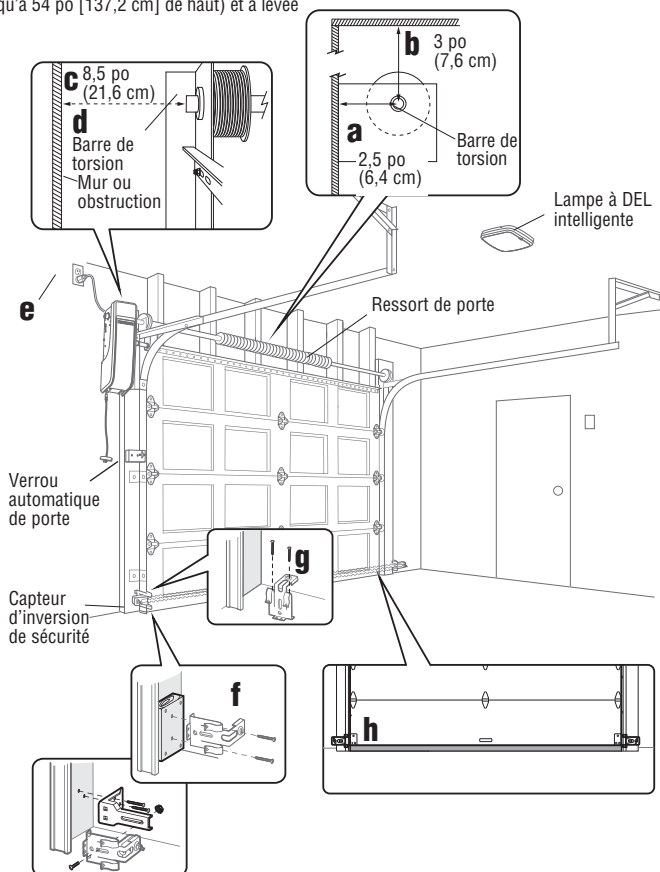
### CE TOUT OUVRE-PORTE DE GARAGE EST COMPATIBLE AVEC CE QUI SUIT :

- Portes qui utilisent une barre de torsion et des ressorts. La barre de torsion doit avoir un diamètre de 1 po (2,5 cm). NON compatible avec les tambours à enroulement inverse.
- Portes sectionnelles à levée standard utilisant des tambours de 4-6 po (10-15 cm) de diamètre.
- Tambours droits de 4-6 po (10-15 cm).
- Des tambours de 3 à 3,9 po (7,6 à 9,9 cm) peuvent être utilisés pour les portes pesant d'un poids maximum de 430 lb (195,4 kg).
- Portes sectionnelles à grande levée (jusqu'à 54 po [137,2 cm] de haut) et à levée standard jusqu'à 14 pi (4,3 m).
- Portes sectionnelles à grande levée utilisant un tambour conique de 8 po (20 cm) de diamètre.
- Portes sectionnelles à levée verticale utilisant des tambours coniques de 8 po (20 cm) de diamètre.
- Portes jusqu'à 18 pi (5,5 m) de large.

Examinez ou inspectez la zone d'installation proposée. Déterminez si l'opérateur de porte sera installé sur le côté gauche ou droit de la porte. Sélectionnez le côté qui répond aux exigences énumérées ci-dessous.

- Il doit y avoir un minimum de 2,5 po (6,4 cm) entre le mur latéral et le centre de la barre de torsion.
- Il doit y avoir un minimum de 3 po (7,6 cm) entre le plafond et le centre de la barre de torsion.
- Il doit y avoir un minimum de 8,5 po (21,6 cm) entre le mur latéral du (ou l'obstruction) et l'extrémité de la barre de torsion.
- La barre de torsion doit dépasser d'au moins 1,5 po (3,81 cm) le roulement et ne pas être endommagée. Cela peut varier en fonction des exigences de votre installation.
- Une prise électrique est nécessaire dans un rayon de 6 pi (1,83 m) de la zone d'installation. Si la prise n'existe pas, contactez un électricien qualifié.
- Selon la construction du bâtiment, des supports d'extension ou des blocs de bois peuvent être nécessaires pour installer les capteurs d'inversion de sécurité et le moniteur de tension de câble.
- Le montage au sol (autre option) des capteurs d'inversion de sécurité nécessitera du matériel non fourni.
- Vérifiez le joint au bas de la porte. Tout écart entre le sol et le bas de la porte ne doit pas dépasser 1/4 po (6 mm). Sinon, le système d'inversion de sécurité risque de ne pas fonctionner correctement.

**REMARQUE :** Inspectez la barre de torsion lorsque la porte est levée et abaissée. Il est important qu'il n'y ait pas de mouvement perceptible de haut en bas ou de gauche à droite. Si le mouvement n'est pas corrigé, la durée de vie de l'ouvre-porte de garage sera fortement réduite.



# Préparation

## Avant de vous connecter avec votre téléphone intelligent

Surveillez et contrôlez votre porte de garage de n'importe où à l'aide de l'application myQ.

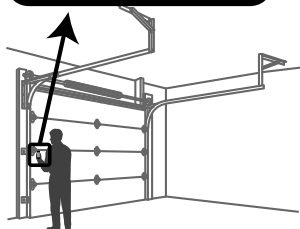
### AVANT DE COMMENCER :

Vous aurez besoin :

- Téléphone intelligent, tablette ou ordinateur portable compatible Wi-Fi
- Connexion Internet à large bande
- Signal Wi-Fi dans le garage (**2,4 Ghz, 802,11b/g/n requis**)
- Mot de passe pour votre réseau domestique (le compte principal du routeur; pas le réseau invité)

### TESTEZ L'INTENSITÉ DU SIGNAL WI-FI

Assurez-vous que votre appareil mobile est connecté à votre réseau Wi-Fi. Tenez votre appareil mobile à l'endroit où votre ouvre-porte de garage sera installé et vérifiez la force du signal Wi-Fi.



#### Vérifiez la force du signal. Si vous voyez que :



**Le signal Wi-Fi est fort.**  
L'ouvre-porte de garage se connectera à votre réseau Wi-Fi.



**Le signal Wi-Fi est faible.**  
L'ouvre-porte de garage se connectera peut-être à votre réseau Wi-Fi. Si ce n'est pas le cas, essayez l'une des options ci-dessous pour améliorer le signal Wi-Fi :



**Aucun signal Wi-Fi.**  
L'ouvre-porte de garage ne se connecte pas à votre réseau Wi-Fi. Essayez l'une des options ci-dessous pour améliorer le signal Wi-Fi :

- Rapprochez votre routeur de l'ouvre-porte de garage pour minimiser les interférences avec les murs et autres objets
- Achetez un prolongateur de portée Wi-Fi

Pour obtenir les caractéristiques techniques des routeurs compatibles et de l'aide, visitez [support.chamberlaingroup.com](http://support.chamberlaingroup.com). Voir page 13 pour connecter l'opérateur de porte de garage à un appareil mobile.



# Préparation

## Préparez votre porte de garage

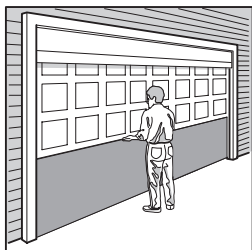
### AVANT DE COMMENCER :

- Désactivez les verrous.
- Retirez les cordes reliées à la porte du garage.

Effectuez le test suivant pour vous assurer que la porte de garage est équilibrée et qu'elle ne se coince pas.

1. Soulevez la porte à mi-hauteur. Libérez la porte. Si elle est équilibrée, elle doit rester en place, entièrement soutenue par ses ressorts.
2. Soulevez et abaissez la porte pour vérifier qu'elle ne se coince pas ou ne colle pas.
3. Une porte correctement équilibrée ne doit PAS s'ouvrir ou tomber rapidement.

Si votre porte se coince, colle ou est déséquilibrée, appelez un technicien qualifié en systèmes de porte.



Porte sectionnelle

## ⚠ AVERTISSEMENT

Pour éviter d'éventuelles BLESSURES GRAVES voire MORTELLES :

- Appelez TOUJOURS un technicien qualifié en systèmes de porte si la porte de garage se coince, colle ou est déséquilibrée. Une porte de garage déséquilibrée risque de ne PAS s'inverser lorsque cela est nécessaire.
- N'essayez JAMAIS de desserrer, déplacer ou ajuster la porte de garage, les ressorts de porte, les câbles, les poulies, les supports ou leur matériel, qui sont TOUS sous une tension EXTRÊME.
- Désactivez TOUTES les serrures et retirez TOUTES les cordes connectées à la porte de garage AVANT d'installer et d'utiliser l'ouvre-porte pour éviter tout enchevêtrement.
- Ce système d'ouvre-porte est muni d'une option de fonctionnement sans surveillance. La porte pourrait bouger de façon inattendue. NE TRAVERSEZ JAMAIS LA PORTE LORSQU'ELLE EST EN MOUVEMENT.

## ⚠ ATTENTION

Pour éviter d'endommager la porte de garage et l'ouvre-porte :

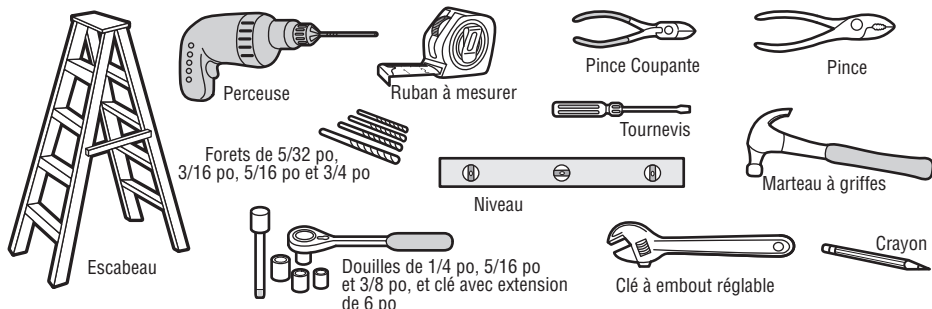
- Désactivez TOUJOURS les verrous AVANT d'installer et d'utiliser l'ouvre-porte.
- Utilisez UNIQUEMENT l'ouvre-porte de garage sur 120 V, 60 Hz pour éviter les dysfonctionnements et les dommages.

## CARACTÉRISTIQUES TECHNIQUES

Volts .....	120 VCA - 60 Hz, UNIQUEMENT
Courant .....	.1,5 A
Courant d'éclairage DEL (alimentation indépendante).....	.0,2 A

## Outils nécessaires

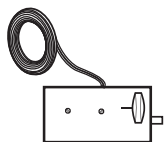
Pendant l'assemblage, l'installation et le réglage de l'ouvre-porte, les instructions feront appel à des outils manuels comme illustré ci-dessous.



# Préparation

## Inventaire du carton

Si quelque chose manque, vérifiez soigneusement le matériel d'emballage.

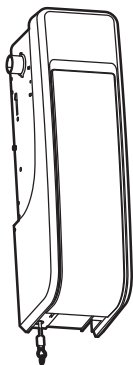


Verrouillage électrique de porte de garage avec fil de sonnette blanc et blanc/noir à 2 conducteurs avec connecteur

**REMARQUE :** Les anciens modèles de verrou de porte 24 V sont incompatibles



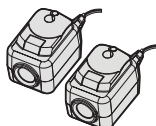
Support de fixation



Ouvre-porte de garage



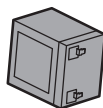
Fil de sonnette à 2 conducteurs blanc et blanc/rouge



Le Protector System  
(2) capteurs d'inversion de sécurité  
(1 capteur d'envoi et 1 capteur de réception)  
avec fil de sonnette à 2 conducteurs blanc et blanc/noir attaché



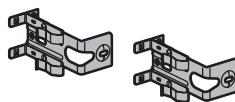
Collier avec vis de fixation



Batterie



Étiquettes de sécurité et documentation



Support des capteurs d'inversion de sécurité (2)

## ACCESSOIRES COMPRIS



Panneau de commande à détection de mouvement



Télécommande premium à 1 seul bouton  
Modèle 950ESTD (1)



Pince pour la télécommande



Lampe DEL intelligente myQLED1 (lampe pour ouvre-porte de garage) avec sac de matériel

## MATÉRIEL

Vis n° 10-32 (2)  
Vis 14-10x2 po (2)  
Poignée  
Corde  
1/4 po - 20 x 1/2 po

Vis 6 AB x 1 1/4 po (2)  
Ancrage pour cloisons sèches (2)  
Vis 6 - 32 x 1 po (2)  
Boulon de carrosserie 1/4 po - 20 x 1/2 po (2)  
Écrou à oreilles 1/4 po - 20 (2)

### LAMPE DEL INTELLIGENTE :

Ancrage pour cloison sèche (à visser) (2)  
Vis 6 x 1 po (2)

# Réglage

## 1 Identifier le profil de la porte

Pour identifier le numéro du profil de la porte, mesurez le diamètre complet du tambour en vous basant sur les images ci-dessous.

**REMARQUE :** Cette étape est importante pour assurer le bon fonctionnement de l'appareil.

Pour visionner une démonstration vidéo de l'identification et du réglage du profil de la porte, scannez le code QR.



### **AVERTISSEMENT**

Pour éviter tout risque de BLESSURE GRAVE voire MORTELLE, suivez les instructions afin de sélectionner et de régler le profil de la porte de manière à ce qu'elle fonctionne correctement et en toute sécurité.

#### Porte sectionnelle à levée standard

- Profil de porte 1 = Porte dont le poids est de standard à lourd\*, avec un tambour de 4 po (recommandé).
- Profil de porte 2 = Porte dont le poids est léger, avec un tambour de 4 po.
- Profil de porte 3 = Porte dont le poids est lourd\*, avec un tambour de 6 po.
- Profil de porte 4 = Porte dont le poids est léger, avec un tambour de 6 po.

\* **REMARQUE :** La taille des tambours peut varier d'un fabricant à l'autre.

Portes sectionnelles à levée standard :

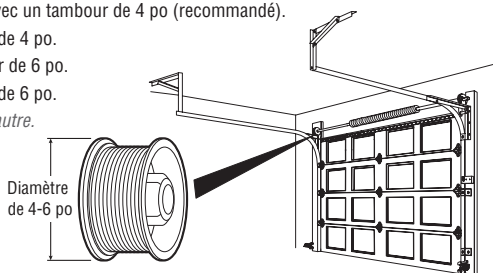
• Tambours inférieurs ou égaux à 5 po, utilisez un tambour de 4 po.

• Tambours de plus de 5 po, utilisez un tambour de 6 po.

Si vous n'êtes pas sûr du poids de la porte, choisissez :

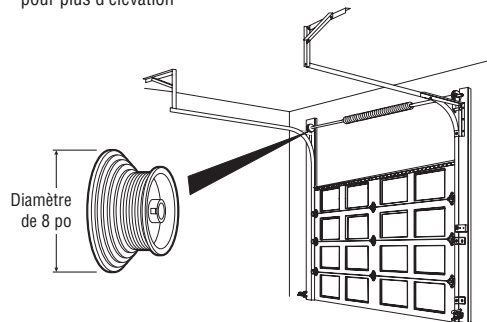
Profil de porte 1 pour un tambour de 4 po.

Profil de porte 3 pour un tambour de 6 po.



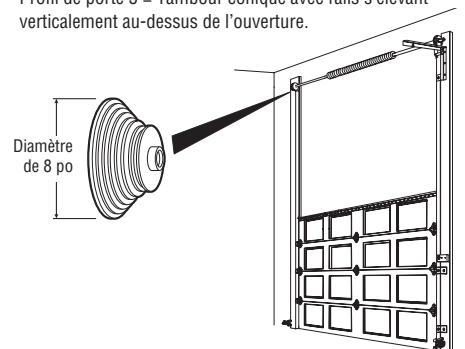
#### Porte sectionnelle à grande levée

- Profil de porte 5 = Tambour conique avec des rails plus hauts pour plus d'élévation



#### Porte sectionnelle à levée verticale

- Profil de porte 5 = Tambour conique avec rails s'élevant verticalement au-dessus de l'ouverture.



## 2 Identifier le profil de la porte

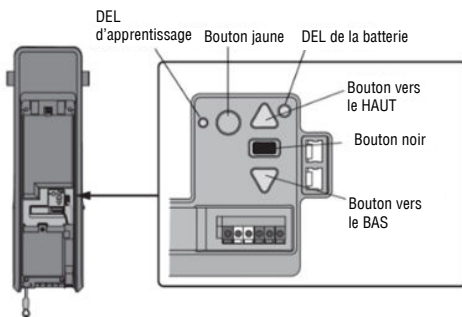
1. Pour entrer dans le mode Identifier le profil de la porte, appuyez sur le bouton noir et maintenez-le enfoncé pendant une seconde. Les boutons vers le HAUT et le BAS prennent une couleur unie.
2. Pour définir le Profil de la porte, appuyez sur les boutons vers le HAUT et le BAS. La touche DEL d'apprentissage clignote et émet des bips lorsque vous modifiez le réglage.
3. Le nombre de clignotements de la touche d'apprentissage à DEL indique le profil sélectionné. Il n'y a pas de profil de porte prédéfini.
4. Appuyez et relâchez le bouton noir pour configurer le profil de la porte. Ce processus est maintenant terminé. Passez au mode d'apprentissage du déplacement.

### QUITTER LE MODE DE RÉGLAGE DU NUMÉRO DE PROFIL DE LA PORTE

Si aucune sélection n'est effectuée dans les 4,5 minutes, le mode de sélection du profil de la porte est annulé, ce qui est indiqué par un long bip.

### **AVERTISSEMENT**

Pour éviter des blessures graves voire mortelles, reprogrammez les limites après toute modification du profil de la porte.



# Réglage

## 3 Programmer le déplacement

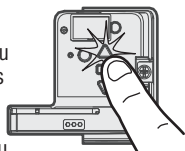
### ⚠ AVERTISSEMENT

Si le capteur d'inversion de sécurité n'est pas installé correctement, les personnes (en particulier les jeunes enfants) peuvent SUBIR DES BLESSURES GRAVES voire MORTELLES par une porte de garage qui se ferme.

- Un réglage incorrect des limites de déplacement de la porte de garage empêchera le bon fonctionnement du système d'inversion de sécurité.
- Vous DEVEZ tester le système d'inversion de sécurité après TOUT réglage. La porte DOIT s'inverser au contact d'un objet d'une hauteur de 1-1/2 po (3,8 cm) (ou un 2x4 posé à plat) sur le sol.

**REMARQUE :** Pendant la programmation de la course, les boutons fléchés vers le HAUT et le BAS peuvent être utilisés pour déplacer la porte selon les besoins. Pendant la configuration de la force automatique, la porte s'ouvre et se ferme automatiquement.

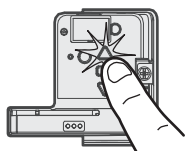
- 1** Appuyez sur le bouton de réglage et maintenez-le enfoncé jusqu'à ce que le bouton fléché vers le haut commence à clignoter et/ou qu'un bip se fasse entendre. Les capteurs d'inversion de sécurité seront déconnectés pendant le processus de programmation du déplacement.



- 2** Appuyez et maintenez le bouton fléché vers le HAUT jusqu'à ce que la porte soit dans la position OUVVERTE souhaitée.



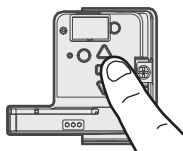
- 3** Une fois que la porte est dans la position OUVVERTE souhaitée, appuyez et relâchez le bouton de réglage. Les lumières de l'ouvre-porte de garage clignoteront deux fois et le bouton fléché vers le BAS commencera à clignoter.



- 4** Appuyez et maintenez le bouton fléché vers le BAS jusqu'à ce que la porte soit dans la position DESCENDUE souhaitée.



- 5** Une fois que la porte est dans la position DESCENDUE souhaitée, appuyez et relâchez le bouton de réglage. Les lampes de l'ouvre-porte de garage clignoteront deux fois. Le programme du déplacement est maintenant terminée.



Si les lampes de l'ouvre-porte de garage clignent 5 fois, la programmation est terminée et les limites de déplacement n'ont pas été réglées. Veuillez redémarrer le programme le processus de déplacement.

## 4 Configuration de la force automatique

Lorsque les positions de montée et de descente ont été réglées manuellement, les capteurs d'inversion de sécurité se reconnectent et deviennent opérationnels. L'ouvre-porte entre ensuite dans une opération de détection de force en déplaçant automatiquement la porte pour l'ouvrir et la fermer. L'ouvre-porte de garage émet une alerte sonore et visuelle avant d'ouvrir et de fermer automatiquement la porte. L'ouvre-porte de garage émet trois bips, confirmant que la configuration de la force automatique s'est déroulée avec succès. Le réglage est terminé.

Si vous entendez un long bip après que la porte ait tenté de se déplacer, cela signifie que le réglage de la force automatique ne s'est pas déroulé correctement. Veuillez recommencer à l'étape 1 de Programmer le déplacement.



# Réglage

## 5 Faites un test pour vérifier le système d'inversion de sécurité.

### ⚠ AVERTISSEMENT

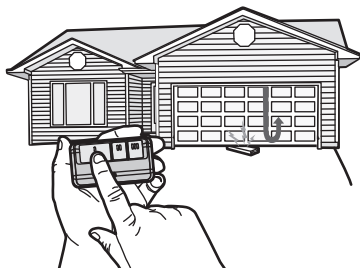
Si le capteur d'inversion de sécurité n'est pas installé correctement, les personnes (en particulier les jeunes enfants) peuvent SUBIR DES BLESSURES GRAVES voire MORTELLES par une porte de garage qui se ferme.

- Le système d'inversion de sécurité DOIT être testé tous les mois.
- Vous DEVEZ tester le système d'inversion de sécurité après TOUT réglage. La porte DOIT s'inverser au contact d'un objet d'une hauteur de 1-1/2 po (3,8 cm) (ou un 2x4 à plat) posé sur le sol.

- 1 La porte étant complètement ouverte, placez une planche de 1-1/2 po (3,8 cm) (ou un 2x4 à plat) sur le sol, au centre, dessous la porte du garage.



- 2 Appuyez sur le bouton poussoir de la télécommande pour fermer la porte. La porte DOIT s'inverser lorsqu'elle entre en contact avec la planche.



Si la porte s'arrête mais ne se réouvre pas :

1. Répétez la programmation du déplacement (voir l'étape de réglage 1) ;
2. Répétez le test d'inversion de sécurité.

Si le test continue d'échouer, appelez un technicien qualifié en systèmes de portes.

## 6 Testez le Protector System®

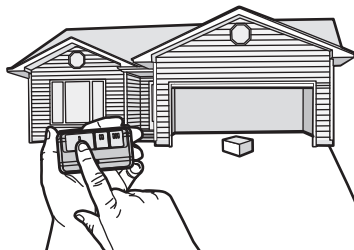
### ⚠ AVERTISSEMENT

Si le capteur d'inversion de sécurité n'est pas installé correctement, les personnes (en particulier les jeunes enfants) peuvent SUBIR DES BLESSURES GRAVES voire MORTELLES causées par une porte de garage qui se ferme.

- 1 Ouvrez la porte. Placez un obstacle sur le chemin de la porte.



- 2 Appuyez sur le bouton poussoir de la télécommande pour fermer la porte. La porte ne bougera pas de plus de 2,5 cm (1 po).



L'ouvre-porte de garage ne se ferme pas à partir d'une télécommande si le témoin lumineux de l'un ou l'autre des capteurs est éteint (ce qui vous avertit du fait que le capteur est mal aligné ou obstrué).

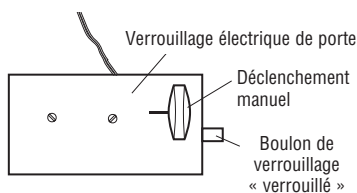
Si l'ouvre-porte de garage ferme la porte lorsque le capteur d'inversion de sécurité est obstrué (et que les capteurs ne sont pas à plus de 15 cm [6 po] du sol), appelez un technicien qualifié en systèmes de portes.

# Réglage

## 7 Tester le verrouillage électrique de porte

1. Lorsque la porte est complètement fermée, vérifiez que le boulon de verrouillage électrique est visible et qu'il dépasse du rail.
2. Appuyez sur le bouton de la télécommande pour fermer la porte de garage. Le verrou électrique de la porte doit se rétracter avant que la porte ne commence à bouger.
3. Appuyez sur le bouton de la télécommande pour fermer la porte. Lorsque la porte atteint la position complètement fermée, le verrou électrique de la porte doit s'activer automatiquement pour sécuriser la porte.

*REMARQUE : Le verrou électrique de porte peut être déverrouillé manuellement en faisant glisser la poignée de déverrouillage manuel en position ouverte. Toutefois, si le verrouillage électrique des portes ne fonctionne pas, contactez Chamberlain pour le remplacer.*



## ⚠ AVERTISSEMENT

Pour éviter d'éventuelles BLESSURES GRAVES voire MORTELLES causées par une porte de garage qui tombe :

- Dans la mesure du possible, utilisez UNIQUEMENT la poignée de déverrouillage d'urgence pour désengager le chariot lorsque la porte du garage est FERMÉE. Des ressorts faibles ou cassés, ou une porte déséquilibrée peuvent entraîner une chute rapide et/ou inattendue d'une porte ouverte.
- N'utilisez JAMAIS la poignée de déverrouillage d'urgence si l'entrée de la porte de garage est obstruée.

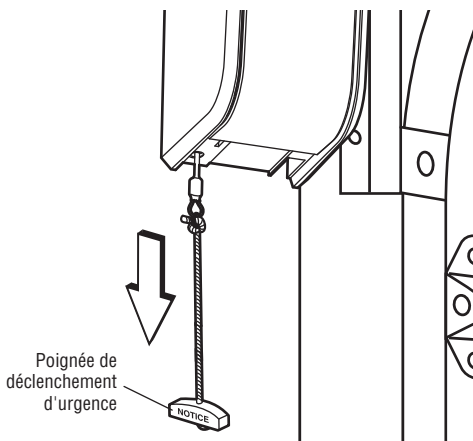
## 8 Tester le déclenchement d'urgence

### OUVREZ LA PORTE MANUELLEMENT :

1. Fermez la porte du garage. Faites glisser la poignée de déverrouillage manuel de la serrure de la porte électrique pour l'ouvrir avant de continuer.
2. Tirez vers le bas sur la poignée de déverrouillage d'urgence jusqu'à ce que vous entendiez un clic.
3. Soulevez la porte manuellement.

### REBRANCHEZ LA PORTE À L'OUVRE-PORTE DE GARAGE :

1. Tirez vers le bas sur la poignée de déverrouillage d'urgence jusqu'à ce que vous entendiez un clic. La porte se reconnectera lors de la prochaine ouverture ou fermeture.



# CONSIGNES DE SÉCURITÉ IMPORTANTES

## AVERTISSEMENT

### Pour réduire le risque de BLESSURES GRAVES voire MORTELLES :

1. Lisez et suivez tous les avertissements et instructions.
2. Gardez TOUJOURS les télécommandes hors de portée des enfants. Ne permettez JAMAIS aux enfants de manipuler ou de jouer avec les boutons-poussoirs ou les télécommandes de la porte de garage.
3. Activez la porte UNIQUEMENT lorsqu'elle est clairement visible et réglée correctement, et qu'il n'y a pas d'obstacles à son déplacement.
4. Gardez TOUJOURS la porte de garage en vue et loin des personnes et des objets jusqu'à ce qu'elle soit complètement fermée. NE TRAVERSEZ JAMAIS LA PORTE LORSQU'ELLE EST EN MOUVEMENT.
5. PERSONNE NE DEVRAIT PASSER SOUS UNE PORTE ARRÊTÉE OU PARTIELLEMENT OUVERTE.
6. Si possible, utilisez la poignée de déverrouillage d'urgence pour dégager le chariot UNIQUEMENT lorsque la porte de garage est FERMÉE. Soyez prudent lorsque vous utilisez cette poignée pendant que la porte est ouverte. Des ressorts faibles ou cassés ou une porte déséquilibrée peuvent entraîner une chute rapide et/ou inattendue de la porte ouverte et augmenter le risque de BLESSURES GRAVES voire MORTELLES.
7. N'utilisez JAMAIS la poignée de déverrouillage d'urgence à moins que la porte du garage ne soit dégagée de personnes et d'obstacles.
8. N'utilisez JAMAIS la poignée de déverrouillage d'urgence pour ouvrir ou fermer la porte du garage. Si le nœud de la corde se défait, vous risquez de tomber.
9. Après TOUT réglage, le système d'inversion de sécurité DOIT être testé.
10. Le système d'inversion de sécurité DOIT être testé tous les mois. La porte DOIT s'inverser au contact d'un objet d'une hauteur de 3,8 cm (1-1/2 po) (ou un 2x4 à plat) posé sur le sol. Une installation inadéquate de l'ouvre-porte de garage augmente le risque de BLESSURE GRAVE ou MORTELLE.
11. VEILLEZ TOUJOURS À CE QUE LA PORTE DE GARAGE SOIT ÉQUILIBRÉE CORRECTEMENT. Une porte mal équilibrée risque de ne PAS s'inverser lorsque cela est nécessaire et pourrait entraîner des BLESSURES GRAVES voir MORTELLES.
12. TOUTES les réparations de câbles, de ressorts et d'autres éléments, qui sont tous soumis à une tension EXTRÊME, DOIVENT être effectuées par un technicien qualifié en systèmes de portes.
13. Débranchez TOUJOURS l'alimentation électrique de l'ouvre-porte de garage AVANT d'effectuer TOUTE réparation ou d'enlever les couvercles.
14. Ce système de commande est équipé d'une fonction de fonctionnement sans surveillance. La porte pourrait bouger de façon inattendue. NE TRAVERSEZ JAMAIS LA PORTE LORSQU'ELLE EST EN MOUVEMENT.

**5. CONSERVEZ CES INSTRUCTIONS.**

# Utilisation

## Utilisation de votre ouvre-porte de garage

### CARACTÉRISTIQUES

Votre ouvre-porte de garage est équipé de fonctions qui vous permettent de mieux contrôler le fonctionnement de votre porte de garage.

#### Alert2Close

La fonction Alert2Close fournit une alerte visuelle et sonore indiquant qu'une porte non surveillée est en train de se fermer.

#### MINUTERIE DE FERMETURE (TTC)

La fonction TTC ferme automatiquement la porte après une période de temps déterminée qui peut être réglée à l'aide d'une commande de porte TTC (commande murale multifonction). Avant et pendant la fermeture de la porte, les lumières de l'ouvre-porte de garage clignotent et l'ouvre-porte de garage émet un bip. La lampe DEL intelligente doit être installée pour permettre d'utiliser la TTC ou la commande myQ par téléphone intelligent de la porte.

#### myQ

myQ vous permet de contrôler votre ouvre-porte de garage depuis votre appareil mobile ou votre ordinateur, où que vous soyez. La technologie myQ utilise un signal de 900 Mhz pour assurer une communication bidirectionnelle entre l'ouvre-porte de garage et les accessoires compatibles myQ. L'ouvre-porte de garage possède une passerelle interne qui lui permet de communiquer directement avec un réseau Wi-Fi domestique et d'accéder à votre compte myQ.

### CAPACITÉ DE MÉMOIRE

ACCESSOIRES SECURITY+ 2.0	CAPACITÉ DE MÉMOIRE
Télécommandes	Jusqu'à 40
Commandes de porte	Jusqu'à 2 panneaux de commande intelligents ou 4 de n'importe quelle autre commande de porte Security+ 2.0
Entrées sans clé	Jusqu'à 4
Accessoires myQ	Jusqu'à 16

### LE PROTECTOR SYSTEM (CAPTEURS D'INVERSION DE SÉCURITÉ)

Lorsqu'ils sont connectés et alignés correctement, les capteurs d'inversion de sécurité détectent une obstruction dans la trajectoire du faisceau infrarouge. Si un obstacle brise le faisceau infrarouge pendant la fermeture de la porte, la porte s'arrête, puis retourne en position complètement ouverte. Si la porte est complètement ouverte et que les capteurs d'inversion de sécurité ne sont pas installés ou sont mal alignés, la porte ne se fermera pas à l'aide d'une télécommande. Cependant, vous pouvez fermer la porte si vous maintenez le bouton de la commande de la porte ou du système d'accès sans clé jusqu'à ce que la porte soit complètement fermée. Les capteurs d'inversion de sécurité n'affectent pas le cycle d'ouverture. Pour plus d'information, voir page 9.

### LUMIÈRES

Le voyant de l'ouvre-porte de garage s'allume lorsque l'ouvre-porte est initialement branché, lorsque le courant est rétabli après une interruption ou lorsque l'ouvre-porte de garage est activé. La lumière s'éteint automatiquement après 4 minutes et demie.

### UTILISATION DE VOTRE OUVRE-PORTE DE GARAGE

L'ouvre-porte de garage peut être activé par une commande de porte murale, une télécommande, un système d'entrée sans clé sans fil ou un accessoire myQ. Lorsque la porte est fermée et que l'ouvre-porte de garage est activé, la porte s'ouvre. Si la porte entre en contact avec un obstacle pendant l'ouverture, la porte s'arrête, l'ouvre-porte émet des bips et les lumières clignotent 5 fois. Lorsque la porte est dans une position autre que fermée et que l'ouvre-porte de garage est activé, la porte se ferme. Si l'ouvre-porte de garage entre en contact avec une obstruction en fermant, la direction de la porte sera inversée. Cependant, vous pouvez fermer la porte si vous maintenez le bouton de la commande de la porte ou du clavier sans fil jusqu'à ce que la porte soit complètement fermée. Les capteurs d'inversion de sécurité n'affectent pas le cycle d'ouverture. Le capteur d'inversion de sécurité doit être connecté et aligné correctement avant que l'ouvre-porte de garage fasse descendre la porte.

### BATTERIE DE SECOURS

La batterie de secours de 12 V permet d'entrer et de sortir de votre garage, même en cas de panne de courant. Lorsque l'ouvre-porte de garage fonctionne sur batterie, l'ouvre-porte de garage fonctionnera plus lentement, la lumière ne fonctionnera pas, le voyant DEL d'état de la batterie sera orange fixe et un bip retentira toutes les 2 secondes environ.



# Utilisation

## Connectez-vous avec votre téléphone intelligent

Cet ouvre-porte de garage Wi-Fi® est compatible avec jusqu'à 16 systèmes myQ® qui peuvent être contrôlés à l'aide de l'application myQ®.

### Vous aurez besoin :

- Téléphone intelligent, tablette ou ordinateur portable compatible Wi-Fi
- Connexion Internet à large bande
- Signal Wi-Fi dans le garage (**2,4 Ghz, 802.11b/g/n requis**), reportez-vous à la page 3
- Mot de passe de votre réseau domestique (le compte principal du routeur ; pas le réseau invité)
- Numéro de série myQ indiqué sur l'ouvre-porte de garage

### SYNCHRONIZER LA COMMANDE DE PORTE

Pour synchroniser la commande de la porte avec l'ouvre-porte de garage, appuyez sur la barre de poussée jusqu'à ce que l'ouvre-porte de garage s'active (cela peut prendre jusqu'à 3 pressions). L'ouvre-porte de garage doit effectuer un cycle complet avant d'activer la programmation Wi-Fi.

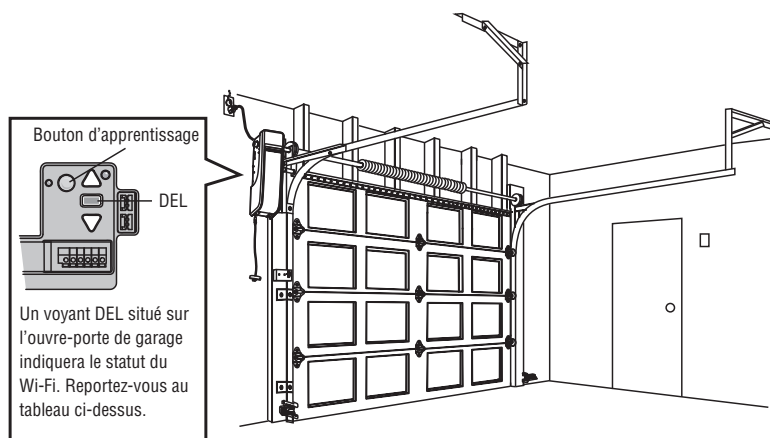
### TÉLÉCHARGEZ L'APPLICATION myQ POUR CRÉER UN COMPTE ET SE CONNECTER

Ouvrez et fermez votre porte, recevez des alertes et définissez des horaires à partir de n'importe où. Les ouvre-portes de garage intelligents connectés reçoivent également des mises à jour logicielles afin de garantir que l'ouvre-porte dispose des dernières fonctionnalités opérationnelles.

1. Téléchargez l'application myQ.
2. Créez un compte et connectez-vous.

**Pour plus d'information sur la connexion de votre ouvre-porte de garage, consultez le site support.chamberlaingroup.com.**

Statut Wi-Fi	
DEL	Définition
Bleu	<b>Éteint</b> - Le Wi-Fi n'est pas activé. <b>Clignotant</b> - L'ouvre-porte de garage est en mode d'apprentissage Wi-Fi. <b>Allumé en continu</b> - Appareil mobile connecté à l'ouvre-porte de garage.
Bleu et Vert	<b>Clignotant</b> - Tentative de connexion au routeur.
Vert	<b>Clignotant</b> - Tentative de connexion au serveur Internet. <b>Allumé en continu</b> - Le Wi-Fi a été configuré et l'ouvre-porte de garage est connecté à Internet.



### REMARQUES :

L'application myQ ne fonctionne PAS si l'ouvre-porte de garage fonctionne sur batterie.

Pour effacer les paramètres Wi-Fi de l'ouvre-porte, voir page 17.

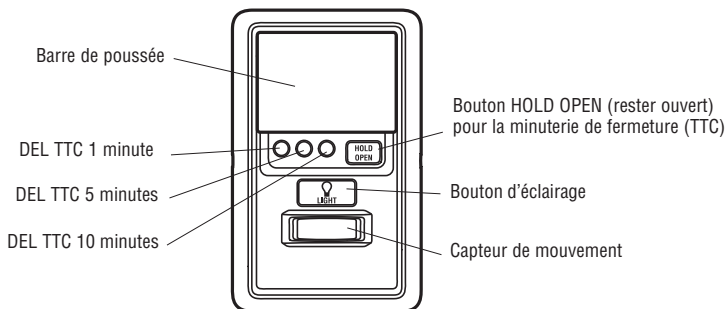
**Si vous avez besoin d'aide pour ajouter des appareils à votre compte myQ ou pour en savoir plus, allez à support.chamberlaingroup.com.**

# Utilisation

## Utilisation de la commande de porte

### SYNCHRONIZER LA COMMANDE DE PORTE

Pour synchroniser la commande de la porte à l'ouvre-porte du garage, appuyez sur la barre de poussée jusqu'à ce que l'ouvre-porte du garage se mette en fonction (cela peut prendre jusqu'à trois poussées). Essayez la commande de la porte en appuyant sur la barre de poussée, chaque poussée sur la barre de poussée activera l'ouvre-porte de garage.



### CARACTÉRISTIQUES

#### BARRE DE POUSSÉE

#### VERROU

Conçu pour empêcher le fonctionnement de la porte à partir de télécommandes manuelles. Cependant, la porte s'ouvrira et se fermera à partir de la commande de porte, du clavier et de l'application myQ®

#### DÉTECTION DE MOUVEMENT

Cette fonction permet d'allumer automatiquement les lumières de l'ouvre-porte de garage lorsqu'un mouvement est détecté. Les lumières s'allument pendant 4 minutes et demie, puis s'éteignent.

#### MINUTERIE DE FERMETURE (TTC)

La fonction TTC permet de fermer automatiquement la porte après une durée déterminée (1, 5 ou 10 minutes). Une fois que la TTC a été réglée et que la porte est ouverte, le voyant correspondant à l'intervalle de fermeture sélectionné clignote et commence le compte à rebours pour la fermeture de la porte. Le panneau de commande émet un bip et les lumières de l'ouvre-porte de garage clignotent avant la fermeture de la porte.

La fonction TTC se désactive si la porte de garage rencontre deux fois un obstacle ou si les capteurs d'inversion de sécurité sont mal installés. La porte de garage s'ouvrira et ne se fermera PAS tant que les obstructions ne seront pas dégagées ou que les capteurs d'inversion de sécurité ne seront pas correctement installés. Une fois que l'obstacle a été dégagé ou que les capteurs d'inversion de sécurité ont été alignés, la porte se ferme quand l'ouvre-porte de garage est activé.

**REMARQUE :** La lumière doit être programmée au niveau de l'opérateur pour la minuterie de fermeture ou de l'application myQ® pour pouvoir fermer la porte sans surveillance.

### COMMENT FAIRE :

Appuyez sur la barre de poussée pour ouvrir ou fermer la porte.

**Activer :** Appuyez sur le bouton de VERROUILLAGE et maintenez-le enfoncé pendant 2 secondes. La DEL de commande clignote tant que la fonction de verrouillage est activée et votre télécommande manuelle ne peut pas faire fonctionner votre porte à ce moment-là.

**Désactiver :** Appuyez à nouveau sur le bouton de VERROUILLAGE et maintenez-le enfoncé pendant 2 secondes. Le voyant DEL de commande cesse de clignoter et le fonctionnement normal reprend.

#### Activer/Désactiver :

Faites glisser l'interrupteur du détecteur de mouvement sur ON (activer) ou OFF (désactiver).

**Activer :** Appuyez sur le bouton ON (marche) et maintenez-le enfoncé jusqu'à ce que l'un des voyants TTC s'allume. Puis appuyez à nouveau sur le bouton ON pour faire défiler les options d'intervalle de temps (la LED TTC correspondante s'allume pour chaque intervalle de temps). Les ampoules de l'ouvre-porte de garage clignoteront pour confirmer.

**Désactiver :** Appuyez sur le bouton OFF (désactiver) et maintenez-le enfoncé jusqu'à ce que toutes les DEL de la TTC s'éteignent et qu'un bip soit émis par le panneau de commande.

**Pour suspendre la minuterie de fermeture (TTC) :** Pour suspendre la TTC et maintenir temporairement la porte ouverte, appuyez et relâchez le bouton HOLD OPEN (rester ouvert) (la DEL correspondante devient fixe). La TTC restera suspendue jusqu'à ce que le bouton HOLD OPEN (rester ouvert) soit à nouveau enfoncé ou que l'ouvre-porte de garage soit activé par un autre dispositif (commande de la porte, télécommande, clavier, etc.).

# Utilisation

## Utilisation de la commande de porte (suite)

### CARACTÉRISTIQUES

#### LAMPES :

Enfoncez le bouton LIGHT pour allumer ou éteindre les lumières de l'ouvre-porte de garage. Lorsque les lumières sont allumées, elles le demeureront jusqu'à ce que le bouton LIGHT soit enfoncé à nouveau, ou jusqu'à ce que l'ouvre-porte de garage soit activé. Une fois l'ouvre-porte de garage activé, les lumières s'éteignent après le délai précisé (le paramètre réglé en usine est de 4 minutes et demie). Le bouton d'éclairage ne permet pas de contrôler les lumières lorsque la porte est en mouvement.

### COMMENT FAIRE :

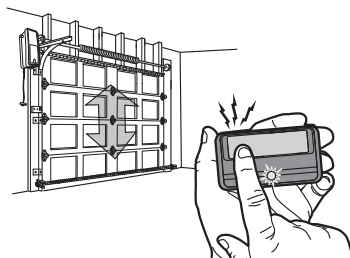
#### POUR MODIFIER LA DURÉE PENDANT LAQUELLE LES LAMPES À DISTANCE RESTENT ALLUMÉES :

Appuyez sur le bouton de VERROUILLAGE et maintenez-le enfoncé jusqu'à ce que les lumières de l'ouvre-porte de garage clignotent. L'interval de temps est indiqué par le nombre de clignotements.

NOMBRE DE CLIGNOTEMENTS DES LUMIÈRES DE L'OUVRE- PORTE DE GARAGE	DURÉE DE CHAQUE CLIGNOTEMENT
1	1,5 minute
2	2,5 minutes
3	3,5 minutes
4	4,5 minutes

## Utilisation de la télécommande

Appuyez sur le bouton et maintenez-le enfoncé jusqu'à ce que la porte ou le portail commence à bouger. La télécommande fonctionnera jusqu'à une distance de 3 longueurs de voiture sur des installations typiques. Les installations et les conditions varient, contactez un revendeur installateur pour plus d'informations.



**AVIS :** Cet appareil est conforme à la Partie 15 du Règlement de la FCC et des normes RSS d'Industrie Canada exemptes de permis. Son utilisation est sujette aux deux conditions suivantes : (1) cet appareil ne doit pas causer d'interférences nuisibles, et (2) cet appareil doit accepter toutes les interférences reçues, y compris les interférences qui peuvent causer le fonctionnement indésirable de l'appareil.

Les modifications ou les changements non expressément approuvés par la partie responsable de la conformité peuvent annuler l'autorité de l'utilisateur à utiliser l'équipement.

Cet appareil doit être installé pour qu'une distance minimum de 20 cm (8 po) soit maintenue entre les utilisateurs, les passants et l'appareil.

Cet appareil a été testé et s'est avéré conforme aux limites d'un appareil numérique de classe B selon la partie 15 des règlements de la FCC et des normes ICES d'Industrie Canada. Ces limites ont pour objet de fournir une protection raisonnable contre les interférences nuisibles dans une installation résidentielle. Cet équipement produit, utilise et peut rayonner de l'énergie radiofréquence et, s'il n'est pas installé et utilisé conformément aux instructions, il risque de causer des interférences nuisibles aux communications radio. Toutefois, il n'est pas possible de garantir l'absence d'interférences dans une installation particulière. Si cet équipement cause des interférences nuisibles à la réception radio ou TV, ce qui peut être déterminé en l'éteignant puis en le rallumant, l'utilisateur est invité à essayer de corriger l'interférence en prenant au moins l'une des mesures suivantes :

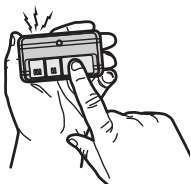
- Réorientez ou déplacez l'antenne de réception.
- Augmentez la distance entre l'équipement et le récepteur.
- Connectez l'équipement à une prise située sur un circuit différent de celui auquel le récepteur est connecté.
- Consultez le revendeur ou un technicien radio/TV expérimenté pour obtenir de l'aide.

# Programmation

Votre télécommande manuelle (modèle 950ESTD) a déjà été programmée en usine pour la commande de la porte (panneau de commande à détection de mouvement). Vous trouverez ci-dessous les instructions pour programmer des télécommandes, claviers et accessoires **supplémentaires** compatibles avec myQ® sur la commande de porte.

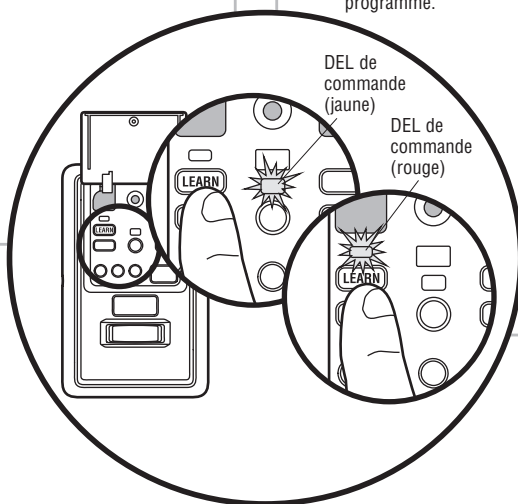
## TÉLÉCOMMANDE

1. Appuyez deux fois sur le bouton LEARN (apprentissage) du panneau de commande; la DEL rouge d'apprentissage s'allume.
2. Appuyez sur le bouton de la télécommande que vous avez choisi pour faire fonctionner votre porte de garage.
3. Les lumières de l'ouvre-porte de garage clignotent (ou deux clics seront entendus) dès que le code a été programmé.



## CLAVIER DU MODÈLE 940ESTD

1. Appuyez deux fois sur le bouton LEARN du (apprentissage) panneau de commande; la DEL rouge d'apprentissage s'allume.
2. Saisissez un numéro d'identification personnel (NIP) à 4 chiffres de votre choix sur le clavier. Appuyez ensuite sur la touche ENTER (entrée).
3. Les lumières de l'ouvre-porte de garage clignotent (ou deux clics seront entendus) dès que le code a été programmé.



? ? ? ?  
NIP

# Programmation

## Programmation de la lampe à DEL intelligente

La lampe télécommandée de votre ouvre-porte de garage a déjà été programmée en usine pour fonctionner avec votre ouvre-porte. Toute télécommande supplémentaire ou de remplacement devra être programmée.

### PROGRAMMER UN OUVRE-PORTE POUR POUVOIR UTILISER LA LAMPE DEL INTELLIGENTE

1. Appuyez sur le bouton LEARN (apprentissage) de la lampe jusqu'à ce que la DEL verte s'allume.
2. Localisez le bouton LEARN (apprentissage) sur l'ouvre-porte de garage. **OU**

Sur le panneau Smart Control® allez à Menu > Program > myQ Accessory (Menu, Programme, Accessoires myQ).

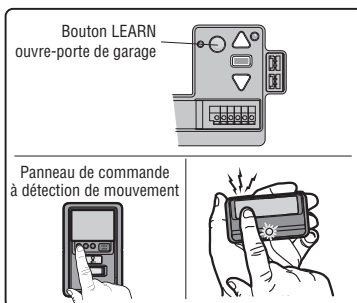
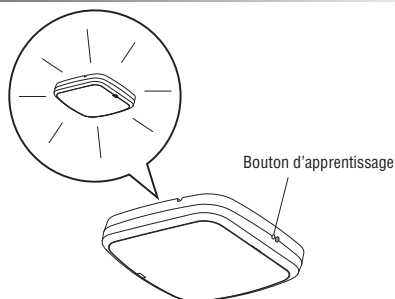
3. Le code a été programmé lorsque le voyant de la télécommande clignote une fois.

### AJOUTER LA LAMPE DEL INTELLIGENTE AU COMPTE myQ

1. Appuyez sur le bouton LEARN (apprentissage) de la lampe jusqu'à ce que la DEL verte s'allume.
2. Connectez-vous à l'application myQ et ajoutez la lampe DEL intelligente.

### POUR EFFACER TOUTE LA PROGRAMMATION DE LA LAMPE À DEL INTELLIGENTE

1. Appuyez sur le bouton LEARN (apprentissage) et maintenez-le enfoncé jusqu'à ce que la DEL s'éteigne (environ 6 à 10 secondes). Toute la programmation est maintenant effacée.



## Pour effacer la mémoire

### EFFACER TOUTES LES TÉLÉCOMMANDES ET LES ENTRÉES SANS CLÉS

1. Appuyez sur le bouton LEARN (apprentissage) et maintenez-le enfoncé jusqu'à ce que la DEL s'éteigne (environ 6 secondes). Tous les codes de télécommandes et des entrées sans clé sont maintenant effacés. Reprogrammez tout accessoire que vous voulez utiliser.

### SUPPRIMER TOUS LES APPAREILS (y compris les accessoires compatibles avec myQ)

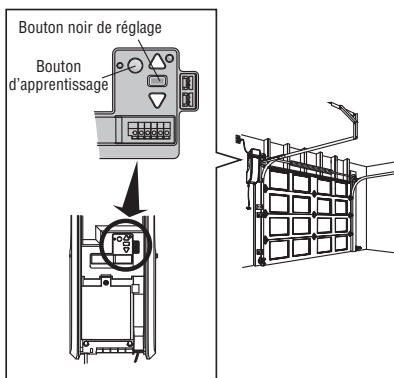
1. Appuyez sur le bouton LEARN (apprentissage) et maintenez-le enfoncé jusqu'à ce que la DEL s'éteigne (environ 6 secondes).
2. Appuyez immédiatement sur le bouton LEARN (apprentissage) et maintenez-le enfoncé jusqu'à ce que la DEL s'éteigne. Tous les codes sont maintenant supprimés. Reprogrammez tout accessoire que vous voulez utiliser.

### EFFACER LE RÉSEAU WI-FI DE L'OUVRE-PORTE DE GARAGE

1. Appuyez sur le bouton de réglage noir de l'ouvre-porte de garage et maintenez-le enfoncé jusqu'à ce que vous entendiez 3 bips (environ 6 secondes).

### SUPPRIMER UN COMPTE myQ

Allez sur [support.chamberlaingroup.com](http://support.chamberlaingroup.com) pour supprimer votre compte myQ.



# Programmation

## HomeLink®

Dans le rare cas où le système HomeLink ne se programme pas avec l'ouvre-porte de garage Security+ 2.0, installez un ensemble de répétition. Reportez-vous aux instructions HomeLink ci-dessous.

HomeLink est le système pour véhicule. L'image utilisée est uniquement à titre de référence et votre produit peut être différent.

### QUAND INSTALLER UN ENSEMBLE DE RÉPÉTITION HOMELINK?

Tous les véhicules de 2006 et plus anciens : un ensemble de répétition est nécessaire et doit être acheté par le propriétaire.

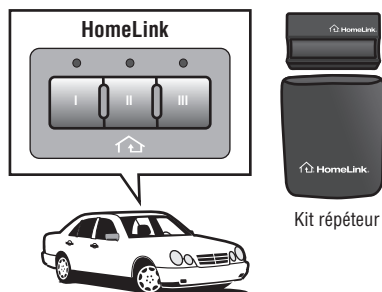
Tous les véhicules de 2007 et plus récents : programmez le HomeLink selon les instructions du véhicule. Si après UNE tentative de programmer le HomeLink à l'ouvre-porte de garage, vous n'y arrivez pas, installez un ensemble de répétition.

### COMMENT COMMANDER

Commandez l'ensemble de répétition HomeLink chez un installateur ou appelez le 1-800-355-3515. Pour programmer l'ensemble de répétition HomeLink, consultez les instructions qui y sont jointes ou visitez le site : <http://www.homelink.com/program>.

### QUELQUES POINTS SUR LE RÉGLAGE

- Un seul ensemble de répétition est requis par foyer.
- Utilisez différents boutons HomeLink du véhicule si vous programmez plusieurs voitures, bouton 1 première voiture, bouton 2 deuxième voiture... etc.
- La télécommande HomeLink n'est PAS un ouvre-porte de garage.
- Si vous utilisez le répéteur HomeLink avec un ouvre-porte de garage doté d'un système de secours par batterie, assurez-vous que votre télécommande d'origine est programmée pour l'ouvre-porte de garage et placez-la dans votre boîte à gants pour l'utiliser en cas de panne de courant.
- La télécommande incluse dans cet ensemble DOIT être conservée pour une programmation ultérieure (nouveau véhicule, nouvel ouvre-porte de garage, etc).



# Entretien

## Utilisation de votre ouvre-porte de garage

### PLANIFICATION DE L'ENTRETIEN

#### TOUS LES MOIS

- Activez manuellement la porte. Si elle est déséquilibrée ou pliée, appelez un technicien qualifié en systèmes de porte.
- Vérifiez que la porte s'ouvre et se ferme complètement. Ajustez les limites si nécessaire (voir l'étape d'ajustement 1).
- Répétez le test d'inversion de sécurité. Effectuez les réglages nécessaires (voir l'étape d'étape de réglage 2).

#### TOUS LES ANS

- Huilez les rouleaux, les roulements et les charnières de porte. L'ouvre-porte de garage ne nécessite pas davantage de lubrification. N'appliquez pas de la graisse sur les rails de la porte.

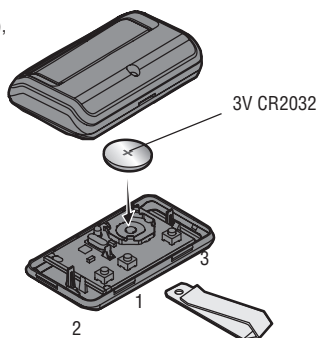
#### Lampe à DEL intelligente

- Débranchez la lampe avant de la nettoyer.
- Utilisez un chiffon légèrement humidifié pour le nettoyage.
- N'utilisez PAS de nettoyeurs liquides sur la lentille de la lampe.

### BATTERIE DE LA TÉLÉCOMMANDE

La ou les DEL de votre télécommande cessent de clignoter lorsque la pile est faible et doit être remplacée. Pour remplacer la batterie, ouvrez le boîtier comme illustré. Insérez la pile, face positive vers le haut (+). Remplacez les piles seulement avec des piles CR2032 de 3 V. Jetez les piles usagées de manière appropriée.

Ouvrez le boîtier d'abord au milieu (1), puis de chaque côté (2 et 3) avec le clip du pare-soleil.



### **⚠ AVERTISSEMENT**

Pour éviter d'éventuelles BLESSURES GRAVES voire MORTELLES :

- Ne laissez JAMAIS de jeunes enfants s'approcher des piles.
- En cas d'ingestion de la pile, prévenez immédiatement un médecin.

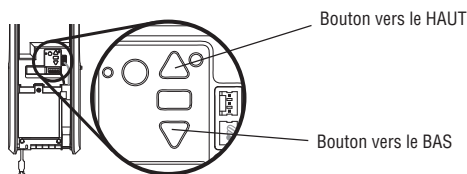
Pour réduire les risques d'incendie, d'explosion ou de brûlures chimiques respectez ce qui suit :

- Utilisez SEULEMENT des piles CR2032 de 3 V pour remplacer.
- Ne rechargez, démontez, chauffez PAS à plus de 212 °F (100 °C) et n'incinerez PAS.

# Dépannage

## Tableau des diagnostics

Votre ouvre-porte de garage est programmé pour s'autodiagnostiquer. Les flèches vers le haut et vers le bas de l'ouvre-porte de garage clignotent pour indiquer les codes de diagnostics.



CODE DE DIAGNOSTIC		SYMPTÔME	SOLUTION
Flèche(s) vers le haut clignotant	Flèche(s) vers le bas clignotant		
1	1	L'ouvre-porte de garage ne ferme pas la porte.	Les capteurs de sécurité ne sont pas installés, connectés ou les fils peuvent être coupés. Inspectez les fils des capteurs pour vous assurer qu'ils sont connectés et ne sont pas coupés.
1	2	L'ouvre-porte de garage ne ferme pas la porte.	Il y a un court-circuit ou un fil inversé au niveau des capteurs de sécurité. Inspectez les fils de capteurs de sécurité à tous les points d'agrafage et de connexion, et remplacez les fils ou remédiez au problème selon le nécessaire.
1	3	La commande de la porte ne fonctionne pas.	Les fils de la commande de la porte sont court-circuités ou la commande de la porte fait défaut. Inspectez les fils de commande de la porte à tous les points d'agrafage et de connexion, et remplacez les fils ou remédiez au problème selon le nécessaire.
1	4	L'ouvre-porte de garage ne se ferme pas et les voyants clignotent.	Les capteurs de sécurité sont mal alignés ou ont été momentanément obstrués. Alignez correctement les deux capteurs pour vous assurer que les deux voyants à DEL sont allumés en continu et ne clignotent pas. Assurez-vous que rien n'est accroché ou monté sur la porte qui pourrait interrompre la trajectoire des capteurs lors de la fermeture.
1	5	La porte se déplace de 6 à 8 po (15 à 20 cm), s'arrête ou s'inverse.	Ouvrez et fermez la porte manuellement. Vérifiez si elle est pliée ou s'il y a des obstructions comme un ressort brisé ou le dispositif de verrouillage et corrigez la situation, au besoin. Vérifiez les connexions des fils au module de déplacement et à la carte mère. Remplacez le module de déplacement, au besoin.
		Il n'y a aucun mouvement, seulement un clic.	Ouvrez et fermez la porte manuellement. Vérifiez si elle est pliée ou s'il y a des obstructions comme un ressort brisé ou le dispositif de verrouillage et corrigez la situation, au besoin. Remplacez la carte mère si nécessaire.
		L'ouvre-porte émet un son de bourdonnement pendant 1 à 2 secondes sans mouvement.	Ouvrez et fermez la porte manuellement. Vérifiez si elle est pliée ou s'il y a des obstructions comme un ressort brisé ou le dispositif de verrouillage et corrigez la situation, au besoin. Remplacez le moteur, au besoin.
1	6	Porte est en roue libre après l'arrêt complet.	Programmez le déplacement en position de roue libre ou faites équilibrer la porte par un technicien qualifié.
2	1-5	Aucun mouvement ou son.	Remplacez la carte mère.
3	1	L'ouvre-porte de garage bouge légèrement, puis s'arrête.	Activez à nouveau l'ouvre-porte de garage. Si le problème persiste, remplacez la carte logique.
3	3	La DEL de statut de la batterie clignote constamment en vert.	Erreur du circuit de charge de la batterie de secours, remplacez la carte logique.
3	5	La porte de garage ne se ferme pas. La porte s'inverse uniquement dans le sens de la fermeture.	<ul style="list-style-type: none"> <li>• Vérifiez que l'apprentissage CTM est adapté à l'installation.</li> <li>• Détectez toute obstruction éventuelle de la porte et retirez-la.</li> <li>• Remplacer les CTM défectueux par des CTM en bon état pour effacer le code d'erreur (voir l'accessoire CTM en option).</li> </ul>
4	1-4	La porte bouge, s'arrête et change de direction. L'ouvre-porte émet des bips et les voyants clignotent.	Ouvrez et fermez la porte manuellement. Vérifiez si elle est pliée ou s'il y a des obstructions comme un ressort brisé ou le dispositif de verrouillage et corrigez la situation, au besoin. Si la porte plie, ou colle, communiquez avec un technicien qualifié en systèmes de portes. Si la porte ne se bloque pas ou ne se coince pas, essayez de reprogrammer le déplacement.
4	5	L'ouvre-porte fonctionne environ pour un déplacement de 6 à 8 po (15 à 30 cm), s'arrête et change la direction du déplacement.	Erreur de communication avec le module de déplacement. Vérifiez les connexions du module de voyage, remplacez le module si nécessaire.
4	6	L'ouvre-porte de garage ne se ferme pas et les voyants clignotent.	Les capteurs de sécurité sont mal alignés ou ont été momentanément obstrués. Alignez correctement les deux capteurs pour vous assurer que les deux voyants à DEL sont allumés en continu et ne clignotent pas. Assurez-vous que rien n'est accroché ou monté sur la porte qui pourrait interrompre la trajectoire du capteur lors de la fermeture.
5	5	La porte ne se ferme pas lorsque la minuterie de fermeture ou l'application myQ® pour téléphone intelligent est utilisée.	La lampe DEL intelligente doit être installée pour permettre d'utiliser la TTC ou la commande myQ par téléphone intelligent de la porte. Branchez la lampe à DEL télécommandée intelligente et assurez-vous qu'elle est programmée pour l'ouvre-porte de garage.



# Dépannage

## Dépannage supplémentaire

### **L'ouvre-porte de garage ne fonctionne ni à partir de la commande de la porte ni à partir de la télécommande :**

- L'ouvre-porte de garage est-il alimenté en électricité ? Branchez une lampe dans la prise. Si elle ne s'allume pas, vérifiez la boîte de fusible ou le disjoncteur. (Certaines prises sont contrôlées par un interrupteur mural.)
- Avez-vous désactivé tous les verrouillages de porte? Examinez les avertissements relatifs aux instructions d'installation à la page 8.
- Les connexions de câblage sont-elles correctes? Consultez à nouveau l'étape 5 de réglage.
- Y a-t-il une accumulation de glace ou de neige sous la porte? La porte pourrait être gelée au sol. Retirez tout ce qui pourrait bloquer.
- Le ressort de la porte de garage est peut-être cassé. Faites-le remplacer (reportez-vous à la page 3 pour référence).

### **L'ouvre-porte fonctionne à partir du poste de commande à bouton unique, mais pas à partir d'une télécommande :**

- Reprogrammez la télécommande et remplacez la pile si nécessaire. Répétez l'opération avec toutes les télécommandes.

### **La porte s'ouvre et se ferme toute seule :**

- Assurez-vous que tous les boutons poussoirs de la télécommande sont éteints.
- Retirez le fil de la sonnette des bornes du poste de commande à bouton unique et faites-le fonctionner uniquement à partir de la télécommande. Si cela résout le problème, soit le poste de commande à bouton unique est défectueux, soit il y a un court-circuit intermittent dans le fil. Remplacez le poste de commande.
- Effacez la mémoire et reprogrammez toutes les télécommandes (reportez-vous aux instructions fournies avec la télécommande ou visitez le site support.chamberlaingroup.com).

### **Ma télécommande n'active pas la porte de garage :**

- Vérifiez que la fonction de verrouillage n'est pas activée sur la commande de la porte.
- Reprogrammez la commande de la porte.
- Si la télécommande n'active toujours pas la porte, vérifiez les codes de diagnostic pour vous assurer que l'ouvre-porte de garage fonctionne correctement.

### **La télécommande a une courte portée :**

- Changez l'emplacement de la télécommande dans votre voiture.
- Certaines installations peuvent avoir une portée plus courte en raison d'une porte métallique, d'une isolation à feuille d'aluminium ou d'un revêtement métallique de garage.

### **La porte arrête ou remonte aux limites de l'ouverture, l'ouvre-porte émet un bip et les lumières clignent 5 fois.**

- Quelque chose obstrue-t-il la porte? Est-elle déséquilibrée ou y a-t-il des ressorts brisés? Retirez l'obstruction ou appelez un technicien qualifié en systèmes de portes pour réparer la porte.

### **La porte n'ouvre pas complètement :**

- Vérifiez le verrouillage électrique de porte.

### **La porte ouvre, mais ne se ferme pas :**

- Le capteur d'inversion de sécurité doit être connecté et aligné correctement avant que l'ouvre-porte de garage fasse descendre la porte. Si vous êtes en mesure de fermer la porte en exerçant une pression constante, vérifiez que les capteurs d'inversion de sécurité sont correctement installés, alignés et libres de toute obstruction (voir page 12).

### **La porte s'inverse sans raison apparente :**

- Dégagez toute glace ou neige de la zone du plancher du garage où la porte se ferme.
- Réviser l'étape 1 de réglage.

Refaites le test d'inversion de sécurité après les ajustements.

### **Ma porte ne se ferme pas :**

- Le capteur d'inversion de sécurité doit être connecté et aligné correctement avant que l'ouvre-porte de garage ne se déplace dans le sens de la descente.
- Vérifiez que les capteurs d'inversion sont installés et alignés correctement et qu'ils ne sont pas obstrués.

### **L'ouvre-porte de garage semble forcer pour ouvrir la porte :**

- La porte est peut-être déséquilibrée ou les ressorts sont peut-être cassés. Fermez la porte et utilisez la poignée de déclenchement d'urgence pour déconnecter la porte. Ouvrez et fermez la porte manuellement. Une porte adéquatement équilibrée restera à n'importe quel endroit du déplacement tout en étant entièrement supportée par ses ressorts. Si ce n'est pas le cas, déconnectez l'ouvre-porte de garage et appelez un technicien qualifié en systèmes de porte.

### **Le moteur de l'ouvre-porte de garage émet un bref bourdonnement, puis ne fonctionne pas :**

- Les ressorts de la porte de garage sont peut-être cassés. Voir ci-dessus.
- Si le problème se produit lors du premier fonctionnement de l'ouvre-porte de garage, il se peut que la porte soit verrouillée. Désactivez le verrouillage électrique de la porte.

### **L'ouvre-porte de garage ne fonctionnera pas en raison d'un manque d'alimentation électrique :**

- Désactivez manuellement le verrouillage électrique de la porte.

# Dépannage

## Dépannage supplémentaire (suite)

- Utilisez la poignée de déverrouillage d'urgence pour déconnecter la porte. La porte peut être ouverte et fermée manuellement. Lorsque l'alimentation en électricité est rétablie, tirez sur le déclenchement manuel une deuxième fois.
- En mode de secours par batterie, l'ouvre-porte devrait pouvoir fonctionner jusqu'à 20 fois.
- Désactivez tous les verrous de porte.
- Utilisez la poignée de déverrouillage d'urgence pour déconnecter la porte. La porte peut être ouverte et fermée manuellement. Lorsque l'alimentation en électricité est rétablie, tirez sur le déclenchement manuel une deuxième fois.
- En mode de secours sur batterie, la durée de vie de la batterie est de 30 heures ou jusqu'à 20 cycles sur une période de 24 heures.

### La porte perd ses limites :

- Collier mal serré. Serrez le collier et reprogrammez les limites (voir l'étape de réglage 3).

### L'ouvre-porte de garage se déplace lorsque la porte fonctionne :

- Un léger mouvement est normal pour ce produit. Si les mouvements sont excessifs, le collier peut être usé de façon prématurée.
- Vérifiez que la barre de torsion ne se déplace pas excessivement vers la gauche ou la droite.
- Vérifiez que la barre de torsion ne bouge pas visiblement de haut en bas lorsqu'elle tourne.
- Vérifiez que l'ouvre-porte est monté à angle droit par rapport à l'arbre du vérin. Sinon, déplacez le support de fixation.

### Le connecteur de la serrure de porte automatique ne s'adapte pas à la fiche de l'ouvre-porte :

Les anciens modèles de verrou de porte 24 V sont incompatibles. Utilisez le verrou de porte automatique modèle 841LM, voir la page Accessoires.

### La serrure automatique de la porte du garage ne s'active pas lorsque la porte du garage s'ouvre ou se ferme :

En mode batterie de secours, la serrure automatique de porte de garage se déverrouille lorsque la porte de garage est ouverte et reste désactivée jusqu'à ce que le courant soit rétabli.

### L'ouvre-porte fait des bips :

- Indique une fermeture non surveillée. L'ouvre-porte a été activé par l'application myQ ou le moniteur de garage et de portail.
- Une DEL orange fixe accompagnée d'un signal sonore, émise toutes les 2 secondes environ, indique que l'ouvre-porte fonctionne sur batterie.
- Un voyant à DEL orange clignotant accompagné d'un bip sonore toutes les 30 secondes indique que la batterie est faible.
- Une DEL rouge allumée en continu avec un bip sonore toutes les 30 secondes indique que la batterie 12 V ne tient plus la charge et doit être remplacée.

### La porte de garage émet un signal sonore et le voyant rouge clignote :

La charge de la batterie est faible ou la batterie est morte.

- Remplacez la batterie.

### La commande par téléphone intelligent myQ, les dispositifs myQ sans fil et la minuterie de fermeture ne fonctionnent pas :

- En mode Batterie de secours, la commande par téléphone intelligent myQ, les appareils sans fil myQ et le minuteur de fermeture sont désactivés.
- La lampe DEL intelligente doit être installée pour permettre d'utiliser la TTC ou la commande myQ par téléphone intelligent de la porte. Branchez la lampe à DEL télécommandée intelligente et assurez-vous qu'elle est programmée pour l'ouvre-porte de garage. L'activation de la minuterie de fermeture et de la commande par téléphone intelligent myQ peut prendre jusqu'à 5 minutes.

### La porte se déplace plus rapidement ou plus lentement que prévu :

- Vérifiez que le réglage des tambours est approprié en suivant les étapes indiquées à la page 7 du manuel.

### La vitesse de la porte varie en fonction de la course :

- Vérifiez que le réglage des tambours est approprié en suivant les étapes indiquées à la page 7 du manuel.

### Déroulement du câble en cas d'obstruction près de la limite supérieure

- Si le câble se déroule, veuillez demander à un revendeur de portes professionnel d'effectuer la réparation.

AVIS : Cet appareil est conforme à la partie 15 du règlement de la FCC ainsi qu'avec le CNR exempt de licence d'Innovation, Science et Développement économique Canada. Son utilisation est soumise aux deux conditions suivantes : (1) cet appareil ne doit pas causer d'interférences nuisibles, et (2) cet appareil doit accepter toutes les interférences reçues, y compris les interférences qui peuvent causer le fonctionnement indésirable de l'appareil.

Les modifications ou les changements non expressément approuvés par la partie responsable de la conformité peuvent annuler l'autorité de l'utilisateur à utiliser l'équipement.

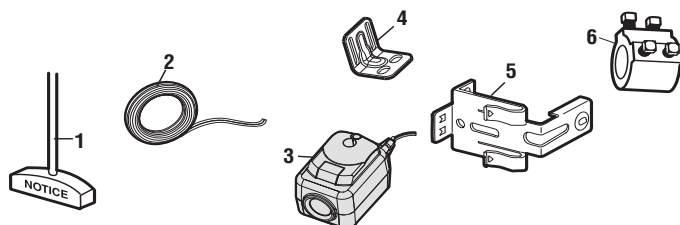
Cet appareil doit être installé pour qu'une distance minimum de 20 cm (8 po) soit maintenue entre les utilisateurs, les passants et l'appareil.

Cet appareil a été testé et s'est avéré conforme aux limites d'un appareil numérique de classe B selon la partie 15 des règlements de la FCC et des normes ICES d'Industrie Canada. Ces limites ont pour objet de fournir une protection raisonnable contre les interférences nuisibles dans une installation résidentielle. Cet équipement produit, utilise et peut rayonner de l'énergie radiofréquence et, s'il n'est pas installé et utilisé conformément aux instructions, il risque de causer des interférences nuisibles aux communications radio. Toutefois, il n'est pas possible de garantir l'absence d'interférences dans une installation particulière. Si cet équipement cause des interférences nuisibles à la réception radio ou TV, ce qui peut être déterminé en l'éteignant puis en le rallumant, l'utilisateur est invité à essayer de corriger l'interférence en prenant au moins l'une des mesures suivantes :

- Réorientez ou déplacez l'antenne de réception.
- Augmentez la distance entre l'équipement et le récepteur.
- Connectez l'équipement à une prise située sur un circuit différent de celui auquel le récepteur est connecté.
- Consultez le revendeur ou un technicien radio/TV expérimenté pour obtenir de l'aide.

# Pièces détachées

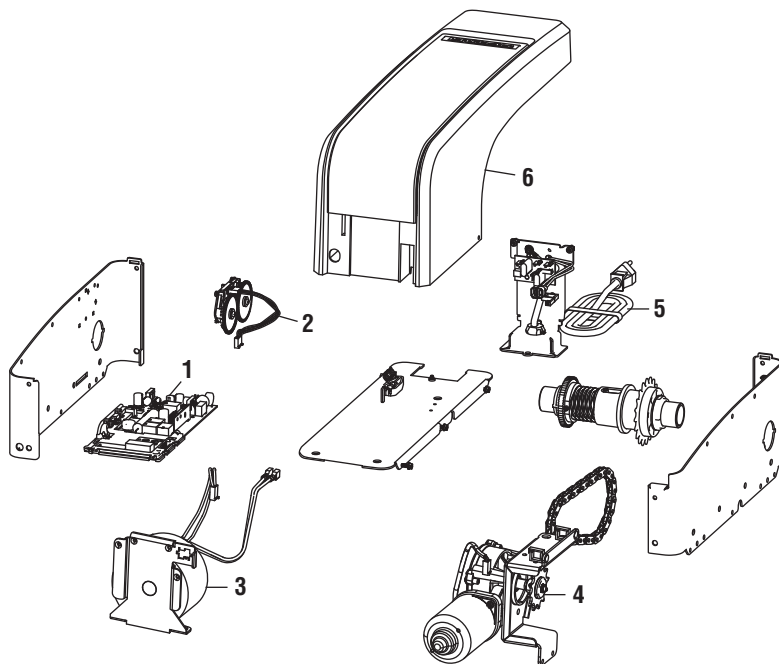
## Pièces d'installation



N° CLÉ	N° PIÈCE	DESCRIPTION	N° CLÉ	N° PIÈCE	DESCRIPTION
1	041A4582	Ensemble corde et poignée de déclenchement d'urgence	4	041C0902	Support de montage
2	041B4494-1	Fil de sonnette à 2 conducteurs - blanc et blanc/rouge	5	041-0155-000	Supports de capteur d'inversion de sécurité (2)
3	041-0136	Kit de capteurs d'inversion de sécurité (capteurs récepteurs et émetteurs) avec fil de sonnette à 2 conducteurs attaché	6	041D8615	Collier avec vis de fixation

# Pièces détachées

## Pièces d'assemblage de l'ouvre-porte de garage



N° CLÉ	N° PIÈCE	DESCRIPTION	N° CLÉ	N° PIÈCE	DESCRIPTION
1	041DJ003MC	Carte logique	5	041D0190	Cordon d'alimentation
2	041B8861	Module de déplacement avec faisceau de câbles	6	041-0407-000	Couvercle
3	041C0296	Transformateur			<b>NON ILLUSTRÉ</b>
4	041D1624-2	Moteur		041-0408-000	Porte de la batterie et porte de la carte logique

## Coordonnées de contact

### ARRÊTEZ!

L'ouvre-porte de garage **NE FONCTIONNERA PAS** tant que les capteurs d'inversion de sécurité ne sont pas installés et alignés correctement.

Adressez votre commande de pièces de rechange à :

**The Chamberlain Group, Inc.**  
6020 S. Country Club Rd.  
Tucson, AZ 85706

Pour l'information sur l'installation et le service, visitez-nous en ligne à :  
**support.chamberlaingroup.com**

*Avant d'appeler, veuillez avoir en main le numéro de modèle de l'ouvre-porte de garage. Si vous nous appelez concernant un dépannage, il est recommandé que vous ayez accès à votre ouvre-porte de garage pendant que vous appelez. Si vous commandez une pièce de remplacement, veuillez avoir en main les informations suivantes : numéro de la pièce, le nom de la pièce et le numéro de modèle.*

# Accessoires

Découvrez les accessoires et les pièces de rechange sur [www.Chamberlain.com](http://www.Chamberlain.com).

## G940EV-P2

### Clavier sans fil :

Pour utilisation à l'extérieur de la maison pour permettre l'accès au garage en utilisant un code à 4 chiffres. Fonctionne avec TOUS les ouvre-portes Chamberlain de 1993 à aujourd'hui. Compatible avec myQ®.



## G953EV

### Télécommande à 3 boutons :

Comprend une pince pour le pare-soleil.



## G956EV

### Commande à distance porte-clés

Fonctionne avec TOUS les ouvre-portes Chamberlain de 1993 à aujourd'hui. Compatible avec myQ®. Avec un anneau pour les clés.



## 041A5281-1

### Supports d'extension :

(Optionnels) Pour l'installation du capteur d'inversion de sécurité sur un mur ou le plancher.



## ACCESSOIRES FOURNIS

## G950ESTD

### Commande à distance :

Comprend une pince pour le pare-soleil.



## 041A7327-1

### Panneau de commande à détection de mouvement



## MYQLED1

Lampe à DEL intelligente

Permet au propriétaire d'allumer une lampe de travail depuis sa voiture avec la télécommande de son ouvre-porte de garage ou depuis n'importe où dans sa maison avec une télécommande Chamberlain® supplémentaire.



## GARANTIE LIMITÉE CHAMBERLAIN

Chamberlain Group (le « Vendeur ») garantit au premier acheteur au détail de ce produit, pour la résidence dans laquelle ce produit est installé à l'origine, qu'il est exempt de défauts de matériaux et/ou de fabrication pendant une période spécifique définie ci-dessous (la « Période de garantie »). La période de garantie commence à partir de la date de l'achat.

PÉRIODE DE GARANTIE			
Pièces	Moteur	Accessoires	Batterie de secours
5 ans	À vie	1 an	1 an

Le bon fonctionnement de ce produit dépend de votre respect des instructions concernant l'installation, le fonctionnement, l'entretien et les tests. Le fait de ne pas se conformer strictement à ces instructions annulera la présente garantie limitée dans son intégralité.

Si, pendant la Période de garantie limitée, ce produit semble présenter un défaut couvert par cette garantie limitée, appelez le 1-800-528-9131, sans frais, avant de démonter ce produit. Lorsque vous appelez, vous serez avisé des instructions de désassemblage et d'expédition. Vous pourrez ensuite envoyer le produit ou ses pièces en port payé et assuré selon les instructions de notre centre de services pour la réparation sous garantie. Veuillez inclure une brève description du problème et la preuve d'achat comportant une date avec tout produit retourné pour réparation sous garantie. Les produits retournés au Vendeur pour réparation en vertu de la garantie et dont la défectuosité et la couverture de la garantie sont confirmés dès la réception par le Vendeur seront réparés ou remplacés (à l'entière discrétion du Vendeur) sans frais pour vous et retournés en envoi prépayé. Les pièces défectueuses seront réparées ou remplacées avec des pièces neuves ou remises à neuf à la seule discrétion du vendeur. [Vous êtes responsable de tous les frais encourus pour retirer et/ou réinstaller le produit ou tout composant].

**TOUTE GARANTIE TACITE POUR CE PRODUIT, Y COMPRIS SANS S'Y LIMITER, TOUTE GARANTIE TACITE DE QUALITÉ COMMERCIALE ET D'ADAPTATION À UNE QUELCONQUE UTILISATION, EST LIMITÉE À LA DURÉE DE LA GARANTIE LIMITÉE CI-DESSUS POUR LES PIÈCES CONNEXES ET LES GARANTIES NON TACITES EXISTERONT OU SERONT APPLIQUÉES APRÈS CETTE PÉRIODE. Certains États et Provinces ne permettent pas de limiter la durée d'une garantie implicite, de sorte que la limitation ci-dessus peut ne pas s'appliquer à vous. LA PRÉSENTE GARANTIE LIMITÉE NE COUVRE PAS LES DOMMAGES NON-DÉFECTUEUX, LES DOMMAGES CAUSÉS PAR UNE INSTALLATION, UNE UTILISATION OU UN ENTRETIEN INAPPROPRIÉS (DONT, SANS TOUÉFOIS S'Y LIMITER, UN ABUS, UNE UTILISATION INCORRECTE, UN MANQUE D'ENTRETIEN RAISONNABLE ET NÉCESSAIRE, DES RÉPARATIONS NON AUTORISÉES OU TOUTE MODIFICATION DE CE PRODUIT), LES FRAIS DE MAIN-D'ŒUVRE POUR LA RÉINSTALLATION D'UNE UNITÉ RÉPARÉE OU REMPLACÉE, LE REMPLACEMENT D'ARTICLES CONSOMMABLES (PAR EXEMPLE, LES PILES DES TÉLÉCOMMANDES ET LES AMPOULES), OU LES UNITÉS INSTALLÉES POUR UN USAGE NON RÉSIDENTIEL. LA PRÉSENTE GARANTIE LIMITÉE NE COUVRE PAS LES PROBLÈMES LIÉS À LA PORTE DE GARAGE OU À LA QUINCAILLERIE DE LA PORTE DE GARAGE, Y COMPRIS, MAIS SANS S'Y LIMITER, LES RESSORTS DE LA PORTE, LES ROULEAUX DE LA PORTE, L'ALIGNEMENT DE LA PORTE OU LES CHARNIÈRES. LA PRÉSENTE GARANTIE LIMITÉE NE COUVRE PAS NON PLUS LES PROBLÈMES CAUSÉS PAR DES INTERFÉRENCES. EN AUCUN CAS, LE VENDEUR NE POURRA ÊTRE TENU RESPONSABLE DES DOMMAGES CONSÉCUTIFS, ACCIDENTELS OU SPÉCIAUX LIÉS À L'UTILISATION OU À L'IMPOSSIBILITÉ D'UTILISER CE PRODUIT. EN AUCUN CAS, LA RESPONSABILITÉ DU VENDEUR EN CAS DE RUPTURE DE GARANTIE, DE RUPTURE DE CONTRAT, DE NÉGLIGENCE OU DE RESPONSABILITÉ STRICTE NE POURRA DÉPASSER LE COÛT DU PRODUIT COUVERT PAR LES PRÉSENTES. PERSONNE N'EST AUTORISÉ À ASSUMER POUR NOUS TOUTE AUTRE RESPONSABILITÉ AYANT TRAIT À LA VENTE DE CE PRODUIT.**

Certains États et Provinces n'autorisant pas l'exclusion ou la limitation des dommages consécutifs, accessoires ou spéciaux, il est possible que la limitation ou l'exclusion susmentionnée ne s'applique pas à vous. La présente garantie limitée vous donne des droits légaux spécifiques, et vous pouvez également avoir d'autres droits, qui varient d'un État à l'autre et d'une Province à l'autre.

# Guide de sécurité et d'entretien de l'ouvre-porte de garage automatique

## Sécurité de l'ouvre-porte de garage – Une décision automatique

La porte de garage est le plus grand objet mobile d'une maison. Le réglage inapproprié de la porte de garage et de l'ouvre-porte peut entraîner une force mortelle lorsque la porte ferme, ce qui pourrait faire en sorte qu'un enfant ou un adulte soit coincé et se solder par des blessures ou la mort.

L'installation, l'utilisation, l'entretien et les tests appropriés de la porte de garage et de l'ouvre-porte appropriés sont nécessaires pour avoir un système sécuritaire et sans problème.

Une utilisation imprudente ou permettre à des enfants de jouer avec les commandes de l'ouvre-porte ou de l'utiliser sont également des situations dangereuses qui peuvent mener à des conséquences tragiques. Quelques précautions simples peuvent protéger votre famille et vos amis de blessures possibles.

Veuillez examiner les conseils de sécurité et d'entretien qui se trouvent dans la présente brochure et le garder pour consultation future. Vérifiez le fonctionnement de votre porte de garage et de votre ouvre-porte pour vous assurer qu'ils fonctionnent de façon sécuritaire et sans problème.

Assurez-vous de lire toutes les données importantes sur la sécurité qui se trouvent dans votre manuel d'ouvre-porte, car elles contiennent davantage de détails et d'éléments à prendre en considération que ce qui peut être fournis dans la présente brochure.

## L'ouvre-porte de garage n'est pas un jouet.

Parlez avec vos enfants de la sécurité relative à la porte de garage et à l'ouvre-porte. Expliquez les dangers de se retrouver coincé sous la porte.



Tenez-vous loin d'une porte en mouvement.



Gardez **TOUJOURS** les émetteurs et les télécommandes hors de la portée des enfants. Ne pas laisser les enfants jouer avec les émetteurs ou d'autres télécommandes ou les utiliser.



Le bouton-poussoir installé sur le mur devrait être hors de la portée des enfants, à une distance d'au moins 5 pi (1,5 m) de la surface la plus proche sur laquelle on peut se tenir debout et loin de toutes les parties qui peuvent être en mouvement. Installez et utilisez le bouton à un endroit où vous pouvez clairement voir la porte de garage se fermer.



Gardez la porte en vue jusqu'à ce qu'elle se ferme complètement lorsque vous utilisez le bouton-poussoir ou l'émetteur mural.

# L'entretien de routine peut éviter des tragédies

Faites des inspections et des tests de votre porte de garage et votre système d'ouvre-porte tous les mois en tant que partie de votre routine. Relisez le guide de l'utilisateur de la porte ainsi que de l'ouvre-porte. Si vous n'avez pas de guide de l'utilisateur, communiquez avec le fabricant et demandez l'exemplaire pour votre modèle précis. Recherchez le numéro de modèle de votre ouvre-porte au dos du bloc d'alimentation.

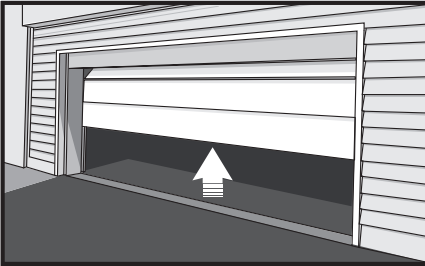
**⚠ AVERTISSEMENT - Les ressorts sont sous tension élevée.  
Seules les personnes qualifiées devraient en faire le réglage.**

## Vérifiez visuellement la porte et l'installation:



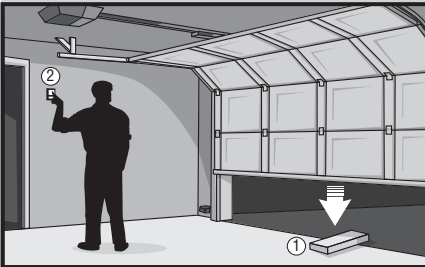
- En commençant avec la porte en position fermée, utilisez la déconnexion manuelle sur l'ouvre-porte pour déconnecter la porte.
- Vérifiez s'il y a des signes d'usure ou de dommage sur les charnières, les rouleaux, les ressorts et les panneaux de la porte.
- Ces pièces peuvent nécessiter une lubrification périodique. Consultez le guide du propriétaire pour connaître l'entretien suggéré.
- S'il y a des signes de dommages évidents, communiquez avec un technicien qualifié en systèmes de portes pour obtenir de l'aide.
- Vérifiez que le capteur n'est pas à plus de 6 po du sol du garage.

## Effectuez un test de la porte pour vérifier qu'elle fonctionne correctement :



- Ouvrez et fermez manuellement la porte à l'aide des poignées ou de points de prise appropriés.
- La porte devrait bouger librement sans difficulté.
- **La porte doit s'équilibrer et rester partiellement ouverte à 3-4 pieds au-dessus du sol.**
- Si vous détectez des signes de fonctionnement inadéquats, communiquez avec un technicien qualifié en systèmes de porte pour obtenir de l'aide.

## Effectuez un test des fonctions de sécurité de l'ouvre-porte :



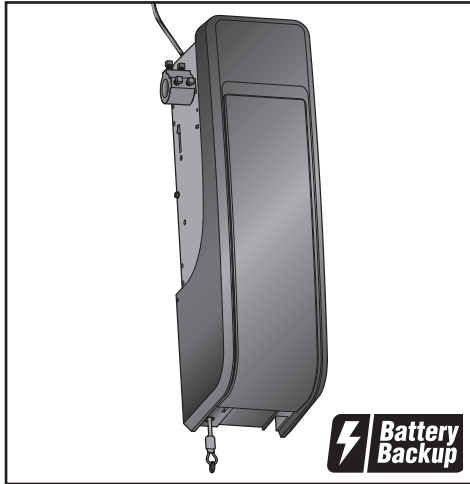
- Reconnectez l'ouvre-porte à la porte en déconnectant manuellement la porte et ouvrez la porte.
- Placez une planche de 2x4 à plat dans le passage de la porte (1) et essayez de la fermer (2). La porte devrait s'arrêter lorsqu'elle entre en contact avec le bloc de 2x4 et remonter.
- Obstruez le capteur photoélectrique en agitant un objet devant le capteur essayez de fermer la porte. La porte ne doit pas se fermer si le bouton-poussoir mural n'est pas maintenu manuellement pendant le fonctionnement.
- Si l'ouvre-porte ne fonctionne pas tel que décrit, communiquez avec un technicien qualifié en systèmes de portes pour obtenir de l'aide.



# Abrepuertas de garaje montado en la pared con Wi-Fi®

## Modelos RJO101

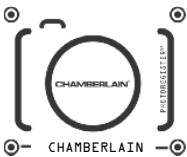
Para uso residencial  
Se instala solo en puertas seccionales con conjuntos de torsión



La instalación de este producto está destinada únicamente a técnicos capacitados en puertas de garaje. Este producto puede requerir ajustes en los resortes de la puerta o las configuraciones de las guías. Este producto no se diseñó para su uso en guías de poca altura con tambores de recogida exteriores ni en puertas de garaje que utilicen resortes de extensión.

- ¡Lea con atención este manual y el material de seguridad adjunto!
- La puerta **NO SE CERRARÁ** a menos que el Protector System® esté conectado y bien alineado.
- Se requieren verificaciones periódicas del abrepuertas de garaje para garantizar el funcionamiento seguro.
- El número de modelo se encuentra en la cubierta frontal del abrepuertas.
- Este abrepuertas de garaje **SOLO** es compatible con accesorios myQ® y Security+ 2.0®.
- Pegue las etiquetas de advertencia en la ubicación indicada en la etiqueta.

Registre su abrepuertas de garaje para recibir actualizaciones y ofertas de Chamberlain



1. Tome una foto del icono de cámara que incluya los puntos (●).

2. Envíela mediante mensaje de texto con la foto al 71403 (EE. UU.) o visite [www.chamberlain.photo](http://www.chamberlain.photo) (Global)



Supervise y controle su garaje desde cualquier lugar y reciba alertas en tiempo real, con tranquilidad.

Las instrucciones paso a paso interactivas y sencillas en 3D de este producto están disponibles en



**BILT** INSTRUCCIONES INTELIGENTES

Descargue la aplicación gratuita BILT antes de ensamblar



Chamberlain  
300 Windsor Drive  
Oak Brook, IL 60523



CHAMBERLAIN

# Índice de contenido

<b>PREPARACIÓN</b>	<b>2</b>	Prueba del sistema de inversión de seguridad	9	<b>MANTENIMIENTO</b>	<b>19</b>
Número de serie de myQ	2	Prueba del Protector System®	9	Cuidado de su abrepuertas de garaje	19
Análisis de símbolos de seguridad y palabras de señalización	2	<b>AJUSTE</b>	<b>10</b>	<b>RESOLUCIÓN DE PROBLEMAS</b>	<b>20</b>
Funcionamiento sin supervisión	2	Prueba de la traba eléctrica de la puerta	10	Tabla de diagnóstico	20
Planificación	3	Prueba de la liberación de emergencia	10	Resolución de problemas adicionales	21
Antes de conectarlo con su smartphone	4	<b>FUNCIONAMIENTO</b>	<b>11</b>	<b>PIEZAS DE REPUESTO</b>	<b>23</b>
Preparación de la puerta de garaje	5	Cómo usar el abrepuertas de garaje	12	Piezas de instalación	23
Herramientas necesarias	5	Conexión con su smartphone	13	Piezas de ensamblaje del abrepuertas de garaje	24
Inventario en caja	6	Uso del control de la puerta	14	<b>INFORMACIÓN DE CONTACTO</b>	<b>24</b>
<b>AJUSTE</b>	<b>7</b>	Cómo usar el control remoto	15	<b>GARANTÍA</b>	<b>26</b>
Identificación del perfil de la puerta	7	<b>PROGRAMACIÓN</b>	<b>16</b>	<b>GUÍA DE SEGURIDAD Y MANTENIMIENTO DEL ABREPUERTAS AUTOMÁTICO DE GARAJE</b>	<b>27</b>
Establecimiento del perfil de la puerta	7	Programación de la luz LED inteligente	17		
Programación del recorrido	8	Cómo borrar la memoria	17		
Configuración de la fuerza automática	8	HomeLink®	18		

## Preparación

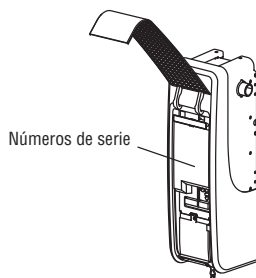
### Número de serie de myQ

Escriba la información siguiente para referencia futura:

Número de serie de myQ:

Número de serie del producto:

Fecha de compra:



### Análisis de símbolos de seguridad y palabras de señalización

Este abrepuertas de garaje se ha diseñado y probado para ofrecer un servicio seguro siempre que se instale, opere, mantenga y pruebe en estricto cumplimiento de las instrucciones y advertencias de este manual.

Cuando vea estos símbolos de seguridad y palabras de señalización en las páginas siguientes, le alertarán de la posibilidad de **lesiones graves o la muerte** si no cumple con las advertencias que los acompañan. El peligro puede provenir de algo mecánico o de una descarga eléctrica. Lea las advertencias con detenimiento.

Cuando vea esta palabra de señalización en las páginas siguientes, le alertará de la posibilidad de daños a la puerta de garaje o al abrepuertas de garaje si no cumple con las declaraciones de precaución que la acompañan. Léalas con atención.



**ADVERTENCIA:** Con este producto, puede exponerse a sustancias químicas, incluido el plomo, que el Estado de California reconoce como causantes de cáncer o anomalías congénitas u otros daños reproductivos. Para obtener más información, visite [www.P65Warnings.ca.gov](http://www.P65Warnings.ca.gov).

**ADVERTENCIA**

Mecánica

**ADVERTENCIA**

Eléctrica

**PRECAUCIÓN**

### Funcionamiento sin supervisión

La función Temporizador de cierre (TTC), la aplicación myQ de control por smartphone y el monitor de puerta de garaje y compuerta myQ son ejemplos de cierres sin supervisión y SOLO deben utilizarse con puertas seccionales. Cualquier dispositivo o función que permita que la puerta se cierre sin estar en la línea de visión de la puerta se considera un cierre sin supervisión. La función Temporizador de cierre (TTC), el control por smartphone myQ y cualquier otro dispositivo myQ SOLO deben usarse con puertas seccionales.

Se debe instalar la luz LED para habilitar el uso del Temporizador de cierre o el control por smartphone myQ de la puerta.

# Preparación

## Planificación

Examine el área para ver si se aplica alguna de las condiciones siguientes a su instalación. Tome nota de los tamaños de los tambores para asegurarse de que son correctos. En función de sus necesidades, podrían requerirse materiales adicionales.

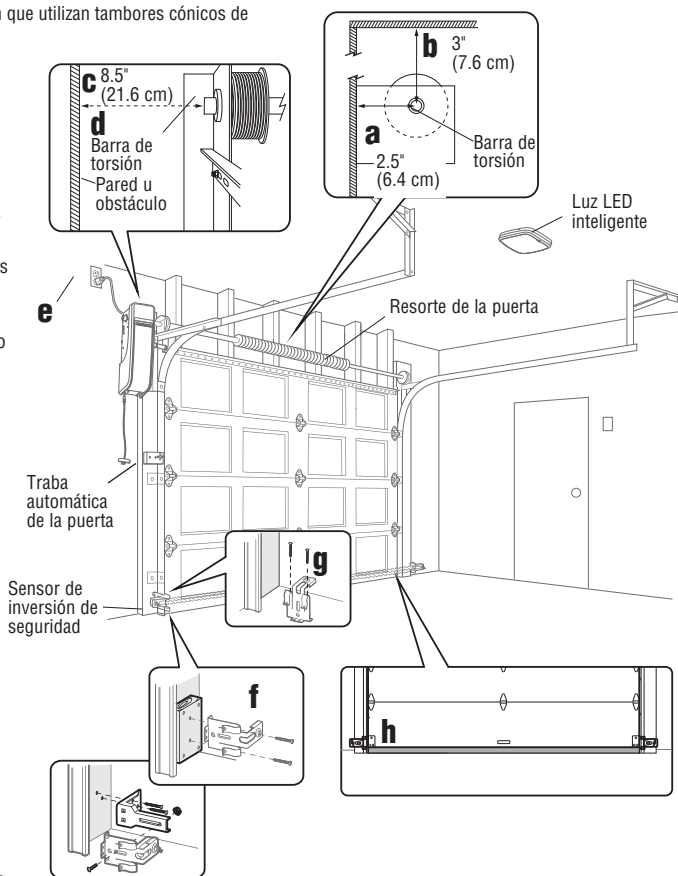
### EL ABREPUERTAS ES COMPATIBLE CON:

- Puertas que usan una barra de torsión y resortes. La barra de torsión debe tener 1" (2.5 cm) de diámetro. NO es compatible con tambores de bobinado inverso.
- Puertas seccionales de elevación estándar que utilizan tambores de 4 a 6" (10-15 cm) de diámetro.  
Tambores rectos de 4 a 6" (10-15 cm).
- Tambores de 3 a 3.9" (de 7.6-9.9 cm) en puertas de hasta 430 lb. (195.4 Kg)
- Puertas seccionales de elevación en alto (hasta 54" [137.2 cm] de alto) y de elevación estándar de hasta 14 pies (4.3 m) de alto.
- Puertas seccionales de gran elevación que utilizan tambores cónicos de 8" (20 cm) de diámetro.
- Puertas seccionales de elevación vertical que utilizan tambores cónicos de 8" (20 cm) de diámetro.
- Puertas de hasta 18 pies (5.5 m) de ancho.

Revise o inspeccione el área de instalación propuesta. El abrepuertas se puede instalar del lado izquierdo o derecho de la puerta. Seleccione el lado que cumpla los requisitos indicados a continuación.

- Debe tener un mínimo de 2.5" (6.4 cm) entre la pared y el centro de la barra de torsión.
- Debe tener un mínimo de 3" (7.6 cm) entre el techo y el centro de la barra de torsión.
- Debe tener un mínimo de 8.5" (21.6 cm) entre la pared lateral (u obstrucción) y el extremo de la barra de torsión.
- La barra de torsión se debe extender al menos 1.5" (3.81 cm) por sobre el cojinete. Esto puede variar en función de los requisitos de su instalación.
- Se requiere un tomacorriente eléctrico dentro de 6 pies (1.83 m) del área de instalación. Si no hay un tomacorriente, póngase en contacto con un electricista calificado.
- En función de la construcción del edificio, tal vez sean necesarios soportes de extensión o bloques de madera para instalar sensores de inversión de seguridad y el monitor de tensión del cable.
- El montaje alternativo en el piso de los sensores de inversión de seguridad requerirá herrajes (no se suministran).
- Verifique el sello en la parte inferior de la puerta. Cualquier vacío entre el piso y la parte inferior de la puerta no debe exceder 1/4 de pulgada (6 mm). De lo contrario, el sistema de inversión de seguridad podría no funcionar de forma correcta.

**NOTA:** Inspeccione la barra de torsión mientras la puerta se sube y se baja. Es importante que no haya un movimiento observable hacia arriba o hacia abajo ni hacia la izquierda o hacia la derecha. Si no se corrige el movimiento, la vida útil del abrepuertas de garaje se verá ampliamente reducida.



# Preparación

## Antes de conectarlo con su smartphone

Supervise y controle su puerta de garaje desde cualquier lugar mediante la aplicación myQ.

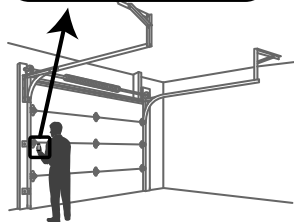
### ANTES DE COMENZAR, ASEGÚRESE DE REALIZAR LO SIGUIENTE:

Necesitará:

- Wi-Fi habilitado en un smartphone, una tableta o una computadora portátil
- Conexión a Internet de banda ancha
- Señal Wi-Fi en el garaje (**se requiere 2.4 GHz, 802.11b/g/n**)
- Contraseña para su internet doméstica (la cuenta principal del enrutador, no la red de invitados)

### PRUEBE LA INTENSIDAD DE LA SEÑAL WI-FI

Asegúrese de que su dispositivo móvil esté conectado a su red Wi-Fi. Sostenga el dispositivo móvil en el lugar donde se instalará el abrepuertas de garaje y compruebe la intensidad de la señal Wi-Fi.



Compruebe la intensidad de la señal. Si observa lo siguiente:



**La señal Wi-Fi es potente.**  
El abrepuertas de garaje se conectará a su red Wi-Fi.



**La señal Wi-Fi es débil.**  
El abrepuertas de garaje podría conectarse a su red Wi-Fi. De lo contrario, recurra a una de las siguientes opciones para mejorar la señal Wi-Fi:



**No hay señal de Wi-Fi.**  
El abrepuertas de garaje no se conecta a su red Wi-Fi. Recorra a una de las siguientes opciones para mejorar la señal Wi-Fi:

- Acerque el enrutador al abrepuertas de garaje para minimizar las interferencias de las paredes y otros objetos.
- Compre un extensor de alcance del Wi-Fi.

Para obtener especificaciones de enrutadores compatibles y ayuda, visite [support.chamberlaingroup.com](http://support.chamberlaingroup.com). Consulte la página 13 para conectar el abrepuertas de garaje a un dispositivo móvil.

# Preparación

## Prepare la puerta de su garaje

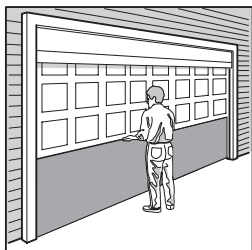
### ANTES DE COMENZAR, ASEGÚRESE DE REALIZAR LO SIGUIENTE:

- Desactive las trabas.
- Quite las sogas conectadas a la puerta de garaje.

Complete la prueba siguiente para asegurarse de que la puerta de garaje esté balanceada y no se adhiera o trabe:

1. Levante la puerta hasta la mitad. Suéltela. Si está balanceada, debe quedarse en su lugar, sostenida por completo por los resortes.
2. Levante y baje la puerta para verificar si se adhiere o se traba.
3. Una puerta correctamente balanceada NO debería abrirse ni caer rápidamente.

Si la puerta se atora, adhiere o no está balanceada, llame a un técnico capacitado en sistemas de puertas.



Puerta seccional

## ⚠ ADVERTENCIA

Siga las siguientes indicaciones para evitar posibles LESIONES GRAVES o la MUERTE:

- Llame SIEMPRE a un técnico capacitado en sistemas de puertas si la puerta de garaje se atora, adhiere o no está balanceada. Una puerta de garaje no balanceada podría NO invertirse cuando se necesita.
- NUNCA intente aflojar, mover o ajustar la puerta de garaje, resortes de puerta, cables, poleas, soportes o su herraje; TODOS están bajo tensión EXTREMA.
- Deshabilite TODAS las trabas y quite TODAS las sogas conectadas a la puerta de garaje ANTES de instalar el abrepuertas de garaje para evitar enredos.
- Este sistema de apertura está equipado con una función de funcionamiento sin supervisión. La puerta podría moverse de forma inesperada. NADIE DEBE CRUZARSE POR EL CAMINO DE LA PUERTA EN MOVIMIENTO.

## ⚠ PRECAUCIÓN

Para evitar daños en la puerta de garaje y el abrepuertas:

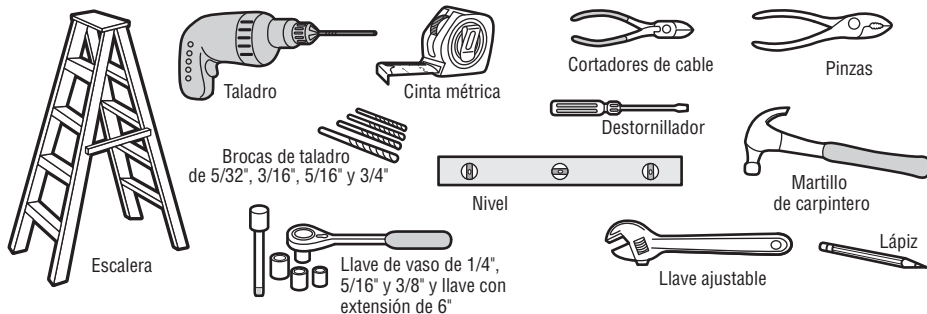
- Deshabilite SIEMPRE los bloqueos ANTES de instalar y operar el abrepuertas.
- SOLO use el abrepuertas de garaje a 120 V, 60 Hz para evitar averías y daños.

### ESPECIFICACIONES

Voltios . . . . .	120 Vac - 60 Hz ÚNICAMENTE
Corriente . . . . .	1.5 A
Corriente de luz LED (con alimentación independiente) . . . . .	0.2 A

## Herramientas necesarias

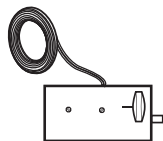
Durante el montaje, la instalación y el ajuste del abrepuertas de garaje, las instrucciones requerirán herramientas de mano como se indica a continuación.



# Preparación

## Inventario en la caja

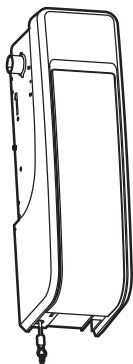
Si falta algo, verifique cuidadosamente el material de embalaje.



Traba para puerta de garaje automática con cable de timbre de 2 conductores blanco y blanco/negro con conector  
**NOTA:** Las trabas para puertas de 24 V del modelo anterior son incompatibles.



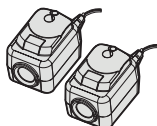
Soporte de montaje



Abrepuertas de garaje



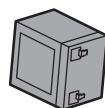
Cable de timbre de 2 conductores de color blanco y blanco/rojo



El sistema Protector System (2) Sensores de inversión de seguridad (1 sensor emisor y 1 sensor receptor) con cable de timbre de 2 conductores blanco y blanco/negro conectado



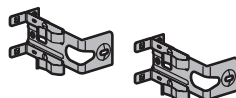
Collarín con tornillos de fijación



Batería



Etiquetas de seguridad y documentación



Soporte del sensor de inversión de seguridad (2)

## ACCESORIOS INCLUIDOS



Panel de control de detección de movimiento



Control remoto premium de un botón Modelo 950ESTD (1)



Presilla del visor del control remoto



Luz LED Inteligente myQLED1 (luz para abrepuertas de garaje) con bolsa para herrajes

## HERRAJES

Tornillo #10-32 (2)  
Tornillo 14-10x2" (2)  
Manija  
Soga  
Tornillo 1/4"-20x1/2" (2)

Tornillo 6ABx1-1/4" (2)  
Anclaje para yeso (2)  
Tornillo 6-32x1" (2)  
Perno redondo, 1/4"-20x1/2" (2)  
Tuerca de mariposa, 1/4"-20 (2)

**LUZ LED INTELIGENTE:**  
Anclajes para yeso (atornillables) (2)  
Tornillo #6x1" (2)

# Ajuste

## 1 Identificación del perfil de la puerta

Para identificar el número de perfil de la puerta, mida el diámetro completo del tambor basándose en las imágenes siguientes.

**NOTA:** Este paso es importante para garantizar el correcto funcionamiento de la unidad.

Para ver un video que demuestra cómo identificar y establecer el perfil de la puerta, escanee el código QR.



### **ADVERTENCIA**

Para evitar posibles LESIONES GRAVES o la MUERTE, siga las instrucciones de selección y ajuste del perfil de la puerta para un funcionamiento seguro y correcto.

#### **Puerta seccional de elevación estándar**

- Perfil de la puerta 1 = Puerta de peso estándar a pesado\* con tambor de 4" (recomendado).
- Perfil de la puerta 2 = Puerta ligera con tambor de 4".
- Perfil de la puerta 3 = Puerta pesada\* con tambor de 6".
- Perfil de la puerta 4 = Puerta ligera con tambor de 6".

\*NOTA: El tamaño de los tambores varía según el fabricante.

Para las puertas seccionales de elevación estándar:

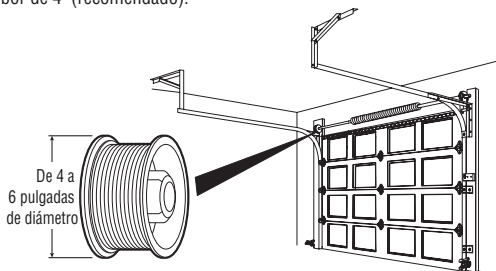
•Para tambores de 5" o menos, utilice un tambor de 4".

•Para tambores de más de 5", utilice un tambor de 6".

Si no se tiene seguridad sobre el peso de la puerta, elija una de las siguientes opciones:

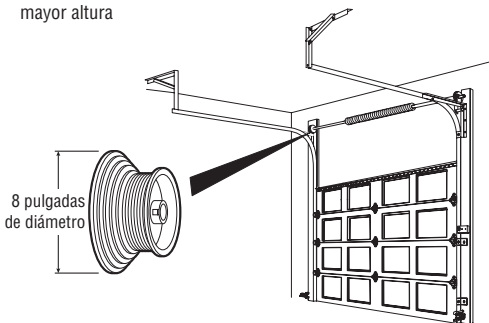
Perfil de la puerta 1 para el tambor de 4".

Perfil de la puerta 3 para el tambor de 6".



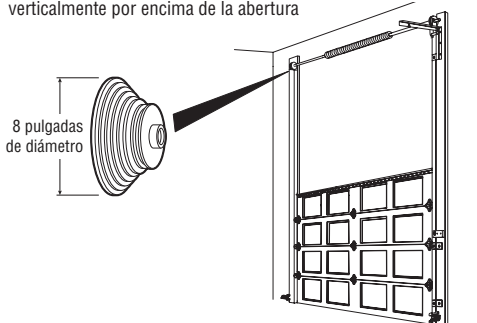
#### **Puerta de elevación alta**

- Perfil de la puerta 5 = Tambor cónico con rieles que se elevan a mayor altura



#### **Puerta seccional de elevación vertical**

- Perfil de la puerta 5 = Tambor cónico con rieles que se elevan verticalmente por encima de la abertura



## 2 Establecimiento del perfil de la puerta

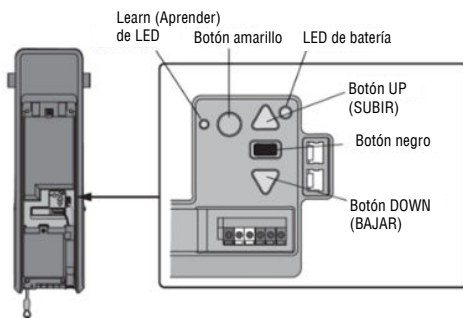
1. Para entrar en el modo Set Door Profile (Establecer el perfil de la puerta), mantenga presionado el botón negro durante un segundo. Los botones UP (SUBIR) y DOWN (BAJAR) se vuelven de color constante.
2. Para establecer el perfil de la puerta, presione los botones UP (SUBIR) y DOWN (BAJAR). El botón LED Learn (Aprender) parpadea y emite un pitido al cambiar el ajuste. La cantidad de parpadeos del botón LED Learn (Aprender) indica el perfil que seleccionó. No hay ningún ajuste de perfil de puerta preestablecido.
3. Presione y suelte el botón negro para ajustar el perfil de puerta. Este proceso ya se completó. Proceda al modo de aprendizaje del recorrido.

#### **AJUSTE DEL NÚMERO DE PERFIL DE LA PUERTA DE SALIDA**

Si no se realiza ninguna selección en 4.5 minutos, el modo de selección de perfil de puerta se cancelará con un pitido largo.

### **ADVERTENCIA**

Para evitar posibles LESIONES GRAVES o la MUERTE, después de CUALQUIER cambio en el perfil de la puerta, re programe los límites.



# Ajuste

## 3 Programación del recorrido

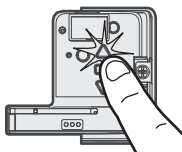
### ⚠ ADVERTENCIA

Sin un sistema de inversión de seguridad instalado de forma correcta, las personas (en particular, los niños pequeños) podrían sufrir LESIONES GRAVES o MORIR como consecuencia del cierre de la puerta del garaje.

- Un ajuste incorrecto de los límites de recorrido de la puerta del garaje interferirá con la operación correcta del sistema de inversión de seguridad.
- Después de realizar CUALQUIER ajuste, DEBE probarse el sistema de inversión de seguridad. La puerta DEBE invertir su dirección de movimiento al entrar en contacto con un objeto de 1-1/2" (3.8 cm) de alto (o de 2x4 colocado horizontalmente) sobre el piso.

**NOTA:** Mientras programa el desplazamiento, los botones UP (SUBIR) y DOWN (BAJAR) se pueden usar para mover la puerta según sea necesario. Durante la configuración de fuerza automática, la puerta se abrirá y cerrará automáticamente.

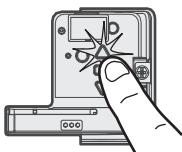
**1** Mantenga presionado el botón de ajuste hasta que el botón UP (SUBIR) comience a parpadear o se escuche un pitido. Los sensores de inversión de seguridad estarán desconectados durante el proceso de programación del recorrido.



**2** Mantenga presionado el botón UP (SUBIR) hasta que la puerta alcance la posición de SUBIDA deseada.



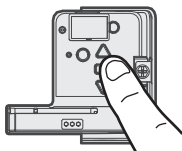
**3** Una vez que la puerta esté en la posición de SUBIDA deseada, presione y suelte el botón de Ajuste. Las luces del abrepuertas de garaje parpadearán dos veces y el botón DOWN (BAJAR) comenzará a parpadear.



**4** Mantenga presionado el botón DOWN (BAJAR) hasta que la puerta alcance la posición de BAJADA deseada.



**5** Una vez que la puerta esté en la posición de BAJADA deseada, presione y suelte el botón de Ajuste. Las luces del abrepuertas de garaje parpadearán dos veces. Se completó el proceso de programación del recorrido. Si las luces del abrepuertas de garaje parpadean 5 veces, entonces se ha llegado al límite de tiempo de programación y los límites de desplazamiento no se han fijado. Reinicie el proceso de programación del recorrido.



## 4 Configuración de fuerza automática

Una vez establecidas manualmente las posiciones de subida y bajada, los sensores de inversión de seguridad se reconectarán y se tomarán operacionales. Luego, el abrepuertas ingresará en una operación de detección de fuerza al mover la puerta automáticamente para abrirla y cerrarla. El abrepuertas de garaje emitirá una alerta visual y audible antes de abrir y cerrar la puerta automáticamente. El abrepuertas de garaje emitirá un pitido tres veces, confirmando de este modo que se ha completado con éxito la configuración de fuerza automática. El ajuste está completo.

Si oye un pitido largo después de que la puerta intenta moverse, entonces no se ha completado satisfactoriamente la configuración de fuerza automática. Vuelva a iniciar el procedimiento a partir del paso 1 de Programación del recorrido.





# Ajuste

## 5 Prueba del Sistema de inversión de seguridad

### ⚠ ADVERTENCIA

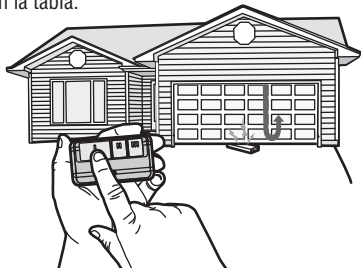
Sin un sistema de inversión de seguridad instalado de forma correcta, las personas (en particular, los niños pequeños) podrían sufrir LESIONES GRAVES o MORIR como consecuencia del cierre de la puerta del garaje.

- El sistema de inversión de seguridad DEBE probarse cada mes.
- Después de hacer CUALQUIER ajuste, DEBE probarse el sistema de inversión de seguridad. La puerta DEBE invertir su dirección de movimiento al entrar en contacto con un objeto de 1-1/2" (2 cm) de alto (o de 2x4 colocado plano) sobre el piso.

- 1 Con la puerta abierta en su totalidad, coloque una tabla de 1-1/2 pulg. (3.8 cm) (o una madera de 2x4 colocada horizontalmente) sobre el piso, centrada debajo de la puerta del garaje.



- 2 Presione el botón Push (Pulsar) del control remoto para cerrar la puerta. La puerta DEBE invertir la dirección de movimiento cuando entre en contacto con la tabla.



Si la puerta se detiene, pero no invierte su sentido de movimiento:

1. Repita Programación del recorrido (consulte el Paso 1 de Ajuste);
2. Repita la prueba de Inversión de seguridad.

Si la prueba sigue fallando, llame a un técnico capacitado en sistemas de puertas.

## 6 Prueba del Protector System®

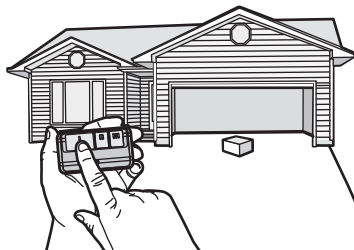
### ⚠ ADVERTENCIA

Sin un sistema de inversión de seguridad instalado de forma correcta, las personas (en particular, los niños pequeños) podrían sufrir GRAVES LESIONES o MORIR como consecuencia del cierre de la puerta del garaje.

- 1 Abra la puerta. Coloque una obstrucción en la trayectoria de la puerta.



- 2 Presione el botón Push (Pulsar) del control remoto para cerrar la puerta. La puerta no se moverá más de una pulgada (2.5 cm).



El abrepuertas de garaje no cerrará con un control remoto si el LED en cualquiera de los sensores de inversión de seguridad está apagado (alerta de que el sensor está mal alineado u obstruido).

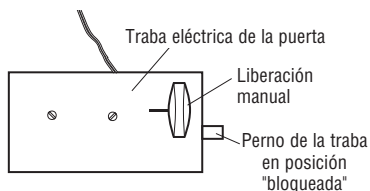
Si el abrepuertas de garaje cierra la puerta cuando el sensor de inversión de seguridad está obstruido (y los sensores no están a más de 6" [15 cm] sobre el suelo), llame a un técnico capacitado en sistemas de puertas.

# Ajuste

## 7 Prueba de la traba eléctrica de la puerta

1. Con la puerta cerrada en su totalidad, compruebe para asegurarse de que el perno de la traba eléctrica quede visible, sobresaliendo a través de la guía.
2. Presione el botón en el control remoto para abrir la puerta de garaje. La traba eléctrica de la puerta debe retraerse antes de que la puerta comience a moverse.
3. Presione el botón en el control remoto para cerrar la puerta de garaje. Cuando la puerta llega a la posición completamente cerrada, la traba eléctrica de la puerta deberá activarse automáticamente para asegurar la puerta.

**NOTA:** La traba eléctrica de la puerta puede liberarse de forma manual si se desliza la manija de liberación manual a la posición de apertura. Sin embargo, si la traba eléctrica de la puerta no funciona, comuníquese con Chamberlain para solicitar un reemplazo.



## 8 Prueba de la liberación de emergencia

### CÓMO ABRIR LA PUERTA DE FORMA MANUAL

1. Cierre la puerta del garaje. Deslice la manija de liberación manual en la traba eléctrica de la puerta para abrirla, antes de seguir adelante.
2. Tire hacia abajo de la manija de liberación de emergencia hasta que oiga un chasquido.
3. Levante la puerta manualmente.

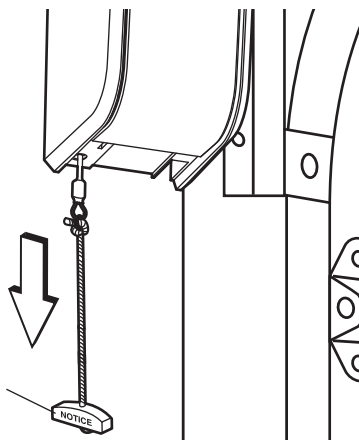
### CÓMO RECONECTAR LA PUERTA AL ABREPUERTAS DE GARAJE:

1. Tire hacia abajo de la manija de liberación de emergencia hasta que oiga un chasquido. La puerta se reconectará en la próxima operación de movimiento de SUBIDA o BAJADA.

## ⚠ ADVERTENCIA

Siga las siguientes indicaciones para evitar posibles LESIONES GRAVES o la MUERTE por la caída de la puerta de garaje:

- De ser posible, use la manija de liberación de emergencia para soltar la puerta SOLO cuando la puerta de garaje esté CERRADA. Los resortes débiles o rotos o una puerta no balanceada podrían causar que la puerta caiga rápido o de forma repentina.
- NUNCA use la manija de liberación de emergencia a menos que no haya personas ni obstrucciones en la puerta de garaje.



# INSTRUCCIONES IMPORTANTES DE SEGURIDAD

## ADVERTENCIA

### Siga las siguientes indicaciones para reducir el riesgo de LESIONES GRAVES o la MUERTE:

1. Lea y siga todas las advertencias e instrucciones.
2. Mantenga SIEMPRE los controles remotos fuera del alcance de los niños. NUNCA permita que los niños operen o jueguen con los botones pulsadores del control de la puerta de garaje o los controles remotos.
3. SOLO active la puerta de garaje cuando pueda verse con claridad, esté correctamente ajustada y no haya obstrucciones al recorrido de la puerta.
4. Mantenga SIEMPRE la puerta de garaje en vista y lejos de personas y objetos hasta que esté completamente cerrada. NADIE DEBE PASAR POR EL RECORRIDO DE UNA PUERTA EN MOVIMIENTO.
5. NADIE DEBE PASAR POR DEBAJO DE UNA PUERTA DETENIDA, PARCIALMENTE ABIERTA.
6. De ser posible, use la manija de liberación de emergencia para soltar la puerta SOLO cuando la puerta de garaje esté CERRADA. Tenga cuidado al utilizar esta liberación con la puerta abierta. Los resortes débiles o rotos o una puerta no balanceada podrían causar que la puerta caiga rápido o de forma repentina y aumentar el riesgo de LESIÓN GRAVE o MUERTE.
7. NUNCA use la manija de liberación de emergencia a menos que no haya personas ni obstrucciones en la puerta de garaje.
8. NUNCA use la manija de liberación de emergencia para abrir o cerrar la puerta del garaje. Si se desata el nudo de la cuerda, podría caerse.
9. Después de hacer CUALQUIER ajuste, DEBE probarse el sistema de inversión de seguridad.
10. El sistema de inversión de seguridad DEBE probarse cada mes. La puerta DEBE invertir la marcha al contacto con un objeto de 1-1/2" (3.8 cm) de alto (o una madera 2x4 colocada plana) en el piso. Si no se ajusta correctamente el abrepuertas de garaje, aumenta el riesgo de ocasionar LESIONES GRAVES o la MUERTE.
11. SIEMPRE MANTENGA LA PUERTA DE GARAJE CORRECTAMENTE EQUILIBRADA. Una puerta mal balanceada podría NO invertirse cuando sea necesario y causar LESIONES GRAVES o la MUERTE.
12. Un técnico capacitado en sistemas de puertas DEBE realizar TODAS las reparaciones a cables, conjuntos de resortes y otros herrajes; TODOS están bajo tensión EXTREMA.
13. SIEMPRE desconecte la alimentación eléctrica del abrepuertas de garaje ANTES de hacer CUALQUIER reparación o de quitar cubiertas.
14. Este sistema de apertura de puertas de garaje está equipado con una característica de funcionamiento sin supervisión. La puerta podría moverse de forma inesperada. NADIE DEBE CRUZARSE POR EL CAMINO DE LA PUERTA EN MOVIMIENTO.
15. **GUARDE ESTAS INSTRUCCIONES.**

# Funcionamiento

## Uso de su abrepuertas de garaje

### FUNCIONES

Su abrepuertas de garaje está equipado con funciones que le brindan un mayor control sobre el funcionamiento de la puerta de su garaje.

#### Alert2Close

La función Alert2Close proporciona una alerta visual y audible de que se está cerrando una puerta sin supervisión.

#### TEMPORIZADOR DE CIERRE (TTC)

La función TTC cierra la puerta de forma automática después de un período de tiempo especificado que puede ajustarse mediante un control de puerta habilitado para TTC (Control multifunción para pared). Antes y durante el cierre de la puerta, las luces del abrepuertas de garaje parpadearán y este emitirá un pitido. Se debe instalar una luz LED inteligente para utilizar el TTC o myQ para controlar la puerta.

#### myQ

myQ le da control del abrepuertas de garaje desde su dispositivo móvil o computadora dondequiera que esté. La tecnología myQ utiliza una señal de 900 Mhz para proporcionar comunicación de dos vías entre el abrepuertas de garaje y accesorios compatibles con myQ. El abrepuertas de garaje tiene una puerta de enlace interna que permite que el abrepuertas de garaje se comuniquen de forma directa con una red Wi-Fi de la casa y acceda a su cuenta myQ.

### CAPACIDAD DE MEMORIA

ACCESORIOS SECURITY+ 2.0	CAPACIDAD DE MEMORIA
Controles remotos	Hasta 40
Controles de la puerta	Hasta 2 paneles de control inteligentes o 4 de cualquier otro control de puerta Security+ 2.0
Ingresos sin llave	Hasta 4
Accesorios myQ	Hasta 16

### EL PROTECTOR SYSTEM (SENSORES DE INVERSIÓN DE SEGURIDAD)

Cuando estén conectados y alineados correctamente, los sensores de inversión de seguridad detectarán una obstrucción en el camino del haz infrarrojo. Si una obstrucción interrumpe el haz infrarrojo mientras la puerta se cierra, esta se detendrá y retrocederá hasta la posición de apertura total. Si la puerta está completamente abierta y los sensores de inversión de seguridad no están instalados o están desalineados, la puerta no se cerrará con un control remoto. Sin embargo, puede cerrar la puerta si mantiene presionado el botón en el control de la puerta o entrada sin llave hasta que la puerta quede cerrada en su totalidad. Los sensores de inversión de seguridad no afectan el ciclo de apertura. Para obtener más información, consulte la página 9.

#### LUCES

La luz del abrepuertas de garaje se encenderá cuando el abrepuertas esté inicialmente enchufado, se restaure la alimentación después de la interrupción o cuando se active el abrepuertas de garaje. La luz se apagará automáticamente después de 4-1/2 minutos.

### USO DE SU ABREPUERTAS DE GARAJE

El abrepuertas de garaje puede activarse por medio de un control montado en la pared, control remoto, entrada inalámbrica sin llave o accesorio myQ. Cuando la puerta está cerrada y el abrepuertas de garaje se activa, se abrirá la puerta. Si la puerta entra en contacto con una obstrucción o su movimiento se interrumpe durante la apertura, la puerta se detendrá, el abrepuertas emitirá un pitido y las luces parpadearán 5 veces. Cuando la puerta está en cualquier posición diferente de la posición cerrada y el abrepuertas de garaje está activado, se cerrará la puerta. Si el abrepuertas de garaje entra en contacto con un obstáculo mientras se cierra, la puerta dará marcha atrás. Sin embargo, puede cerrar la puerta si mantiene el botón en el control de la puerta o el teclado numérico inalámbrico hasta que la puerta quede completamente cerrada. Los sensores de inversión de seguridad no afectan el ciclo de apertura. El sensor de inversión de seguridad debe estar conectado y alineado de forma correcta antes de que el abrepuertas de garaje pueda moverse en la dirección de bajada.

### BATERÍA DE RESPALDO

El sistema de batería de respaldo permite la entrada y salida de su garaje, incluso cuando no haya energía. Cuando el abrepuertas de garaje funcione con la energía de la batería, el abrepuertas de garaje funcionará más lento, la luz no funcionará, el LED de estado de la batería se iluminará en color naranja constante y sonará un pitido aproximadamente cada 2 segundos.

# Funcionamiento

## Conexión con su smartphone

Este abrepuertas de garaje a WIFI® es compatible con hasta 16 accesorios habilitados con myQ® que se pueden controlar mediante la aplicación myQ®.

### Necesitará lo siguiente:

- Wi-Fi habilitado en un smartphone, una tableta o una computadora portátil
- Conexión a Internet de banda ancha
- Señal Wi-Fi en el garaje (**se requiere 2.4 GHz, 802.11b/g/n**) (consulte la página 3)
- Contraseña para su internet doméstica (la cuenta principal del enrutador, no la red de invitados)
- Número de serie de myQ ubicado en el abrepuertas de garaje

## CÓMO SINCRONIZAR EL CONTROL DE LA PUERTA

Para sincronizar el control de la puerta con el abrepuertas de garaje, presione la barra de empuje hasta que el abrepuertas de garaje se active (puede requerir presionarlo 3 veces). El abrepuertas de garaje debe funcionar durante un ciclo completo para poder activar la programación Wi-Fi.

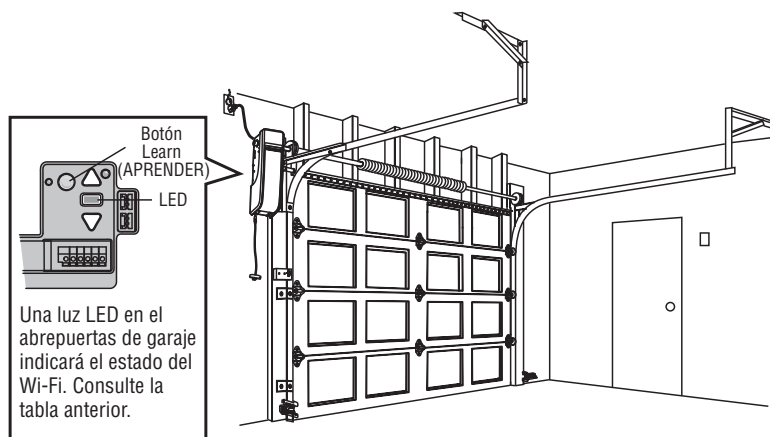
## DESCARGUE LA APLICACIÓN myQ PARA CREAR UNA CUENTA Y CONECTARSE

Abra y cierre su puerta, reciba alertas y establezca horarios desde cualquier lugar. Los abrepuertas de garaje inteligentes conectados también reciben actualizaciones de software para garantizar que tengan las funciones más recientes.

1. Descargue la aplicación myQ.
2. Cree una cuenta y conéctese.

**Para obtener más información sobre la conexión de su abrepuertas de garaje, visite [support.chamberlaingroup.com](http://support.chamberlaingroup.com).**

Estado del Wi-Fi	
LED	Definición
Azul	<b>Apagado:</b> el Wi-Fi no está encendido. <b>Parpadeante:</b> el abrepuertas de garaje está en el modo learn (aprender) del Wi-Fi. <b>Constante:</b> dispositivo móvil conectado al abrepuertas de garaje.
Azul y verde	<b>Parpadeante:</b> intentando conectarse al enrutador.
Verde	<b>Parpadeante:</b> intentando conectarse al servidor de Internet. <b>Constante:</b> se configuró el Wi-Fi y el abrepuertas de garaje está conectado a Internet.



### NOTAS:

El control por smartphone myQ NO funcionará si el abrepuertas de garaje está funcionando con la energía de la batería.

Para borrar los ajustes de Wi-Fi, consulte la página 17.

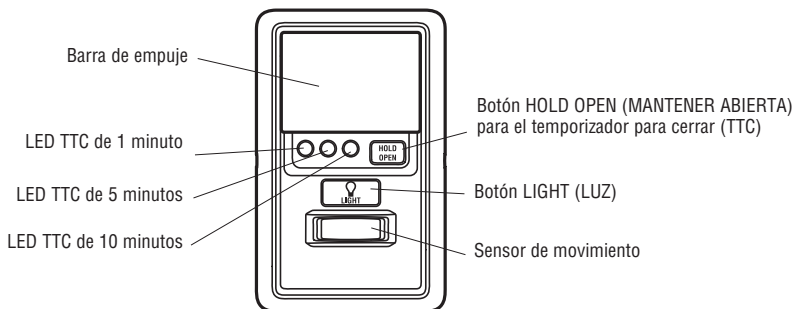
**Si necesita ayuda para agregar dispositivos a su cuenta myQ, o para obtener más información, vaya a [support.chamberlaingroup.com](http://support.chamberlaingroup.com).**

# Funcionamiento

## Uso del control de la puerta

### SINCRONIZACIÓN DEL CONTROL DE LA PUERTA

Para sincronizar el control de la puerta con el abrepuertas de garaje, presione el botón pulsador hasta que el abrepuertas de garaje se active (puede requerir presionarlo 3 veces). Pruebe el control de la puerta presionando la barra de empuje; cada vez que presione la barra de empuje se activará el abrepuertas de garaje.



### FUNCIÓN

### CÓMO USARLA

#### BARRA DE EMPUJE

Presione la barra de empuje para abrir/cerrar la puerta.

#### TRABA

Diseñada para impedir la operación de la puerta desde controles remotos de mano. Sin embargo, la puerta se abrirá y cerrará desde el control de la puerta, el teclado numérico y la aplicación myQ®.

**Activación:** Mantenga presionado el botón LOCK (TRABAR) durante 2 segundos. El LED de comando parpadeará siempre y cuando la función de traba esté activada y su control remoto de mano no operará la puerta en este momento.

**Desactivación:** Mantenga presionado el botón LOCK (TRABAR) nuevamente durante 2 segundos. El LED de comando dejará de parpadear y se reanudará el funcionamiento normal.

#### SENSOR DE MOVIMIENTO

Esta función encenderá de forma automática las luces del abrepuertas de garaje al detectarse movimiento. Las luces se encenderán durante 4-1/2 minutos, y luego se apagarán.

#### Activación/Desactivación:

Deslice el interruptor del sensor de movimiento a la posición ON u OFF (encendido o apagado).

#### TEMPORIZADOR DE CIERRE (TTC)

La función TTC cierra la puerta automáticamente después de un período de tiempo especificado (1, 5 o 10 minutos). Una vez establecido el TTC y la puerta esté abierta, el LED para el intervalo de cierre seleccionado parpadeará y comenzará la cuenta regresiva para cerrar la puerta. El panel de control emitirá un pitido y las luces del abrepuertas de garaje parpadearán antes de cerrarse la puerta.

**Activación:** Mantenga presionado el botón ON (ENCENDER) hasta que se ilumine una de las luces LED del TTC. Luego, presione el botón ON (ENCENDER) una vez más para pasar cíclicamente por las opciones del intervalo de tiempo (el LED correspondiente del TTC se iluminará para cada intervalo de tiempo). Las bombillas del abrepuertas de garaje parpadearán a modo de confirmación.

**Desactivación:** Mantenga presionado el botón OFF (APAGAR) hasta que se apaguen todos los LED del TTC y se oiga un pitido desde el panel de control.

La función TTC se desactivará si la puerta de garaje encuentra una obstrucción dos veces; o si los sensores de inversión de seguridad están instalados incorrectamente. La puerta de garaje se abrirá en sentido inverso y NO SE CERRARÁ hasta que no haya más obstrucciones o hasta que se hayan instalado correctamente los sensores de inversión de seguridad. Una vez que se quite la obstrucción o se alineen los sensores de inversión de seguridad, la puerta se cerrará al activar el abrepuertas de garaje.

**Para suspender el TTC, haga lo siguiente:** Para suspender el TTC y mantener la puerta temporalmente abierta, presione y suelte el botón HOLD OPEN (MANTENER ABIERTA) (el LED HOLD OPEN [MANTENER ABIERTA] permanecerá iluminado de manera constante). El TTC permanecerá suspendido hasta que se vuelva a presionar el botón HOLD OPEN (MANTENER ABIERTA) o el abrepuertas de garaje se active desde otro dispositivo (control de puerta, control remoto, teclado numérico, etc.).

**NOTA:** La luz debe estar programada en el operador para que el temporizador de cierre o la aplicación myQ® puedan cerrar la puerta sin vigilancia.

# Funcionamiento

## Cómo usar el control de la puerta (continuación)

### FUNCIÓN

#### LUCES:

Presione el botón LIGHT (LUZ) para encender o apagar las luces del abrepuertas de garaje. Cuando se enciendan las luces, permanecerán encendidas hasta que se vuelva a presionar el botón LIGHT (LUZ) o hasta que se active el abrepuertas de garaje. Una vez activado el abrepuertas de garaje, las luces se apagarán después de un período de tiempo especificado (el ajuste de fábrica es de 4-1/2 minutos). El botón LIGHT (LUZ) no controlará las luces cuando la puerta está en movimiento.

### CÓMO USARLAS:

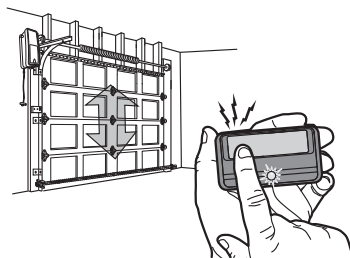
#### PARA CAMBIAR LA CANTIDAD DE TIEMPO QUE PERMANECERÁN ENCENDIDAS LAS LUCES REMOTAS, HAGA LO SIGUIENTE:

Mantenga presionado el botón LOCK (TRABAR) hasta que parpadeen las luces del abrepuertas de garaje. El intervalo de tiempo se indica mediante la cantidad de parpadeos.

CANTIDAD DE VECES QUE PARPADEAN LAS LUCES DEL ABREPUERTAS DE GARAJE	TIEMPO QUE PERMANECE ENCENDIDA LA LUZ DEL ABREPUERTAS DE GARAJE
1	1 ½ minutos
2	2 ½ minutos
3	3 ½ minutos
4	4 ½ minutos

## Cómo usar el control remoto

Mantenga presionado el botón hasta que la puerta o la compuerta comiencen a moverse. En instalaciones típicas, el control remoto funcionará a una distancia de la longitud de 3 automóviles. Las instalaciones y condiciones varían; comuníquese con un distribuidor de instalación para obtener más información.



**AVISO:** Este dispositivo cumple con la parte 15 de las reglas de la FCC y de equipos RSS exentos de licencia de Industry Canada. El funcionamiento está sujeto a las siguientes dos condiciones: (1) este dispositivo no puede causar interferencia dañina y (2) este dispositivo debe aceptar toda interferencia recibida, incluso la que puede causar un funcionamiento indeseado.

Los cambios o las modificaciones a esta unidad que no sean aprobados en forma expresa por la parte responsable del cumplimiento pueden invalidar el permiso del usuario para operar el equipo.

Este dispositivo debe instalarse para asegurarse de mantener una distancia mínima de 20 cm (8 pulg.) entre los usuarios/transeúntes y el dispositivo.

Este dispositivo se ha probado y se ha hallado que cumple con los límites de un dispositivo digital de clase B, de acuerdo con la parte 15 de las reglas de la FCC y de la norma ICES de Industry Canada. Estos límites están diseñados para brindar una protección razonable contra la interferencia dañina en una instalación residencial. Este equipo genera, utiliza y puede emitir energía de radiofrecuencia y, si no se instala y utiliza de acuerdo con las instrucciones, puede provocar interferencias perjudiciales en las radiocomunicaciones. Sin embargo, no existe garantía de que no ocurra interferencia en una instalación en particular. Si este equipo provoca interferencias que afectan a la recepción de radio o televisión, lo cual puede determinarse al apagar y encender el equipo, se recomienda al usuario que intente corregir la interferencia mediante una o más de las siguientes medidas:

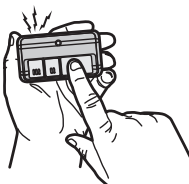
- Cambiar de dirección o de lugar la antena receptora
- Aumentar la separación entre el equipo y el receptor
- Conectar el equipo en un tomacorriente en un circuito diferente de donde esté conectado el receptor
- Consultar al vendedor o a un técnico de radio/TV con experiencia para que lo ayude

# Programación

Su control remoto de mano (modelo 950ESTD) ya se programó en la fábrica para el control de la puerta (panel de control de detección de movimiento). A continuación, se incluyen instrucciones para programar controles remotos **adicionales**, teclados numéricos y accesorios compatibles con myQ® al control de la puerta.

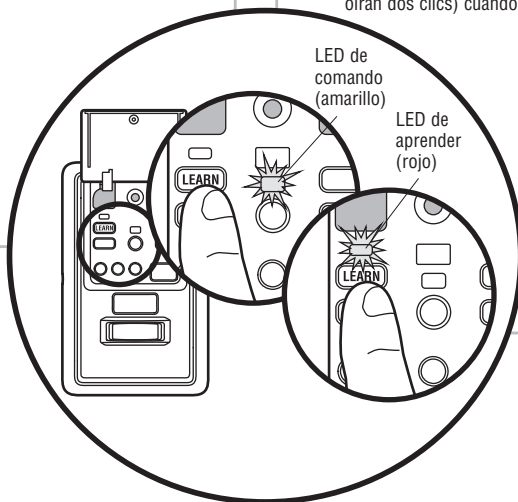
## CONTROL REMOTO

1. Presione el botón LEARN (APRENDER) del panel de control dos veces y se encenderá el LED rojo de aprender.
2. Presione el botón del control remoto con el que desee operar su puerta de garaje.
3. Las luces del abrepuertas de garaje parpadearán (o se oirán dos clics) cuando se haya programado el código.



## TECLADO NUMÉRICO MODELO 940ESTD

1. Presione el botón LEARN (APRENDER) del panel de control dos veces y se encenderá el LED rojo de aprender.
2. Ingrese en el teclado numérico un número de identificación personal (PIN) de 4 dígitos que usted elija. Luego, presione el botón ENTER (INGRESAR).
3. Las luces del abrepuertas de garaje parpadearán (o se oirán dos clics) cuando se haya programado el código.



? ? ? ?  
PIN



# Programación

## Programación de la luz LED inteligente

La luz remota de su abrepuertas de garaje ya ha sido programada en la fábrica para que funcione con su abrepuertas. Será necesario programar cualquier luz remota adicional o de reemplazo.

### CÓMO PROGRAMAR UN ABREPUERTAS A LA LUZ LED INTELIGENTE

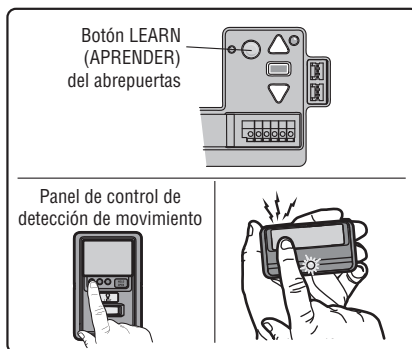
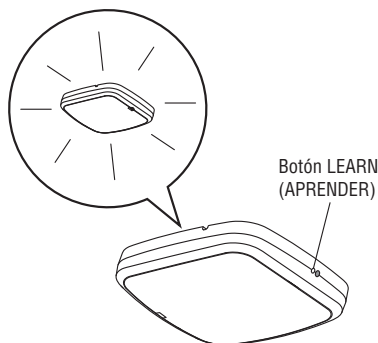
1. Presione el botón LEARN (APRENDER) en la luz hasta que el LED verde se ENCIENDA.
2. Pulse el botón LEARN (APRENDER) del abrepuertas. **O BIEN**, En el Smart Control Panel<sup>®</sup>, vaya a Menu (Menú) > Program (Programar) > myQ Accessory (Accesorio myQ).
3. El código estará programado cuando la luz remota parpadee una vez.

### CÓMO AÑADIR LA LUZ LED INTELIGENTE A LA CUENTA myQ

1. Presione el botón LEARN (APRENDER) en la luz hasta que el LED verde se ENCIENDA.
2. Ingrese a la aplicación myQ y añada la luz LED inteligente.

### CÓMO ELIMINAR TODA LA PROGRAMACIÓN DE LA LUZ LED INTELIGENTE

1. Mantenga presionado el botón LEARN (APRENDER) hasta que se apague el LED (entre 6 a 10 segundos). Se borró toda la programación.



## Cómo borrar la memoria

### CÓMO BORRAR TODOS LOS CONTROLES REMOTOS Y ENTRADAS SIN LLAVE

1. Mantenga presionado el botón LEARN (APRENDER) en el abrepuertas de garaje hasta que se apague el LED Learn (Aprender) (aproximadamente 6 segundos). Se borran todos los códigos del control remoto y de entrada sin llave. Vuelva a programar cualquier accesorio que desee utilizar.

### CÓMO BORRAR TODOS LOS DISPOSITIVOS (incluidos los accesorios compatibles con myQ)

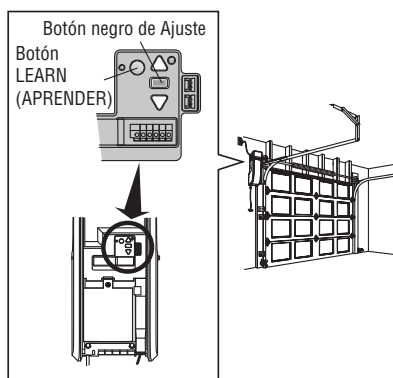
1. Mantenga presionado el botón LEARN (APRENDER) en el abrepuertas de garaje hasta que se apague el LED Learn (Aprender) (aproximadamente 6 segundos).
2. Inmediatamente mantenga presionado el botón LEARN (APRENDER) una vez más hasta que se apague el LED de aprender. Se borran todos los códigos. Vuelva a programar cualquier accesorio que desee utilizar.

### CÓMO BORRAR LA RED WI-FI DEL ABREPUERTAS DE GARAJE

1. Mantenga presionado el botón negro de ajuste en el abrepuertas de garaje hasta que oiga 3 pitidos (aproximadamente 6 segundos).

### CÓMO BORRAR UNA CUENTA myQ

Visite [support.chamberlaingroup.com](http://support.chamberlaingroup.com) para eliminar su cuenta myQ.



# Programación

## HomeLink®

En el raro caso de que el sistema HomeLink no se programe con el abrepuertas de garaje Security + 2.0, usted debe instalar un kit repetidor. Consulte las instrucciones de HomeLink a continuación.

HomeLink es el sistema integrado en el vehículo. La imagen utilizada es de referencia solamente y su producto podría tener una apariencia diferente.

### CUÁNDO INSTALAR UN KIT REPETIDOR HOMELINK

Todos los vehículos del 2006 y anteriores: se requiere un kit repetidor que el propietario debe comprar.

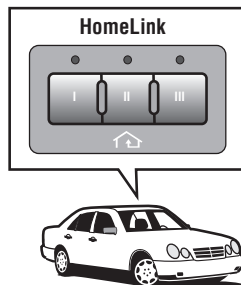
Todos los vehículos del 2007 y posteriores: programe el HomeLink de acuerdo con las instrucciones del vehículo. Si después de intentar programar UNA vez el HomeLink para el abrepuertas de garaje usted no tuvo éxito, entonces debe instalar un repetidor.

### CÓMO ORDENAR

Solicite el kit repetidor HomeLink a un instalador o llame al 1-800-355-3515. Para programar el kit repetidor HomeLink, consulte las instrucciones proporcionadas en el kit o visite <http://www.homelink.com/program>.

### DATOS BÁSICOS SOBRE EL AJUSTE

- Solo se requiere un kit repetidor por hogar.
- Utilice diferentes botones de HomeLink en el vehículo si programa varios automóviles; botón 1 para el primer automóvil, botón 2 para el segundo, etc.
- El control remoto HomeLink NO es un abrepuertas de garaje.
- Si está utilizando el repetidor HomeLink con un abrepuertas de garaje que tiene un sistema de batería de respaldo, asegúrese de que el control remoto original del abrepuertas de garaje esté programado para el abrepuertas de garaje y colóquelo en su guantera para usarlo en caso de un corte de la corriente eléctrica.
- El control remoto incluido en este kit repetidor DEBE conservarse para una programación futura (vehículo nuevo, abrepuertas de garaje nuevo, etc.).



Kit de repetidor

# Mantenimiento

## Cuidados de su abrepuertas de garaje

### PROGRAMA DE MANTENIMIENTO

#### MENSUAL

- Opere la puerta manualmente. Si no está balanceada o está atascada, llame a un técnico capacitado en sistemas de puertas.
- Verifique que la puerta se abra y cierre completamente. Ajuste los límites si es necesario (consulte el paso 1 de Ajuste).
- Repita la prueba de inversión de seguridad. Realice los ajustes necesarios (consulte el paso 2 de Ajuste).

#### ANUAL

- Engrase los rodillos, los cojinetes y las bisagras de las puertas. El abrepuertas de garaje no requiere lubricación adicional. No engrase las guías de la puerta.

#### Luz LED inteligente

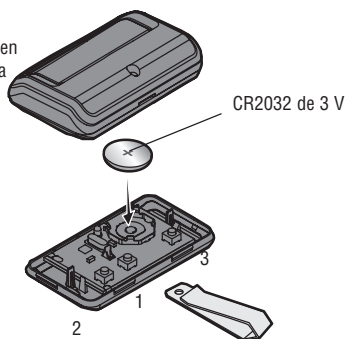
- Desenchufe la luz antes de limpiar.
- Utilice un paño ligeramente humedecido para limpiar.
- NO utilice limpiadores líquidos en la lente de luz.

### BATERÍA DEL CONTROL REMOTO

Las luces LED del control remoto dejarán de parpadear cuando la batería esté baja y deba reemplazarse. Para reemplazar la batería, abra la caja como se muestra. Inserte la batería con el lado positivo (+) para arriba.

Reemplace la batería con baterías de botón CR2032 de 3 V solamente. Deseche la batería agotada de forma correcta.

Haga palanca en el medio primero para abrir la caja (1), luego en cada lado (2 y 3) con la presilla de la visera.



## ⚠ ADVERTENCIA

Siga las siguientes indicaciones para evitar posibles LESIONES GRAVES o la MUERTE:

- NUNCA permita que los niños pequeños se acerquen a las baterías.
- Si alguien ingiere una batería, llame inmediatamente al médico.

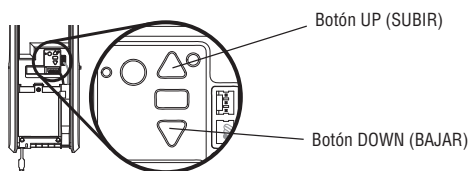
Para reducir el riesgo de incendio, explosión o quemaduras químicas:

- Reemplace ÚNICAMENTE con baterías de botón CR2032 de 3 V.
- NO recargue, desmonte, caliente por encima de 212 °F (100 °C) ni incinere.

# Resolución de problemas

## Tabla de diagnóstico

Su abrepuertas de garaje está programado con funciones de autodiagnóstico. Las flechas UP (SUBIDA) y DOWN (BAJADA) en el abrepuertas de garaje parpadearán e indicarán los códigos de diagnóstico.



CÓDIGO DE DIAGNÓSTICO		SÍNTOMA	SOLUCIÓN
Parpadeo(s) de flecha de subida	Parpadeo(s) de flecha de bajada		
1	1	El abrepuertas de garaje no se cerrará.	Los sensores de seguridad no están instalados, conectados o los cables podrían estar cortados. Inspeccione los cables del sensor en busca de un cable desconectado o cortado.
1	2	El abrepuertas de garaje no se cerrará.	Hay un cable en cortocircuito o invertido en los sensores de seguridad. Inspeccione el cable del sensor de seguridad en todos los puntos de conexión y grapas y sustituya el cable o corrijalo según sea necesario.
1	3	El control de la puerta no funcionará.	Los cables del control de la puerta están en cortocircuito o el control de la puerta está averiado. Inspeccione los cables de control de la puerta en todos los puntos de conexión y grapas y reemplace el cable o corrijalo según sea necesario.
1	4	El abrepuertas de garaje no se cerrará, y las luces parpadearán.	Los sensores de seguridad no están alineados o tuvieron una obstrucción momentánea. Vuelva a alinear ambos sensores hasta que ambos LED posean una luz fija y no parpadéen. Asegúrese de que nada cuelgue ni esté montado sobre la puerta que pueda interrumpir el camino de los sensores mientras se cierra.
1	5	La puerta se mueve 6-8" (15-20 cm) y se detiene o retrocede.	Abra y cierre la puerta de forma manual. Verifique si se atora o si hay obstrucciones, como un resorte roto o una traba en la puerta, y corrija según corresponda. Verifique las conexiones de cableado en el módulo de desplazamiento y en la tarjeta lógica. Reemplace el módulo de desplazamiento de ser necesario.
		No hay movimiento, solo se oye un clic.	Abra y cierre la puerta de forma manual. Verifique si se atora o si hay obstrucciones, como un resorte roto o una traba en la puerta, y corrija según corresponda. Reemplace la tarjeta lógica de ser necesario.
		El abrepuertas emite un ruido por 1-2 segundos y no se mueve.	Abra y cierre la puerta de forma manual. Verifique si se atora o si hay obstrucciones, como un resorte roto o una traba en la puerta, y corrija según corresponda. Reemplace el motor de ser necesario.
1	6	La puerta rueda después de detenerse por completo.	Programa el recorrido hasta la posición en la que rueda o haga que un técnico capacitado balancee la puerta.
2	1-5	No hay movimiento ni sonido.	Reemplace la tarjeta lógica.
3	1	El abrepuertas de garaje se mueve ligeramente y, luego, se detiene.	Vuelva a activar el abrepuertas de garaje. Si el problema persiste, reemplace la tarjeta lógica.
3	3	El LED de estado de la batería está parpadеando constantemente en verde.	Error en el circuito de carga de la batería de respaldo, reemplace la tarjeta lógica.
3	5	La puerta del garaje no se cierra. La puerta retrocede solo en el sentido de cierre.	<ul style="list-style-type: none"> <li>• Compruebe que el CTM Learn sea adecuado para la instalación.</li> <li>• Compruebe si hay posibles obstrucciones en la puerta y quítelas.</li> <li>• Sustituya los CTM defectuosos por CTM en buen estado para borrar el código de error (consulte el accesorio CTM opcional).</li> </ul>
4	1-4	La puerta se mueve, se detiene o retrocede. Se emiten pitidos desde el abrepuertas y las luces parpadеan.	Abra y cierre la puerta de forma manual. Verifique si se atora o si hay obstrucciones, como un resorte roto o una traba en la puerta, y corrija según corresponda. Si la puerta se atasca o se adhiere, llame a un técnico capacitado en sistemas de puertas. Si la puerta no se atasca ni traba, intente reprogramar el recorrido.
4	5	La puerta se mueve 6-8" (15-20 cm) y se detiene o retrocede.	Error de comunicación en el módulo de desplazamiento. Verifique las conexiones del módulo de desplazamiento y reemplácelo de ser necesario.
4	6	El abrepuertas de garaje no se cerrará, y las luces parpadеarán.	Los sensores de seguridad no están alineados o tuvieron una obstrucción momentánea. Vuelva a alinear ambos sensores hasta que ambos LED posean una luz fija y no parpadеen. Asegúrese de que nada cuelgue ni esté montado sobre la puerta que pueda interrumpir el camino de los sensores mientras se cierra.
5	5	La puerta no se cerrará al utilizar el Temporizador de cierre o el control por smartphone myQ.	Se debe instalar una luz LED inteligente para utilizar el TTC o myQ para controlar la puerta. Enchufe la luz LED inteligente y asegúrese de que esté programada para el abrepuertas de garaje.

# Resolución de problemas

## Resolución de problemas adicionales

### El abrepuertas de garaje no funciona ni con el control de la puerta ni con el control remoto:

- ¿Tiene energía eléctrica el abrepuertas de garaje? Enchufe una lámpara en el tomacorriente. Si no se enciende, revise la caja de fusibles o el disyuntor. (Algunos enchufes están controlados por un interruptor de pared).
- ¿Desactivó todas las trabas de la puerta? Revise las advertencias de las instrucciones de instalación en la página 8.
- ¿Las conexiones de cableado son correctas? Revise el paso 5 de Instalación.
- ¿Hay acumulación de hielo o nieve debajo de la puerta? La puerta puede estar congelada pegada al suelo. Elimine cualquier restricción.
- El resorte de la puerta del garaje puede estar roto. Reemplácelo (consulte la página 3 como referencia).

### El abrepuertas funciona con la estación de control con un solo botón, pero no desde un control remoto:

- Vuelva a programar el control remoto y reemplace la batería en caso de ser necesario. Repita esto con todos los controles remotos.

### La puerta se abre y cierra por sí sola:

- Asegúrese de que todos los botones pulsadores de control estén apagados.
- Quite el cable de dos conductores de las terminales de la estación de control de un solo botón y opere exclusivamente desde el control remoto. Si esto resuelve el problema, la estación de control de un solo botón está defectuosa o hay un cortocircuito intermitente en el cable. Reemplace la estación de control.
- Borre la memoria y re programe todos los controles remotos (consulte las instrucciones brindadas con el control remoto o visite [support.chamberlaingroup.com](http://support.chamberlaingroup.com)).

### Mi control remoto no activa la puerta del garaje:

- Verifique que la función de bloqueo no esté activada en el control de la puerta.
- Vuelva a programar el control remoto.
- Si el control remoto aún no activa la puerta, verifique los códigos de diagnóstico para asegurarse de que el abrepuertas de garaje esté funcionando correctamente.

### El control remoto tiene poco alcance:

- Cambie la ubicación del control remoto en su automóvil.
- Algunas instalaciones pueden tener un alcance más corto debido a una puerta de metal, aislamiento con parte trasera de papel de aluminio o revestimiento de metal del garaje.

### La puerta se detiene o retrocede hasta el límite de apertura y el abridor emite un pitido y las luces parpadean 5 veces:

- ¿Hay algo que obstruya la puerta? ¿No está balanceada o están rotos los resortes? Quite la obstrucción o llame a un técnico capacitado en sistemas de puertas para reparar la puerta.

### La puerta no se abre completamente:

- Revise la traba eléctrica de la puerta.

### La puerta se abre, pero no se cierra:

- El sensor de inversión de seguridad debe estar conectado y alineado de forma correcta antes de que el abrepuertas de garaje se mueva hacia abajo. Si puede cerrar la puerta con presión constante, verifique que los sensores de inversión de seguridad estén instalados de forma correcta, alineados y sin obstrucciones (consulte la página 12).

### Si la puerta invierte su movimiento sin motivo aparente, intente lo siguiente:

- Quite el hielo o la nieve del área del piso del garaje donde se cierra la puerta.
- Repase el paso 1 de Ajuste.

Repita la prueba de inversión de seguridad después de los ajustes.

### Mi puerta no se cierra:

- El sensor de inversión de seguridad debe estar conectado y alineado de forma correcta antes de que el abrepuertas de garaje se mueva hacia abajo.
  - Verifique que los sensores de inversión de seguridad estén correctamente instalados, alineados y sin obstrucciones.

### El abrepuertas de garaje se esfuerza por accionar la puerta:

- La puerta puede no estar balanceada o los resortes pueden estar rotos. Cierre la puerta y use la manija de liberación de emergencia para desconectar la puerta. Abra y cierre la puerta manualmente. Una puerta debidamente equilibrada permanecerá en cualquier punto de su recorrido mientras sus resortes la apoyen completamente. Si no es así, desconecte el abrepuertas de garaje y llame a un técnico capacitado en sistemas de puertas.

### El motor del abrepuertas de garaje hace un sonido brevemente, luego no funciona:

- Los resortes de la puerta del garaje pueden estar rotos. Ver arriba.
- Si el problema ocurre en la primera operación del abrepuertas de garaje, es posible que la puerta esté bloqueada. Desactive la traba eléctrica de la puerta.

### El abrepuertas de garaje no funciona debido a un corte de la energía eléctrica:

- Abra manualmente la traba eléctrica de la puerta.

# Resolución de problemas

## Resolución de problemas adicionales (continuación)

- Utilice la manija de liberación de emergencia para desconectar la puerta. La puerta se puede abrir y cerrar de forma manual. Cuando se restablezca la energía eléctrica, tire de la manija de liberación manual por segunda vez.
- Cuando está en modo de respaldo de batería, el abrepuertas debería poder funcionar hasta 20 veces.
- Desactive cualquier traba de la puerta. Utilice la manija de desbloqueo de emergencia para desconectar la puerta. La puerta se puede abrir y cerrar de forma manual. Cuando se restablezca la energía eléctrica, tire de la manija de liberación manual por segunda vez.
- Al estar en el modo de batería de respaldo, la potencia de la batería durará hasta 30 horas o hasta 20 ciclos durante un período de 24 horas.

### La puerta pierde sus límites:

- El collarín no está bien apretado. Apriete el collarín y vuelva a programar los límites (consulte el paso 3 de Ajuste).

### El abrepuertas de garaje se mueve cuando la puerta está en funcionamiento:

- Un pequeño movimiento es normal para este producto. Si es excesivo, el collarín se desgastará antes de tiempo.
- Verifique para asegurarse de que la barra de torsión no se mueva excesivamente hacia la izquierda o la derecha.
- Verifique que la barra de torsión no se mueva visiblemente hacia arriba y hacia abajo mientras gira.
- Verifique que el abridor esté montado en ángulo recto con el eje. Si no es así, mueva la posición del soporte de montaje.

### El conector de la traba automática de la puerta no se adapta al enchufe del abrepuertas:

Los modelos más antiguos de trabas de puerta de 24 V son incompatibles. Use la traba automática de la puerta modelo 841LM. Consulte la página de Accesorios.

### La traba automática de la puerta del garaje no se activa cuando esta se abre o se cierra:

En el modo de batería de respaldo, la traba automática de la puerta del garaje se desbloqueará cuando se abra la puerta del garaje y permanecerá desactivada hasta que se restablezca la energía.

### El abrepuertas emite un pitido:

- Indica un cierre sin supervisión. El abrepuertas se activó mediante la aplicación myQ o el monitor de garaje y compuerta.
- Un LED naranja constante con un pitido, que suena aproximadamente cada 2 segundos, indica que el abrepuertas está funcionando con la energía de la batería.
- Un LED naranja parpadeante con un pitido que suena cada 30 segundos indica que el nivel de la batería es bajo.
- Un LED rojo constante con un pitido, que suena aproximadamente cada 30 segundos, indica que la batería de 12 V ya no puede retener carga y que debe reemplazarse.

### La puerta del garaje emite un pitido y el LED rojo parpadea:

La carga de la batería es baja o la batería se agotó.

- Reemplace la batería.

### El control por smartphone myQ, los dispositivos inalámbricos myQ y el Temporizador de cierre no funcionan:

- Cuando esté en el modo de respaldo de la batería, el control por smartphone myQ, los dispositivos inalámbricos myQ y el Temporizador de cierre se desactivarán.
- Se debe instalar la luz LED inteligente para habilitar el uso del Temporizador de cierre o el control por smartphone myQ de la puerta. Enchufe la luz LED inteligente y asegúrese de que esté programada para el abrepuertas de garaje. La activación del Temporizador de cierre y del control por smartphone myQ puede tardar hasta 5 minutos.

### Si la puerta se desplaza más rápido o más lento de lo esperado, intente lo siguiente:

- Compruebe que el ajuste del tambor sea el adecuado conforme a los pasos indicados en la página 7 del manual.

### La velocidad de la puerta varía con el recorrido:

- Compruebe que el ajuste del tambor sea el adecuado conforme a los pasos indicados en la página 7 del manual.

### El cable se desenrolla al obstruirse cerca del límite superior

- Si el cable se desenrolla, póngase en contacto con un Distribuidor Profesional de Puertas para su reparación.

**AVISO:** Este dispositivo cumple con la parte 15 de las reglas de la FCC y de equipos RSS extentos de licencia de Innovation, Science and Economic Development Canada. El funcionamiento está sujeto a las siguientes dos condiciones: (1) este dispositivo no puede causar interferencia dañina y (2) este dispositivo debe aceptar toda interferencia recibida, incluso la que puede causar un funcionamiento indeseado.

Los cambios o las modificaciones a esta unidad que no sean aprobados en forma expresa por la parte responsable del cumplimiento pueden invalidar el permiso del usuario para operar el equipo.

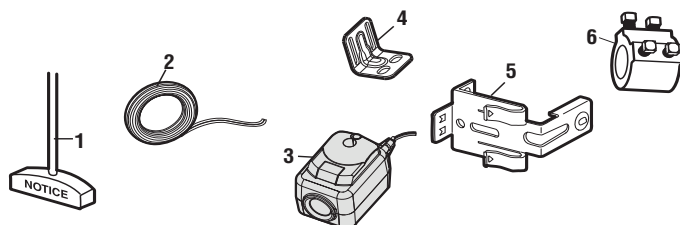
Este dispositivo debe instalarse para asegurarse de mantener una distancia mínima de 20 cm (8 pulg.) entre los usuarios/transeúntes y el dispositivo.

Este dispositivo se ha probado y se ha hallado que cumple con los límites de un dispositivo digital de clase B, de acuerdo con la parte 15 de las reglas de la FCC y de la norma ICES de Industry Canada. Estos límites están diseñados para brindar una protección razonable contra la interferencia dañina en una instalación residencial. Este equipo genera, utiliza y puede emitir energía de radiofrecuencia y, si no se instala y utiliza de acuerdo con las instrucciones, puede provocar interferencias perjudiciales en las radiocomunicaciones. Sin embargo, no existe garantía de que no ocurra interferencia en una instalación en particular. Si este equipo provoca interferencias que afectan a la recepción de radio o televisión, lo cual puede determinarse al apagar y encender el equipo, se recomienda al usuario que intente corregir la interferencia mediante una o más de las siguientes medidas:

- Cambiar de dirección o de lugar la antena receptora
- Aumentar la separación entre el equipo y el receptor
- Conectar el equipo en un tomacorriente en un circuito diferente de donde esté conectado el receptor
- Consultar al vendedor o a un técnico de radio/TV con experiencia para que lo ayude

# Piezas de reparación

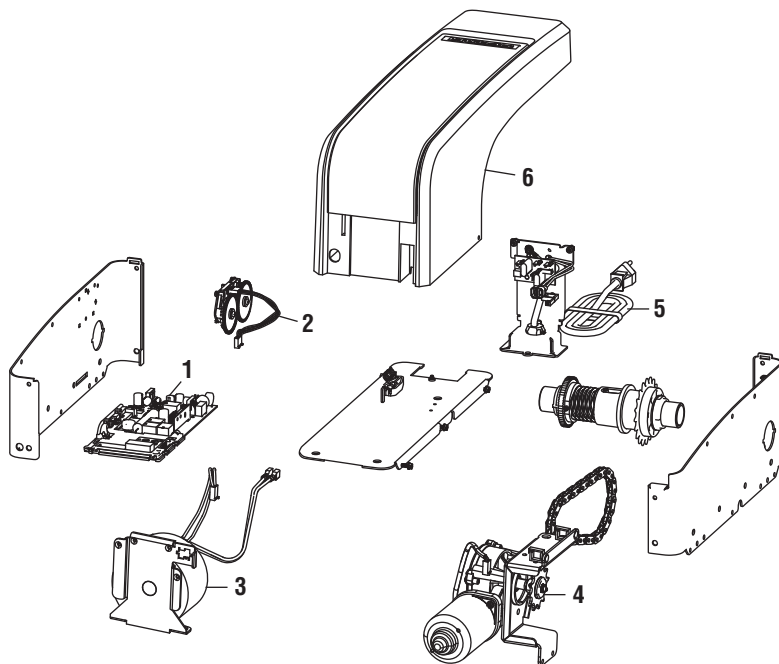
## Piezas de instalación



N.º DE LEYENDA	N.º DE PIEZA	DESCRIPCIÓN	N.º DE LEYENDA	N.º DE PIEZA	DESCRIPCIÓN
1	041A4582	Conjunto de manija y soga de liberación de emergencia	4	041C0902	Soporte de montaje
2	041B4494-1	Cable para timbre de 2 conductores de color blanco y blanco/rojo	5	041-0155-000	Soportes del sensor de inversión de seguridad (2)
3	041-0136	Kit de sensores de inversión de seguridad (sensores receptor y emisor) con cable de timbre de 2 conductores conectado	6	041D8615	Collarín con tornillos de fijación

# Piezas de reparación

## Piezas de ensamblaje del abrepuertas de garaje



N.º DE LEYENDA	N.º DE PIEZA	DESCRIPCIÓN	N.º DE LEYENDA	N.º DE PIEZA	DESCRIPCIÓN
1	041DJ003MC	Tarjeta lógica	5	041D0190	Cable de alimentación
2	041B8861	Módulo de desplazamiento con arnés de cable	6	041-0407-000	Cubierta
3	041C0296	Transformador			<b>NO SE MUESTRA</b>
4	041D1624-2	Motor		041-0408-000	Puerta de la batería y puerta de la tarjeta lógica

## Información de contacto

### ¡DETÉNGASE!

Este abrepuertas de garaje **NO FUNCIONARÁ** hasta que los sensores de inversión de seguridad estén bien instalados y alineados.

Envíe el pedido de piezas de repuesto a:

**The Chamberlain Group, Inc.**  
**6020 S. Country Club Rd.**  
**Tucson, AZ 85706**

Para obtener información de instalación y servicio, visítenos en línea en:

**support.chamberlaingroup.com**

*Antes de llamar, tenga a mano el número de modelo del abrepuertas de garaje. Si llama para resolver un problema, se recomienda que tenga acceso a su abrepuertas de garaje al momento de la llamada. Si quiere pedir una pieza de repuesto, tenga a mano la información siguiente: número de pieza, nombre de la pieza y número de modelo.*



# Accesorios

Explore accesorios y piezas de reparación en [www.Chamberlain.com](http://www.Chamberlain.com).

## G940EV-P2

### Teclado numérico inalámbrico:

Para usar fuera de la casa a fin de permitir el acceso al garaje mediante un PIN de 4 dígitos. Funciona con TODOS los abrepuertas Chamberlain desde el año 1993 hasta el presente. Compatible con myQ®.



## G953EV

### Control remoto de 3 botones:

Incluye presilla de visera.



## G956EV

### Llavero de control remoto

Funciona con TODOS los abrepuertas Chamberlain desde el año 1993 hasta el presente. Compatible con myQ®. Para colgar.



## 041A5281-1

### Soportes de extensión:

(Opcional) Para la instalación de sensores de inversión de seguridad en la pared o el suelo.



## ACCESORIOS INCLUIDOS

## G950ESTD

### Control remoto:

Incluye presilla de visera.



## 041A7327-1

### Panel de control de detección de movimiento



## MYQLED1

### Luz LED inteligente

Permite al propietario encender una luz desde el automóvil con el control remoto del abrepuertas de garaje o desde cualquier lugar de su hogar con un control remoto adicional de Chamberlain®.



## GARANTÍA LIMITADA DE CHAMBERLAIN

Chamberlain Group ("Vendedor") garantiza al primer comprador minorista de este producto, para la residencia en la que este producto se instale originalmente, que no presentará defectos en los materiales o de mano de obra durante un período específico de tiempo, según se define a continuación (el "Período de Garantía"). El período de garantía comienza a partir de la fecha de compra.

PERÍODO DE GARANTÍA			
Piezas	Motor	Accesorios	Batería de respaldo
5 años	Toda la vida	1 año	1 año

El funcionamiento correcto de este producto depende del cumplimiento de las instrucciones relativas a la instalación, el funcionamiento, el mantenimiento y las pruebas. Si esas instrucciones no se cumplen de forma estricta, se anulará por completo la presente garantía limitada.

Si durante el período de garantía limitada, este producto parece tener un defecto que está cubierto por esta garantía limitada, llame a la línea gratuita 1-800-528-9131 antes de desmontar dicho producto. Se le informará sobre las instrucciones de desmontaje y envío cuando llame. Luego envíe el producto o componente, con envío prepago y asegurado como se le instruya, a nuestro centro de servicio para la reparación bajo garantía. Incluya una breve descripción del problema y un recibo de prueba de compra fechado con cualquier producto devuelto para su reparación bajo la garantía. Los productos devueltos al Vendedor para su reparación bajo la garantía, una vez que los reciba el Vendedor y se confirmen como defectuosos y cubiertos por esta garantía limitada, serán reparados o reemplazados (a elección exclusiva del Vendedor) sin costo para usted y devueltos con el envío prepago. Las piezas defectuosas serán reparadas o reemplazadas por piezas nuevas o reconstruidas en fábrica a discreción del Vendedor. [Usted es responsable de los costos incurridos al desinstalar y/o reinstalar el producto o cualquier componente.]

**TODAS LAS GARANTÍAS IMPLÍCITAS PARA EL PRODUCTO, INCLUIDAS, PERO SIN LIMITARSE A, CUALQUIER GARANTÍA IMPLÍCITA DE COMERCIABILIDAD E IDONEIDAD PARA UN PROPÓSITO EN PARTICULAR, TIENEN UNA DURACIÓN QUE SE LIMITA AL PERÍODO DE GARANTÍA LIMITADA APLICABLE ESTABLECIDO ANTERIORMENTE PARA LOS COMPONENTES RELACIONADOS, Y NO EXISTIRÁ NI SE APLICARÁ NINGUNA GARANTÍA IMPLÍCITA DESPUÉS DE DICHO PERÍODO.** Algunos estados y provincias no permiten limitaciones sobre la duración de una garantía implícita, por lo que es posible que la limitación anterior no sea aplicable en su caso. **ESTA GARANTÍA LIMITADA NO CUBRE LOS DAÑOS QUE NO SE DEBAN A DEFECTOS, LOS DAÑOS DEBIDOS A UNA INSTALACIÓN, FUNCIONAMIENTO O CUIDADO INADECUADOS (INCLUIDOS, PERO SIN LIMITARSE A, EL ABUSO, MAL USO, FALTA DEL MANTENIMIENTO RAZONABLE Y NECESARIO, LAS REPARACIONES NO AUTORIZADAS O CUALQUIER ALTERACIÓN DE ESTE PRODUCTO), LOS CARGOS POR REINSTALAR UNA UNIDAD REPARADA O REEMPLAZADA, EL REEMPLAZO DE ARTÍCULOS CONSUMIBLES (POR EJEMPLO, LAS BATERÍAS EN LOS TRANSMISORES DEL CONTROL REMOTO Y LAS BOMBILLAS), O LAS UNIDADES INSTALADAS PARA USO NO RESIDENCIAL. ESTA GARANTÍA LIMITADA NO CUBRE NINGÚN PROBLEMA CON, O RELACIONADO CON, LA PUERTA DEL GARAJE O EL HERRAJE DE LA PUERTA DEL GARAJE, INCLUIDOS, PERO SIN LIMITARSE A, LOS RESORTES DE LA PUERTA, LOS RODILLOS DE LA PUERTA, LA ALINEACIÓN DE LA PUERTA O LAS BISAGRAS. ESTA GARANTÍA LIMITADA TAMPOCO CUBRE NINGÚN PROBLEMA CAUSADO POR LAS INTERFERENCIAS. BAJO NINGUNA CIRCUNSTANCIA, EL VENDEDOR SERÁ RESPONSABLE DE DAÑOS CONSECUENTES, INCIDENTALES O ESPECIALES QUE SURJAN EN RELACIÓN CON EL USO O LA INCAPACIDAD DE USO DE ESTE PRODUCTO. EN NINGÚN CASO LA RESPONSABILIDAD DEL VENDEDOR POR EL INCUMPLIMIENTO DE LA GARANTÍA, EL INCUMPLIMIENTO DEL CONTRATO, LA NEGLIGENCIA O RESPONSABILIDAD ESTRICTA EXCEDERÁ EL COSTO DEL PRODUCTO CUBIERTO POR EL PRESENTE. NINGUNA PERSONA ESTÁ AUTORIZADA A ASUMIR POR NOSOTROS NINGUNA OTRA RESPONSABILIDAD EN RELACIÓN CON LA VENTA DE ESTE PRODUCTO.**

Algunos estados y provincias no permiten la exclusión o limitación de daños emergentes, incidentales o especiales, por lo que es posible que la limitación o exclusión anterior no sea aplicable en su caso. Esta garantía limitada le otorga derechos legales específicos, y también puede tener otros derechos, que varían de estado a estado y de provincia a provincia.

# Guía de seguridad y mantenimiento del abrepuertas de garaje automático

## Seguridad del abrepuertas de garaje: una solución automática

Una puerta de garaje es el objeto móvil más grande de la casa. Una puerta de garaje y un abrepuertas mal ajustados pueden ejercer una fuerza letal cuando la puerta se cierra, lo que podría provocar que niños o adultos queden atrapados y que se produzcan lesiones o la muerte.

La instalación, operación, mantenimiento y prueba adecuados de la puerta del garaje y el abrepuertas automático son necesarios para proporcionar un sistema seguro y sin problemas.

La operación descuidada o permitir que los niños jueguen o usen los controles del abrepuertas de garaje son situaciones peligrosas también que pueden conducir a resultados trágicos. Algunas precauciones simples pueden proteger a su familia y amigos de posibles daños.

Lea atentamente los consejos de seguridad y mantenimiento de este folleto y consérvelo como referencia. Verifique el funcionamiento de la puerta y abrepuertas de su garaje para asegurarse de que funcionen de manera segura y sin problemas.

Asegúrese de leer toda la Información importante de seguridad que se encuentra en el manual del abrepuertas de garaje, ya que este proporciona más detalles y consideraciones de seguridad que los que se pueden proporcionar con este folleto.

## Los abrepuertas de garaje no son juguetes

Hable con sus hijos sobre la seguridad de la puerta del garaje y del abrepuertas. Explique el peligro de quedar atrapado debajo de la puerta.



**Manténgase lejos de una puerta en movimiento.**



**Mantenga los transmisores y controles remotos fuera del alcance de los niños.** No permita que los niños jueguen o utilicen los transmisores u otros dispositivos de control remoto.



**El botón pulsador montado en la pared debe estar fuera del alcance de los niños,** al menos a 5 pies de la superficie de apoyo más cercana y lejos de todas las partes móviles. Monte y use el botón donde pueda ver claramente la puerta del garaje al cerrarse.



**Mantenga la puerta a la vista hasta que se cierre por completo** cuando utilice el botón pulsador o transmisor montado en la pared.

# El mantenimiento de rutina puede prevenir tragedias

Haga que la inspección y prueba mensual de la puerta de su garaje y el sistema de apertura sean parte de su rutina habitual. Revise el manual del propietario tanto para la puerta como para el abrepuertas. Si no tiene los manuales del propietario, comuníquese con el (los) fabricante(s) y solicite una copia para su(s) modelo(s) específico(s). Busque el número de modelo del abrepuertas en la parte posterior de la unidad de alimentación.



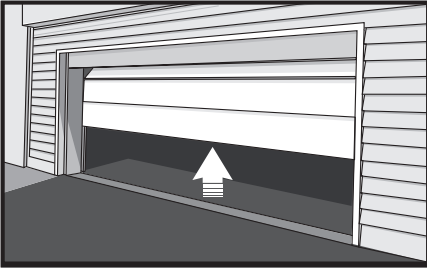
**ADVERTENCIA: Los resortes están sometidos a alta tensión. Solo personas calificadas deben ajustarlos.**

## Verifique visualmente la puerta y la instalación:



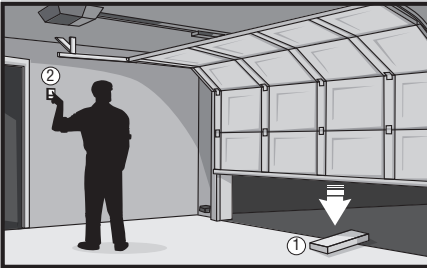
- Comenzando con la puerta en la posición cerrada, use la desconexión manual en el abrepuertas para desconectar la puerta.
- Busque signos de desgaste o daños en las bisagras, rodillos, resortes y paneles de puertas.
- Estas piezas pueden requerir lubricación periódica. Consulte el manual del propietario para obtener información sobre el mantenimiento sugerido.
- Si hay signos evidentes de daño, comuníquese con un técnico capacitado en sistemas de puertas para obtener ayuda.
- Verifique que la altura de la fotocélula no sea superior a 6" desde el piso del garaje.

## Pruebe que la puerta funcione de forma correcta:



- Abra y cierre la puerta manualmente utilizando manijas o puntos de agarre adecuados.
- La puerta debe moverse libremente y sin dificultad.
- **La puerta debe permanecer en equilibrio y parcialmente abierta a 3 o 4 pies sobre el piso.**
- Si detecta algún signo de funcionamiento incorrecto, comuníquese con un técnico capacitado en sistemas de puertas para obtener ayuda.

## Pruebe las características de seguridad del abrepuertas:



- Vuelva a conectar el abrepuertas a la puerta usando la desconexión manual y abra la puerta.
- Coloque una tabla de 2x4 plana en el camino de la puerta (1) e intente cerrarla (2). La puerta debe detenerse cuando entre en contacto con la tabla de 2x4 y luego invertir la dirección de movimiento.
- Bloquee el sensor fotoeléctrico moviendo un objeto frente al sensor e intente cerrar la puerta. La puerta no debe cerrarse a menos que el botón pulsador montado en la pared se mantenga presionado manualmente durante el funcionamiento.
- Si el abrepuertas no funciona como se describe, comuníquese con un técnico capacitado en sistemas de puertas para obtener ayuda.